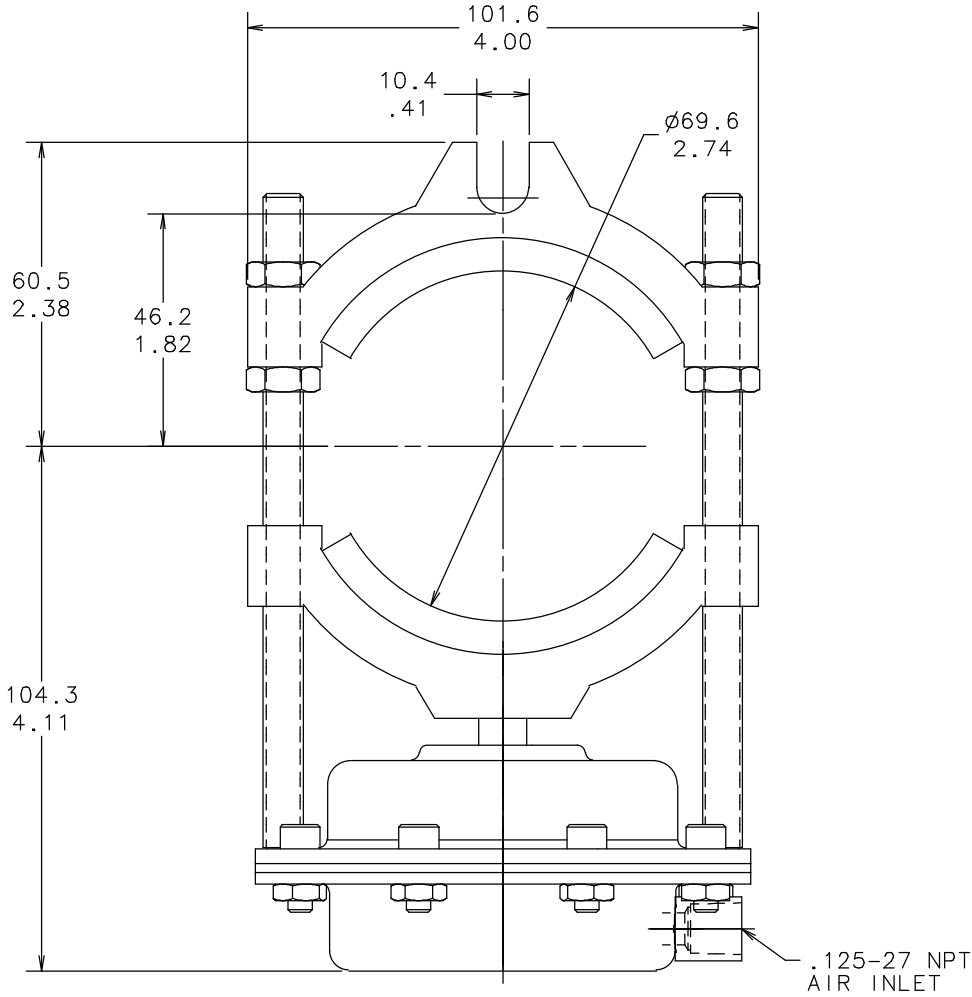
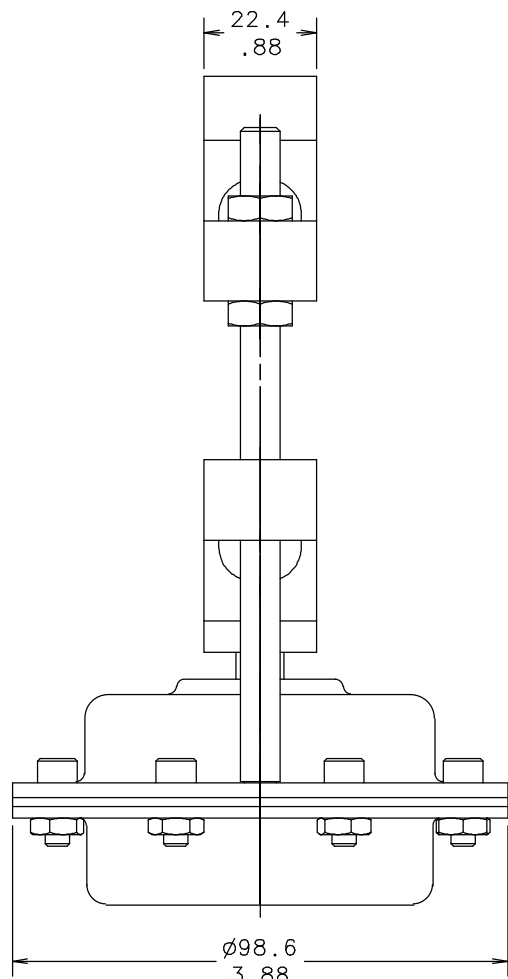


B-841600S



GEOMETRIC TOLERANCE VALUES		THIRD ANGLE PROJECTION	
MM	INCH		
.013	.0005		
.03	.001	SURFACE ROUGHNESS VALUES	
.05	.002		
.08	.003	$\mu\text{m}$	$\mu\text{in}$
.13	.005	6.3	250
.20	.008	3.2	125
.25	.010	1.6	63
.38	.015	0.8	32
		0.4	16
		0.2	8

- UNLESS OTHERWISE SPECIFIED
1. SURFACE TEXTURE:  $\checkmark$
  2. METRIC TOLERANCES: X  $\pm 0.8$ ; .X  $\pm 0.5$ ; .XX  $\pm 0.13$
  3. INCH TOLERANCES: .XX  $\pm 0.02$ ; .XXX  $\pm 0.005$
  4. ANGLES  $\pm .5^\circ$
  4. PRIMARY DIMENSIONS ARE IN MM  
SECONDARY DIMENSIONS ARE IN INCHES
  5. REMOVE ALL BURRS AND SHARP EDGES
  6. DO NOT SCALE DWG - WORK TO DIMS
  7. PART MUST CONFORM TO ENGINEERING STANDARD WORK INSTRUCTIONS

		Nexen Group, Inc.			
TITLE GENERAL DIMENSIONS					
MODEL J BRAKE					
MATL		B	17888		03-05-07
MATL #		REV	ECO	ERO	DATE
DWN	CDV	DATE	02-26-07	SCALE: NONE <input checked="" type="checkbox"/> WAS B-841600S-A	
CHKD	JEH	DATE	02-26-07	SHEET 1 OF 1	
APVD	TWK	DATE	02-26-07	B-841600S B	