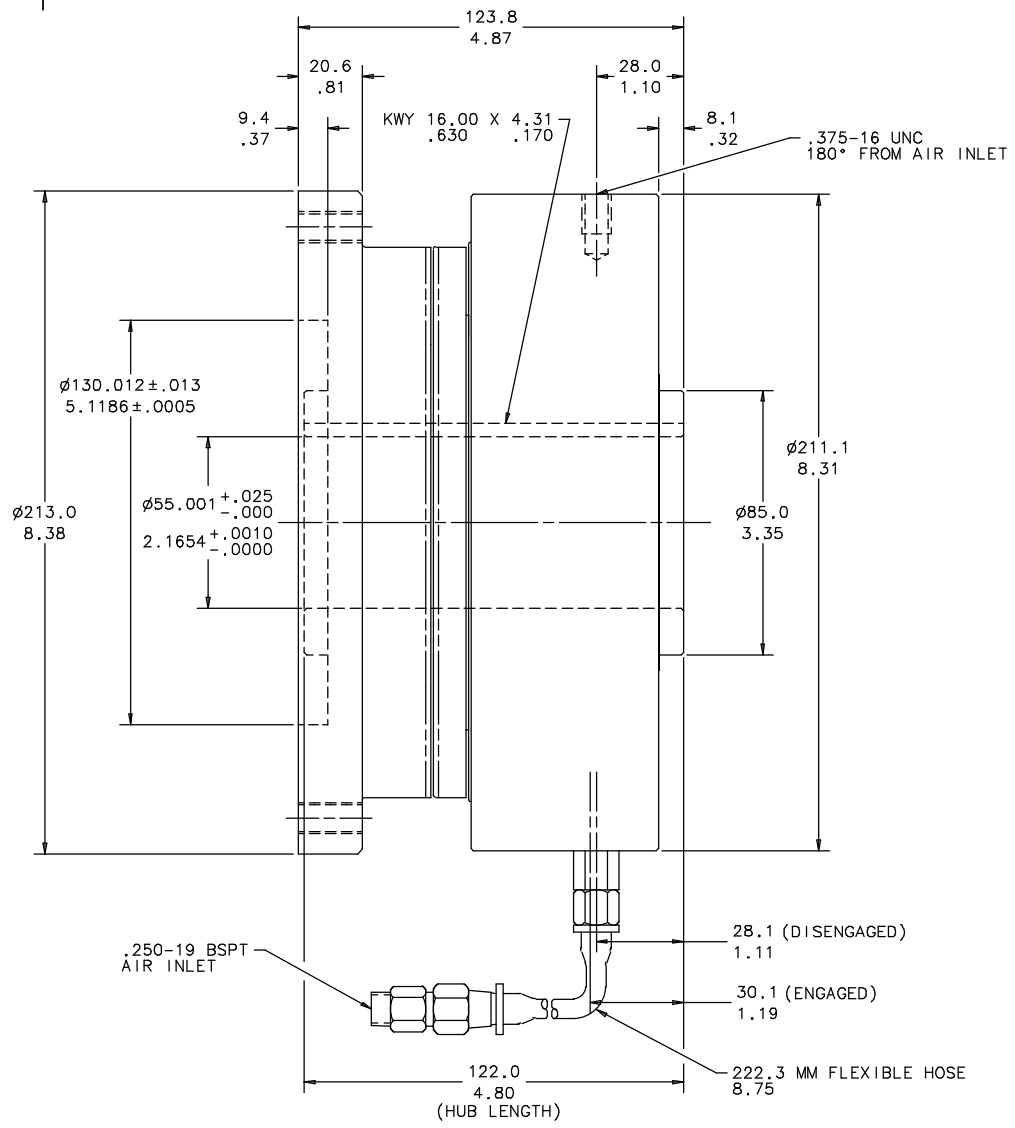
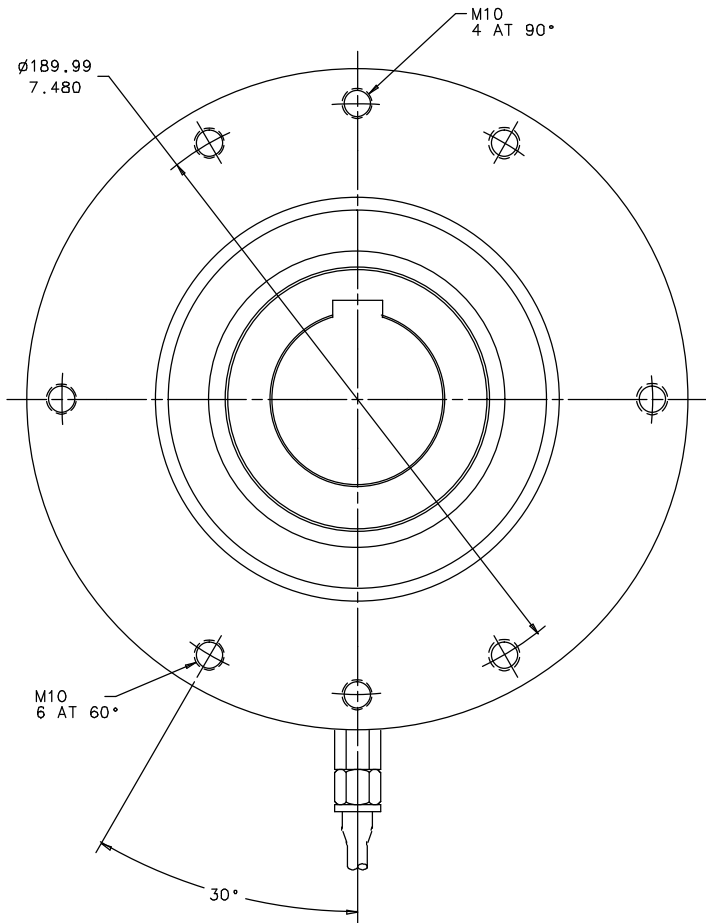


1 2 3 4 5 6 7 8



C-907302S

GEOMETRIC TOLERANCE VALUES		THIRD ANGLE PROJECTION		SURFACE ROUGHNESS VALUES		UNLESS OTHERWISE SPECIFIED	
MM	INCH			μm	μin	1. SURFACE TEXTURE: \checkmark 2. METRIC TOLERANCES: X ± 0.8 ; .X ± 0.5 ; .XX ± 0.13 INCH TOLERANCES: .XX ± 0.02 ; .XXX ± 0.005 3. ANGLES $\pm .5^\circ$ 4. PRIMARY DIMENSIONS ARE IN MM SECONDARY DIMENSIONS ARE IN INCHES 5. REMOVE ALL BURRS AND SHARP EDGES 6. DO NOT SCALE DWG - WORK TO DIMS 7. PART MUST CONFORM TO ENGINEERING STANDARD WORK INSTRUCTIONS	
.013	.0005	.08	.003	6.3	250		
.03	.001	.13	.005	3.2	125		
.05	.002	.20	.008	1.6	63		
.08	.003	.25	.010	0.8	32		
.13	.005	.38	.015	0.4	16		
.20	.008			0.2	8		

nexen Nexen Group, Inc.

TITLE GENERAL DIMENSIONS

MODEL 5H70-1

MATL #	A 14729	REV	ECO	ERO	DATE	09-14-00
DWN JAD	DATE 06-08-00	SCALE	1/1	WAS		
CHKD KGC	DATE 09-01-00	SHEET 1 OF 1				
APVD AM	DATE 09-14-00	C-907302S		REV	A	

1 2 3 4 5 6 7 8