

1 2 3 4 5 6 7 8

A

B

C

D

E

F

A

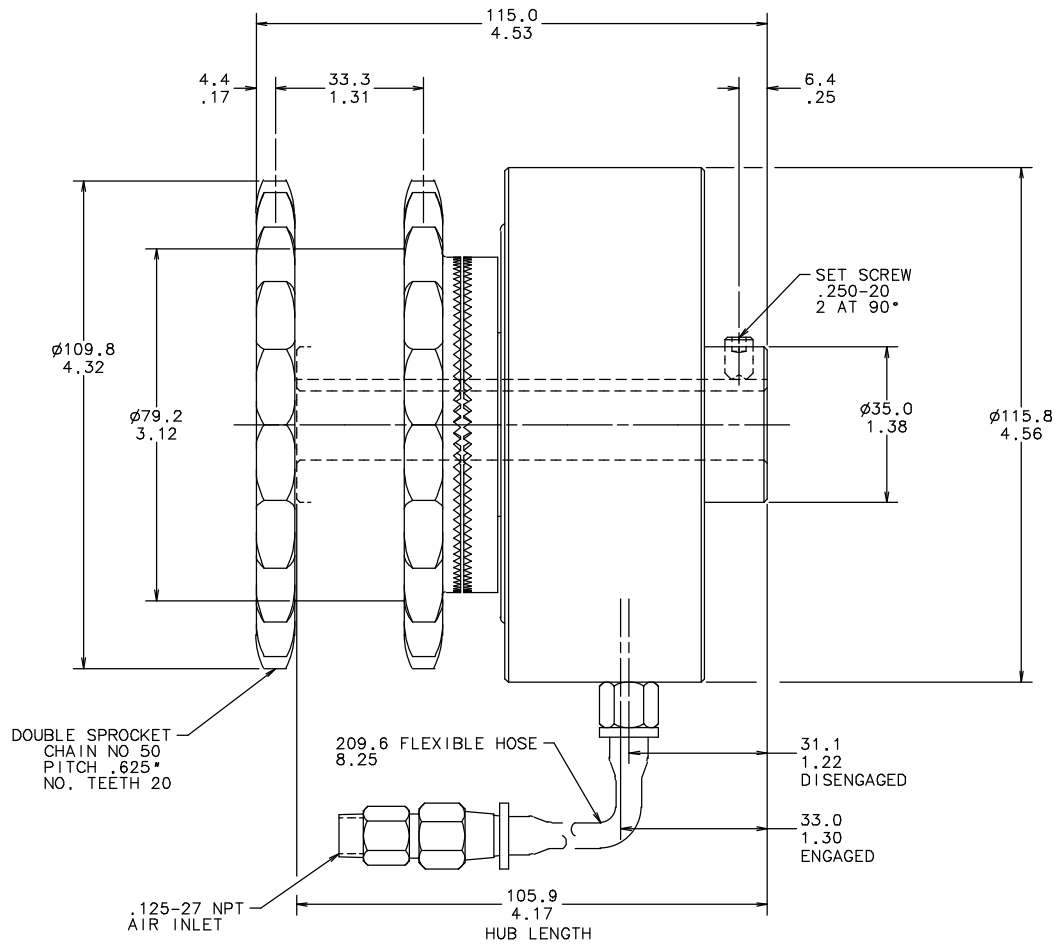
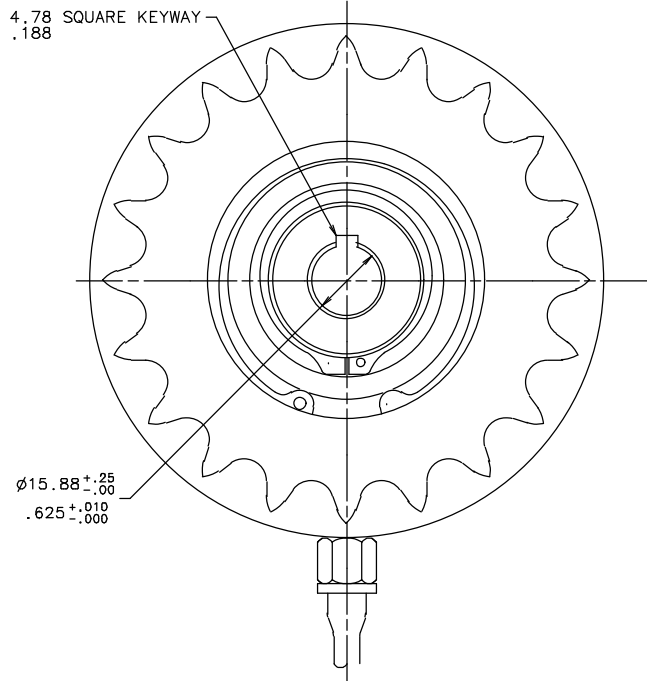
B

C

D

E

F



C-911312S

GEOMETRIC TOLERANCE VALUES		THIRD ANGLE PROJECTION	
MM	INCH		
.013	.0005		
.03	.001		
.05	.002		
.08	.003		
.13	.005	6.3	250
.20	.008	3.2	125
.25	.010	1.6	63
.38	.015	0.8	32
		0.4	16
		0.2	8

UNLESS OTHERWISE SPECIFIED

- SURFACE TEXTURE: $\sqrt{\quad}$
- METRIC TOLERANCES: X ± 0.8 ; .X ± 0.5 ; .XX ± 0.13
- INCH TOLERANCES: .XX ± 0.02 ; .XXX ± 0.005
- ANGLES $\pm .5^\circ$
- PRIMARY DIMENSIONS ARE IN MM
- SECONDARY DIMENSIONS ARE IN INCHES
- REMOVE ALL BURRS AND SHARP EDGES
- DO NOT SCALE DWG - WORK TO DIMS
- PART MUST CONFORM TO ENGINEERING STANDARD WORK INSTRUCTIONS

nexen Nexen Group, Inc.

TITLE GENERAL DIMENSIONS

MODEL 5H30S 0.625" BORE, SPROCKET

MATL	A 4181800	01-09-02
MATL #	REV ECO ERO DATE	
DWN SHO	DATE 01-09-02	SCALE: NONE WAS
CHKD PAR	DATE 01-09-02	SHEET 1 OF 1
APVD JEH	DATE 01-09-02	C-911312S

1 2 3 4 5 6 7 8