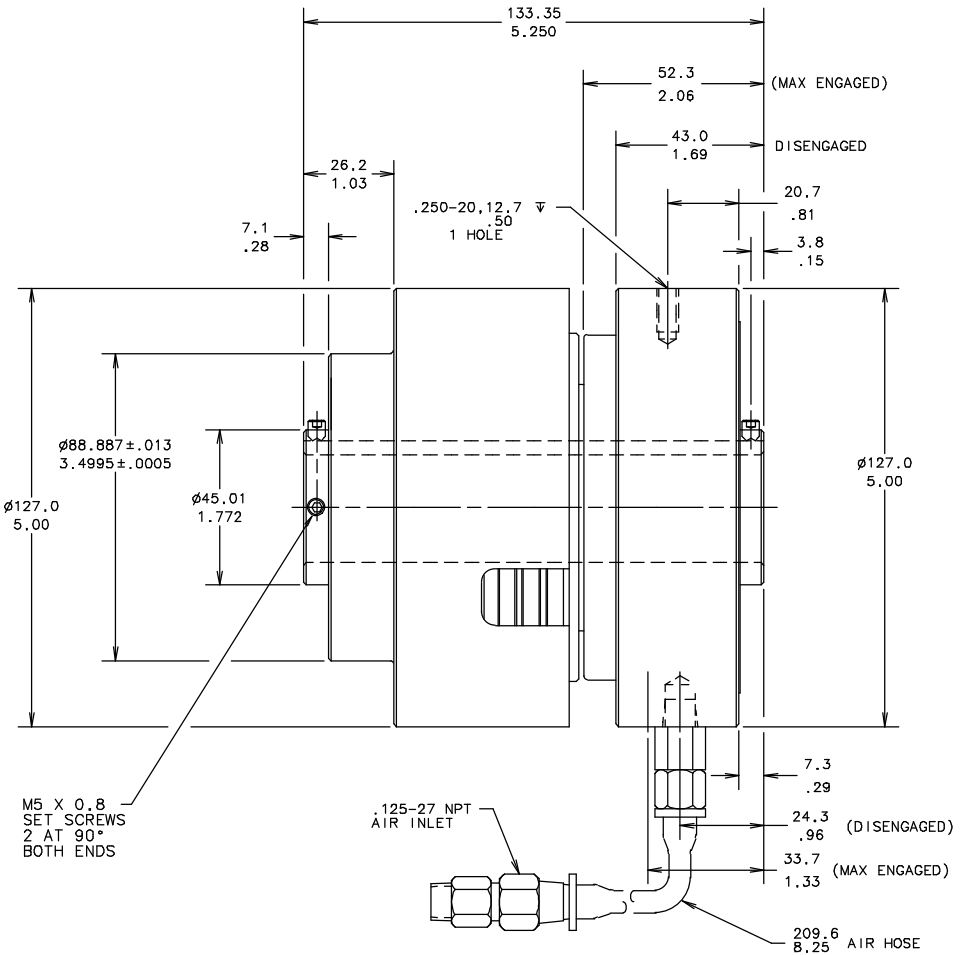
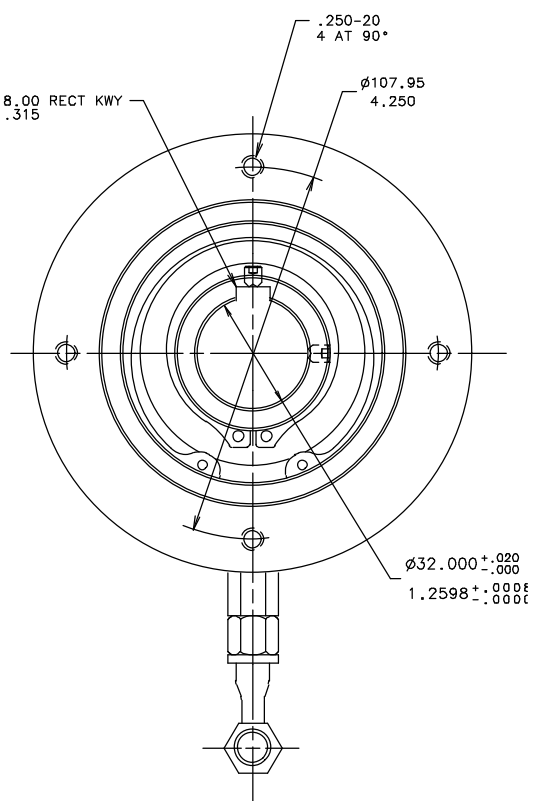


B-923614S



GEOMETRIC TOLERANCE VALUES		THIRD ANGLE PROJECTION																	
MM	INCH																		
.013	.0005	<table border="1"> <thead> <tr> <th colspan="2">SURFACE ROUGHNESS VALUES</th> </tr> <tr> <th>µm</th> <th>µin</th> </tr> </thead> <tbody> <tr> <td>6.3</td> <td>250</td> </tr> <tr> <td>3.2</td> <td>125</td> </tr> <tr> <td>1.6</td> <td>63</td> </tr> <tr> <td>0.8</td> <td>32</td> </tr> <tr> <td>0.4</td> <td>16</td> </tr> <tr> <td>0.2</td> <td>8</td> </tr> </tbody> </table>		SURFACE ROUGHNESS VALUES		µm	µin	6.3	250	3.2	125	1.6	63	0.8	32	0.4	16	0.2	8
SURFACE ROUGHNESS VALUES																			
µm	µin																		
6.3	250																		
3.2	125																		
1.6	63																		
0.8	32																		
0.4	16																		
0.2	8																		
.03	.001																		
.05	.002																		
.08	.003																		
.13	.005																		
.20	.008																		
.25	.010																		
.38	.015																		

- UNLESS OTHERWISE SPECIFIED
1. SURFACE TEXTURE: ✓
  2. METRIC TOLERANCES: X ±0.8; .X ±0.5; .XX ±0.13  
INCH TOLERANCES: .XX ±.02; .XXX ±.005
  3. ANGLES ±.5°
  4. PRIMARY DIMENSIONS ARE IN MM  
SECONDARY DIMENSIONS ARE IN INCHES
  5. REMOVE ALL BURRS AND SHARP EDGES
  6. DO NOT SCALE DWG - WORK TO DIMS
  7. PART MUST CONFORM TO ENGINEERING STANDARD WORK INSTRUCTIONS

**nexen** Nexen Group, Inc.

TITLE GENERAL DIMENSIONS				
MODEL 4H40P CLUTCH, 32MM BORE, PILOT MOUNT				
MATL	A	43785	04-19-05	
MATL #	REV	ECO	ERO	DATE
DWN SHO	DATE	04-19-05	SCALE: NONE	WAS
CHKD PAR	DATE	04-19-05	SHEET 1 OF 1	REV
APVD JJH	DATE	04-19-05	B-923614S A	