

Xcelerator Category 5E Jack

Features

- Third Party Verified Category 5E Component Compliant
- Exclusive 1-Punch Termination Reduces Termination Time by 75%
- Mating Cycles Exceed Industry Standard by Four Times
- Bulk Packaging Reduces Excess Waste on the Job

Ordering Information

Description	Color	UPC Number	Catalog No.
NEXTSPEED Xcelerator Category 5E Jack, 1 Jack	Blue	662620825182	HXJ5EB

Listings

ANSI/TIA/EIA-568-C.2 Category 5E component
 ISO 11801/60603-7-41 Category 5E component
 Mechanical: Verified to TIA-568-C.2
 UL Listed 1863
 Mechanical TIA-568-C.2
 CSA Certified
 RoHS Compliant

Specifications

Nose Contact	Beryllium copper with precious metal plating with nickel under-plating
IDC Contact	Phosphor bronze with 100 micro-inch tin lead 60/40 plating over nickel under plating
Housing	High impact thermoplastic (UL 94 V-0)
Stuffer Cap	Lexan® (UL 94 V-0)

Performance

Electrical

Center balanced to Category 5E plug specifications
 Exceeds component requirements by a minimum of 3dB
 Positive PSACR beyond 190 MHz (channel)
 Qualified to 150% of 802.3bt PoE Current Level

General Information

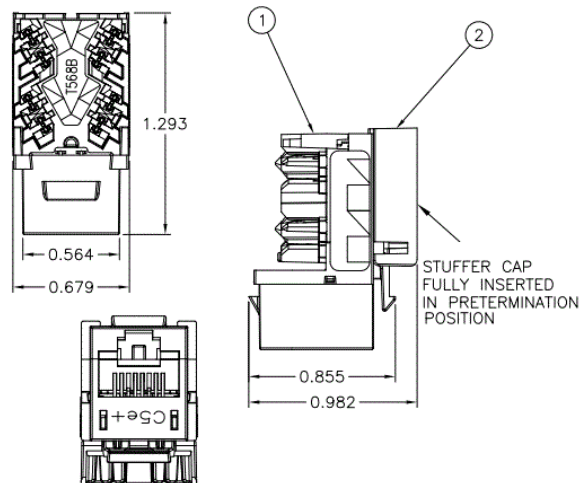
100% factory tested
 Backward compatible to lower installed Categories
 Icon Compatible Supporting 606-B requirements

Mechanical

Contact performance confirmed over the full range of ISO/FCC compliant plug
 IDC Contact Termination: 10x
 Keystone Latching Force: 25 lbs.

Applications

IEEE 802.3ab 1000GBASE-T
 IEEE 802.3bt 4PPoE Power over Ethernet



Complementary Products

1-Punch Tool	TX4P
Category 5E Patch Cord	HC5EB03
Dust Cover	HXJDC25
Termination Puck	HXTP25
Category 5E Cable	C5ESPB

Online Resources

eCatalog