



---

# Customer information packet

## CEM2334T-G

20HP, 1770RPM, 3PH, 60HZ, 256TC, TEFC, F1

Class - None

Division - Not Applicable

## Specifications

Enclosure	TEFC
Frame	256TC
Frame Material	Iron
Frequency	60.00 Hz
Haz Area Class and Group	None
Haz Area Division	Not Applicable
Motor Letter Type	Three Phase
Output @ Frequency	20.000 HP @ 60 HZ
Phase	3
Synchronous Speed @ Frequency	1800 RPM @ 60 HZ
Voltage @ Frequency	230.0 V @ 60 HZ 460.0 V @ 60 HZ
Agency Approvals	CSA CSA EEV NEMA PREMIUM UR
Ambient Temperature	40 °C
Auxillary Box	No Auxillary Box
Auxillary Box Lead Termination	None
Base Indicator	Rigid
Bearing Grease Type	Polyrex EM (-20F +300F)
Blower	None
Current @ Voltage	52.000 A @ 208.0 V 48.000 A @ 230.0 V 24.000 A @ 460.0 V
Design Code	A
Drip Cover	No Drip Cover
Duty Rating	CONT
Efficiency @ 100% Load	93.0 %
Electrically Isolated Bearing	Not Electrically Isolated
Feedback Device	NO FEEDBACK
Heater Indicator	No Heater

## Part detail

Revision	L
Type	AC
Mech. spec.	
Base	
Status	PRD/A
Elec. spec.	09WGT459
Layout	09LYL284
Eff. date	03-19-2024
CD Diagram	CD0180
Poles	04
Leads	9#10
Proprietary	False
Created date	08-21-2019

High Voltage Full Load Amps	24.0 a
Insulation Class	H
Inverter Code	Inverter Ready
IP Rating	NONE
KVA Code	J
Lifting Lugs	Standard Lifting Lugs
Locked Bearing Indicator	Locked Bearing
Motor Lead Termination	Flying Leads
Motor Standards	NEMA
Motor Type	0960M
Mounting Arrangement	F1
Number of Poles	4
Overall Length	23.78 IN
Power Factor	83
Product Family	General Purpose
Pulley Face Code	C-Face
Rodent Screen	None
Service Factor	1.15
Shaft Diameter	1.625 IN
Shaft Ground Indicator	Shaft Grounding
Shaft Rotation	Reversible
Speed	1770 rpm
Speed Code	Single Speed
Starting Method	Direct on line
Thermal Device - Bearing	None
Thermal Device - Winding	None
Vibration Sensor Indicator	No Vibration Sensor
Winding Thermal 1	None
Winding Thermal 2	None

**Nameplate**

**NP3441LUA**

<b>CAT.NO.</b>	CEM2334T-G						
<b>SPEC</b>	09-0000-1702						
<b>HP</b>	20						
<b>VOLTS</b>	230/460						
<b>AMPS</b>	48/24						
<b>RPM</b>	1770						
<b>FRAME</b>	256TC	<b>HZ</b>	60	<b>PH</b>	3		
<b>SF</b>	1.15	<b>CODE</b>	J	<b>DES</b>	A	<b>CLASS</b>	H
<b>NEMA NOM. EFF</b>	93	<b>PF</b>	83				
<b>RATING</b>	40C AMB-CONT						
<b>CC</b>	010A						
<b>ENCL</b>	TEFC	<b>SER</b>					
<b>DE</b>	6309	<b>ODE</b>	6208				
<b>VPWM INVERTER READY</b>							
<b>CT6-60H(10:1)VT3-60H(20:1</b>	50HZ 20HP 190/380V 58/29A						SF1.0

**AC Induction Motor Performance Data**

Record # 68093

Typical performance - not guaranteed values

<b>Winding: 09WGT459-R013</b>		<b>Type: 0960M</b>		<b>Enclosure: TEFC</b>	
<b>Nameplate Data</b>			<b>460 V, 60 Hz: High Voltage Connection</b>		
<b>Rated Output (HP)</b>	20	<b>Full Load Torque</b>	59.27 LB-FT		
<b>Volts</b>	230/460	<b>Start Configuration</b>	direct on line		
<b>Full Load Amps</b>	48/24	<b>Breakdown Torque</b>	232 LB-FT		
<b>R.P.M.</b>	1770	<b>Pull-up Torque</b>	126 LB-FT		
<b>Hz</b>	60	<b>Locked-rotor Torque</b>	141 LB-FT		
<b>NEMA Design Code</b>	A	<b>Starting Current</b>	198 A		
<b>Service Factor (S.F.)</b>	1.15	<b>No-load Current</b>	10.4 A		
<b>NEMA Nom. Eff.</b>	93	<b>Line-line Res. @ 25°C</b>	0.33814 Ω		
<b>Rating - Duty</b>	40C AMB-CONT	<b>Temp. Rise @ Rated Load</b>	58°C		
<b>S.F. Amps</b>		<b>Temp. Rise @ S.F. Load</b>	70°C		
		<b>Locked-rotor Power Factor</b>	26.5		

**Load Characteristics 460 V, 60 Hz, 20 HP**

<b>% of Rated Load</b>	<b>25</b>	<b>50</b>	<b>75</b>	<b>100</b>	<b>125</b>	<b>150</b>	<b>S.F.</b>
<b>Power Factor</b>	45	67	78	83	86	87	85
<b>Efficiency</b>	89.2	93	93.7	93.6	93.1	92.4	93.3
<b>Speed</b>	1793.2	1786.4	1779.1	1771.9	1763.7	1755.3	1767
<b>Line amperes</b>	11.8	15	19.2	24	29.3	34.9	27.2

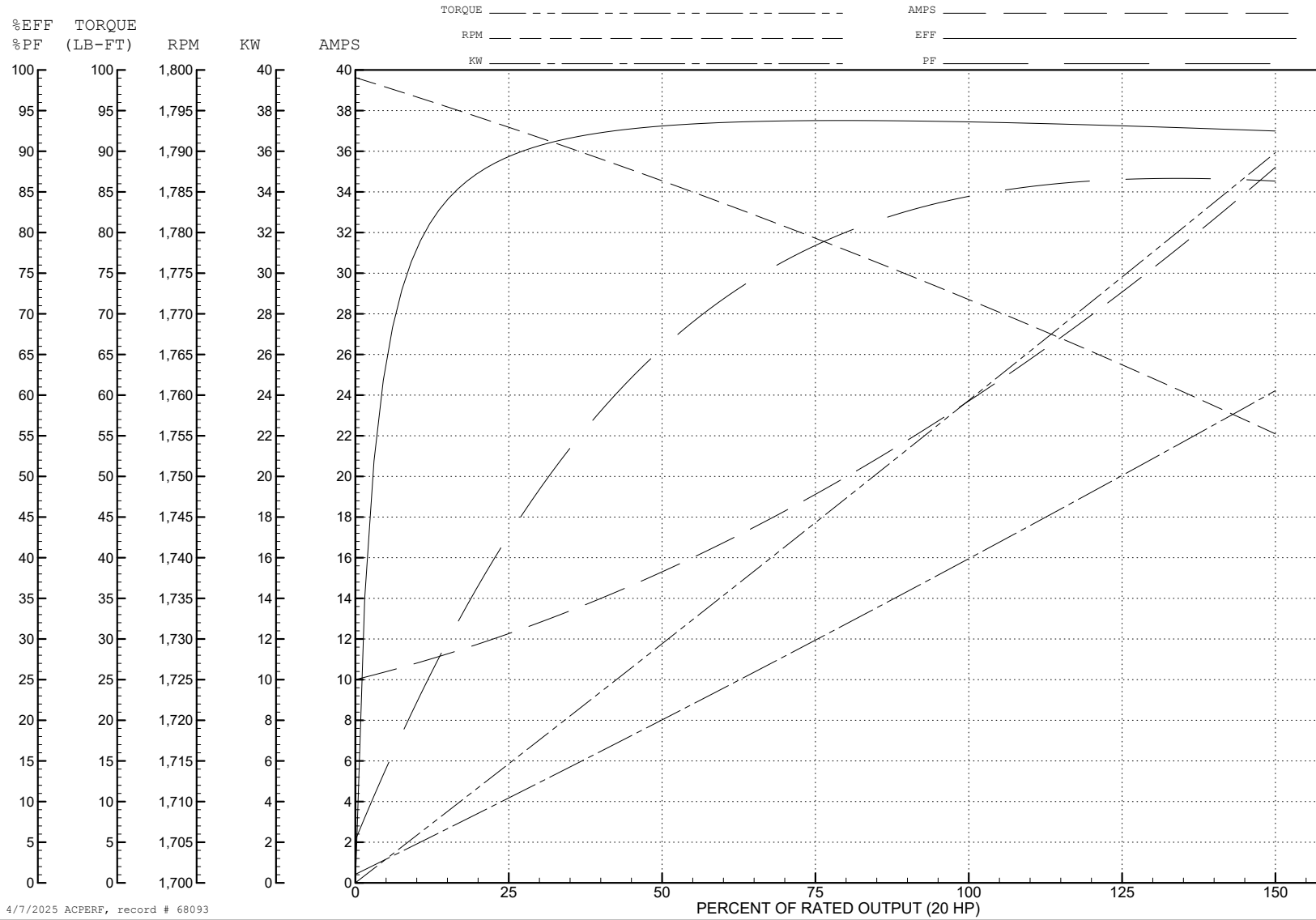
ABB Motors and Mechanical Inc.

WINDING # 09WGT459

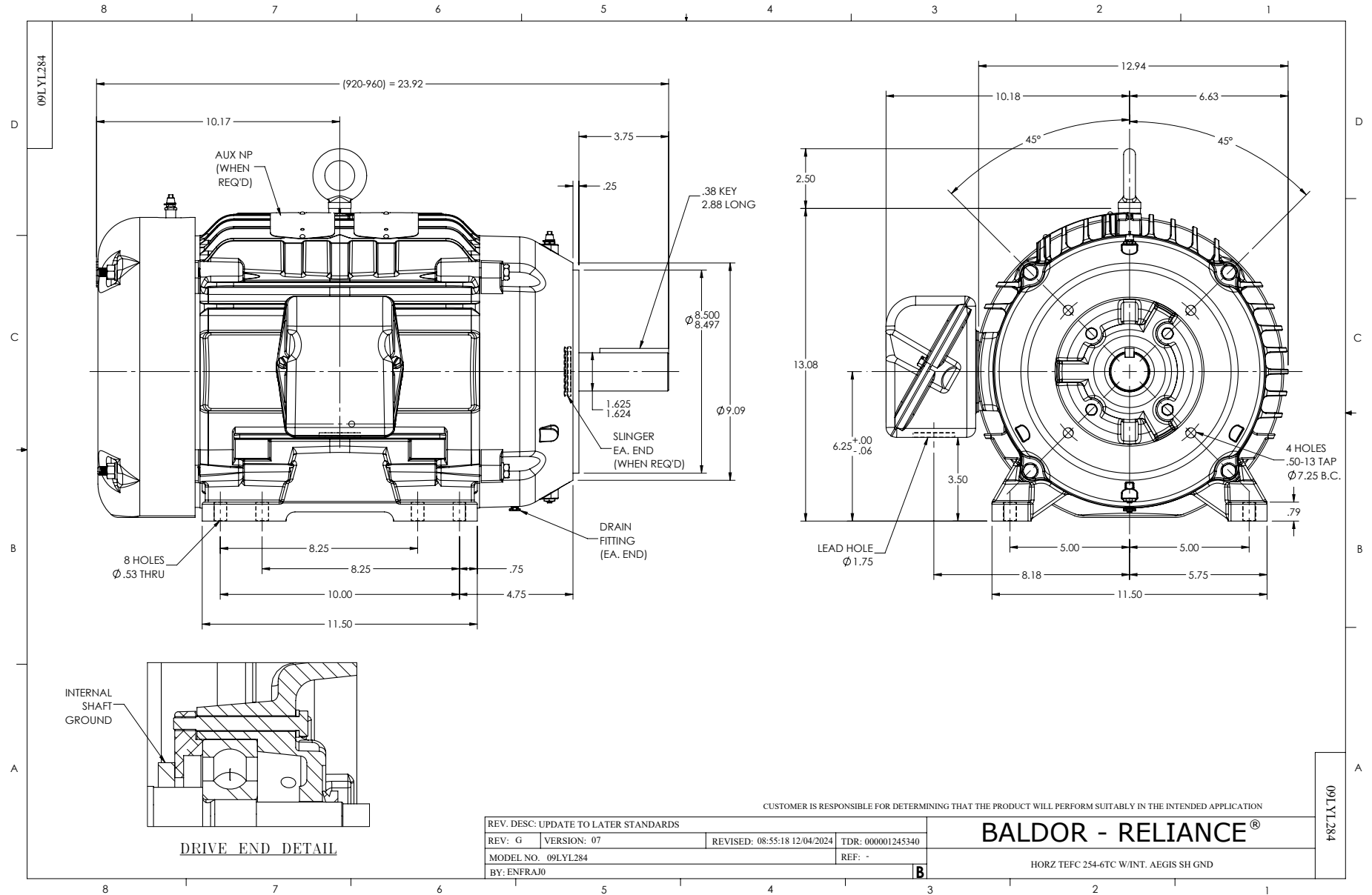
Typical performance - not guaranteed values.

20 HP 3 PH 60 HZ 1770 RPM 460 V 0960M

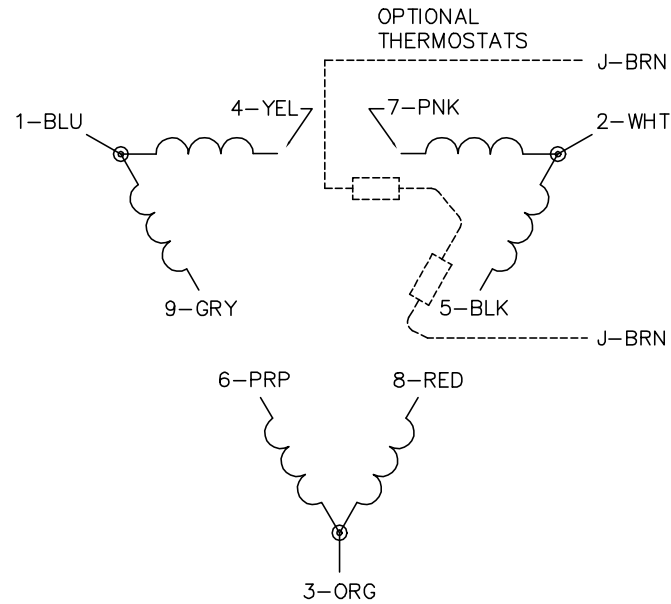
TORQUES (LB-FT): PO=232 PU=126 LR=141 LRA=198



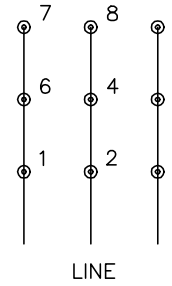
4/7/2025 ACPERF, record # 68093



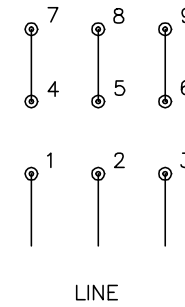
CD0180



LOW VOLTAGE  
(2D)



HIGH VOLTAGE  
(1D)



NOTES:

1. INTERCHANGE ANY TWO LINE LEADS TO REVERSE ROTATION.
2. OPTIONAL THERMOSTATS ARE PROVIDED WHEN SPECIFIED.
3. ACTUAL NUMBER OF INTERNAL PARALLEL CIRCUITS MAY BE A MULTIPLE OF THOSE SHOWN ABOVE.
4. LEAD COLORS ARE OPTIONAL. LEADS MUST ALWAYS BE NUMBERED AS SHOWN.

CD0180

REV. DESC: ADD CLASS CONN00000007		
REV. LTR: D	VERSION: 01	TDR: 000001099922
FILE: \AAA\00005\148	REVISED: 10: 25: 29 02/19/2019	BY: ENBRIRO
MTL: -	© □	

**BALDOR - RELIANCE®**

3PH, DV, 9 LEADS, DELTA CONNECTION

SH 1 of 1