

**BALDOR • RELIANCE**

---

# Customer information packet

## CEWDM3545T

1HP, 3450RPM, 3PH, 60HZ, 143TC, TENV, F1

Class - None

Division - Not Applicable

Copyright © All product information within this document is subject to ABB Motors and Mechanical Inc. copyright © protection, unless otherwise noted.

4/7/2025 8:59:59 AM

## Specifications

Enclosure	TENV
Frame	143TC
Frame Material	Steel
Frequency	60.00 Hz
Haz Area Class and Group	None
Haz Area Division	Not Applicable
Motor Letter Type	Three Phase
Output @ Frequency	1.000 HP @ 60 HZ
Phase	3
Synchronous Speed @ Frequency	3600 RPM @ 60 HZ
Voltage @ Frequency	230.0 V @ 60 HZ 460.0 V @ 60 HZ
Agency Approvals	CSA CSA EEV NEMA PREMIUM UR
Ambient Temperature	40 °C
Auxillary Box	No Auxillary Box
Auxillary Box Lead Termination	None
Base Indicator	Rigid
Bearing Grease Type	Polyrex EM (-20F +300F)
Blower	None
Current @ Voltage	1.300 A @ 460.0 V 2.600 A @ 230.0 V
Design Code	B
Drip Cover	No Drip Cover
Duty Rating	CONT
Efficiency @ 100% Load	82.5 %
Electrically Isolated Bearing	Not Electrically Isolated
Feedback Device	NO FEEDBACK
Heater Indicator	No Heater
High Voltage Full Load Amps	1.3 a

## Part detail

Revision	C
Type	AC
Mech. spec.	
Base	
Status	PRD/A
Elec. spec.	35WGR933
Layout	35LYSS592
Eff. date	02-14-2024
CD Diagram	CD0005
Poles	02
Leads	9#18
Proprietary	False
Created date	12-09-2019

<b>Insulation Class</b>	F
<b>Inverter Code</b>	Inverter Ready
<b>KVA Code</b>	L
<b>Lifting Lugs</b>	No Lifting Lugs
<b>Locked Bearing Indicator</b>	Locked Bearing
<b>Motor Lead Termination</b>	Flying Leads
<b>Motor Standards</b>	NEMA
<b>Motor Type</b>	3516M
<b>Mounting Arrangement</b>	F1
<b>Number of Poles</b>	2
<b>Overall Length</b>	12.12 IN
<b>Power Factor</b>	88
<b>Product Family</b>	Wash Down
<b>Pulley Face Code</b>	C-Face
<b>Rodent Screen</b>	None
<b>Service Factor</b>	1.15
<b>Shaft Diameter</b>	0.875 IN
<b>Shaft Ground Indicator</b>	No Shaft Grounding
<b>Shaft Rotation</b>	Reversible
<b>Speed</b>	3450 rpm
<b>Speed Code</b>	Single Speed
<b>Starting Method</b>	Direct on line
<b>Thermal Device - Bearing</b>	None
<b>Thermal Device - Winding</b>	None
<b>Vibration Sensor Indicator</b>	No Vibration Sensor
<b>Winding Thermal 1</b>	None
<b>Winding Thermal 2</b>	None

**Nameplate**

<b>NP1669L</b>									
<b>CAT.NO.</b>	CEWDM3545T								
<b>SPEC.</b>	35-0000-0481								
<b>HP</b>	1								
<b>VOLTS</b>	230/460								
<b>AMP</b>	2.6/1.3								
<b>RPM</b>	3450								
<b>FRAME</b>	143TC		<b>HZ</b>	60		<b>PH</b>	3		
<b>SER.F.</b>	1.15	<b>CODE</b>	L	<b>DES</b>	B	<b>CLASS</b>	F		
<b>NEMA-NOM-EFF</b>	82.5	<b>PF</b>	88						
<b>RATING</b>	40C AMB-CONT								
<b>CC</b>	010A								
<b>DE</b>	6205		<b>ODE</b>	6203					
<b>ENCL</b>	TENV	<b>SN</b>							
<b>BLANK</b>	20:1CT, 20:1VT, 1.00SF								

**AC Induction Motor Performance Data**

Record # 79990

Typical performance - not guaranteed values

<b>Winding:</b> 35WGR933-R004		<b>Type:</b> 3516M		<b>Enclosure:</b> TENV	
<b>Nameplate Data</b>			<b>460 V, 60 Hz: High Voltage Connection</b>		
<b>Rated Output (HP)</b>	1	<b>Full Load Torque</b>	1.5 LB-FT		
<b>Volts</b>	230/460	<b>Start Configuration</b>	direct on line		
<b>Full Load Amps</b>	2.6/1.3	<b>Breakdown Torque</b>	7.5 LB-FT		
<b>R.P.M.</b>	3450	<b>Pull-up Torque</b>	4.2 LB-FT		
<b>Hz</b>	60 <b>Phase</b>	3	<b>Locked-rotor Torque</b>	5.6 LB-FT	
<b>NEMA Design Code</b>	<b>B KVA Code</b>	L	<b>Starting Current</b>	12.4 A	
<b>Service Factor (S.F.)</b>	1.15		<b>No-load Current</b>	0.63 A	
<b>NEMA Nom. Eff.</b>	82.5	<b>Power Factor</b>	88	<b>Line-line Res. @ 25°C</b>	15.2 Ω
<b>Rating - Duty</b>	40C AMB-CONT		<b>Temp. Rise @ Rated Load</b>	80°C	
<b>S.F. Amps</b>			<b>Temp. Rise @ S.F. Load</b>	93°C	
			<b>Locked-rotor Power Factor</b>	56.1	
			<b>Rotor inertia</b>	0.0443 LB-FT <sup>2</sup>	

**Load Characteristics 460 V, 60 Hz, 1 HP**

<b>% of Rated Load</b>	<b>25</b>	<b>50</b>	<b>75</b>	<b>100</b>	<b>125</b>	<b>150</b>	<b>S.F.</b>
<b>Power Factor</b>	48	69	81	86	88	90	87
<b>Efficiency</b>	71.5	80.5	83.4	83.6	82.9	81.3	83.2
<b>Speed</b>	3560	3529	3494	3462	3423	3378	3439
<b>Line amperes</b>	0.7	0.85	1.04	1.28	1.58	1.86	1.46

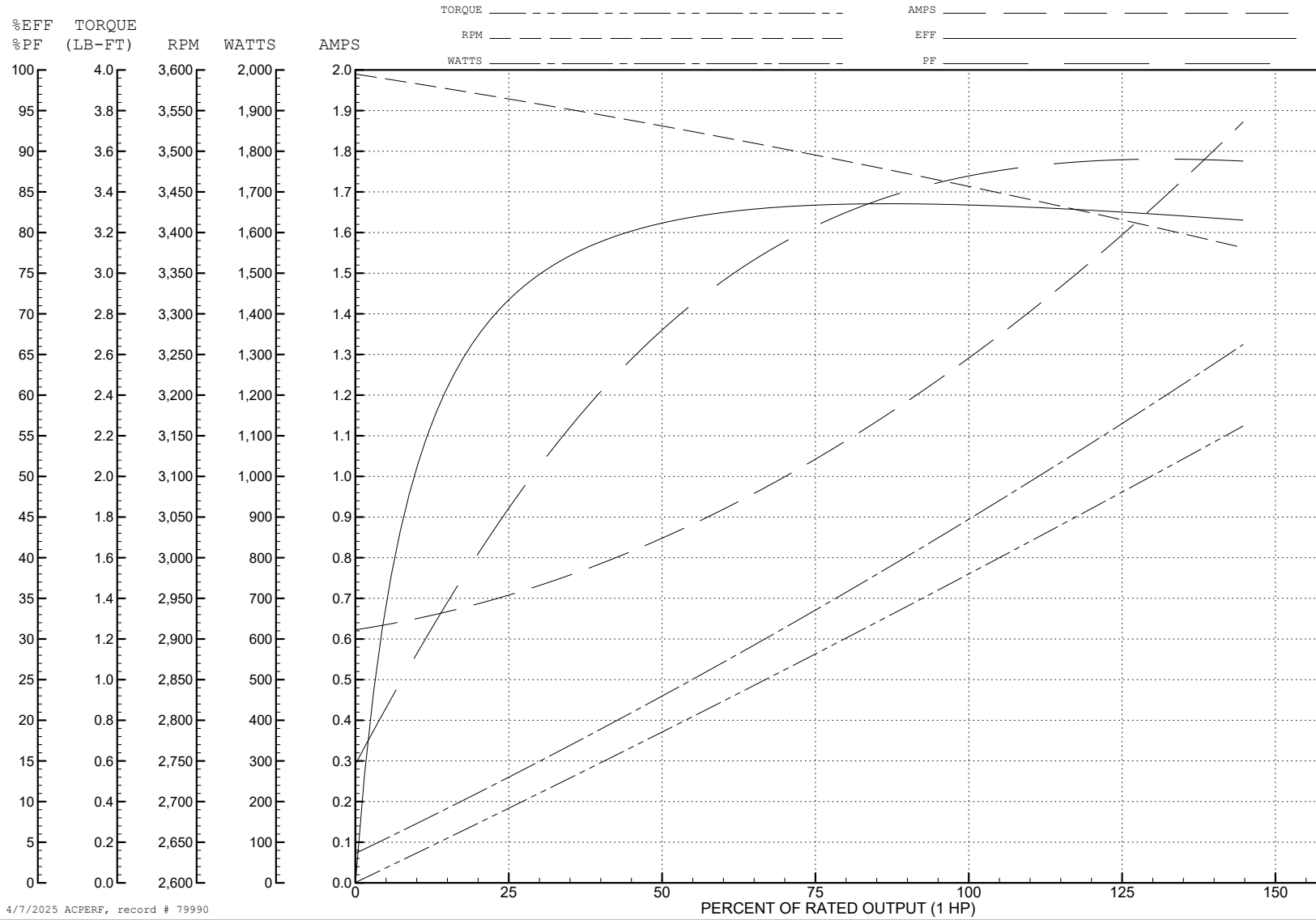
ABB Motors and Mechanical Inc.

WINDING # 35WGR933

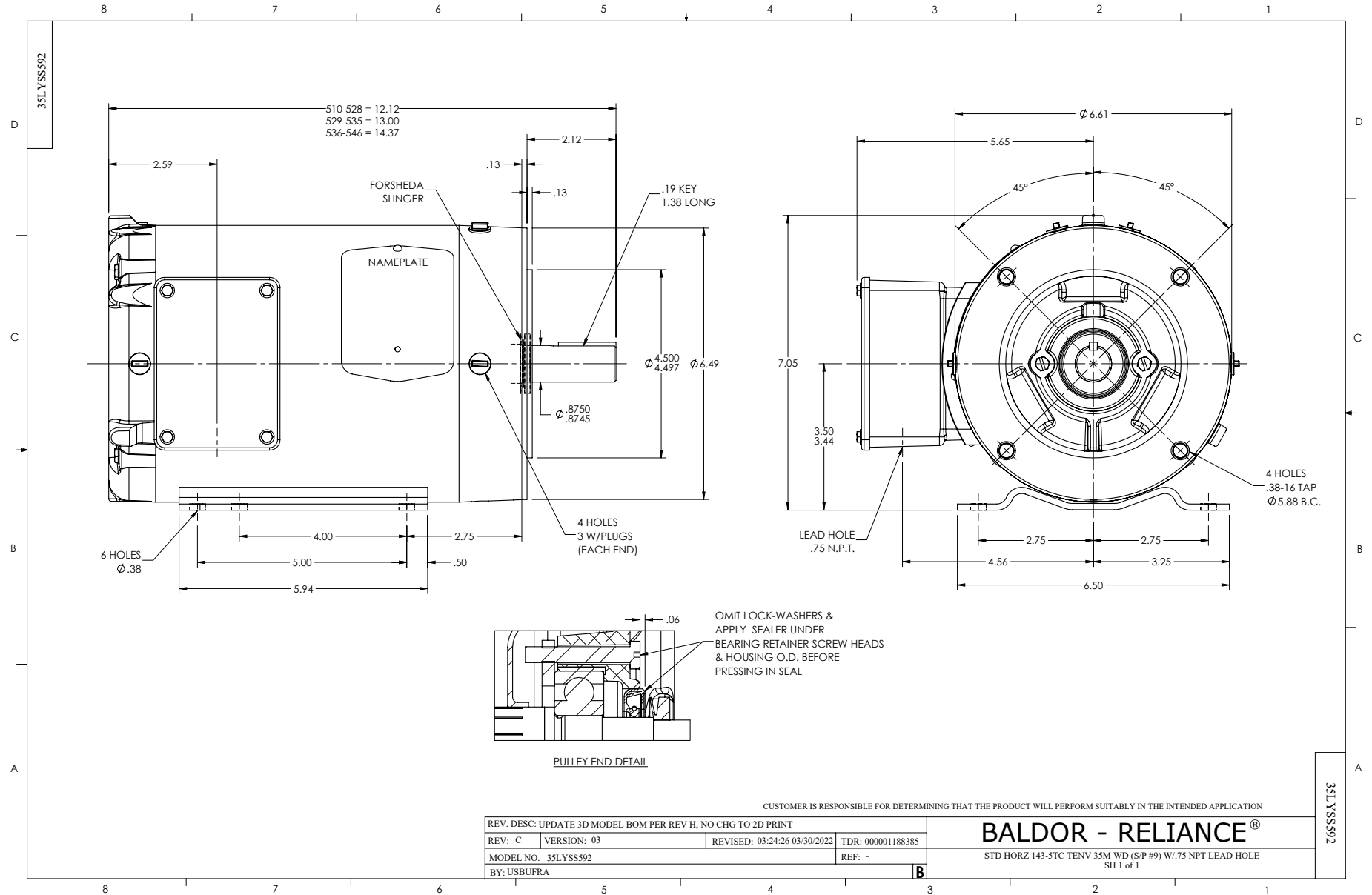
1 HP 3 PH 60 HZ 3450 RPM 460 V 3516M

Typical performance - not guaranteed values.

TORQUES (LB-FT): PO=7.5 PU=4.2 LR=5.6 LRA=12.4



4/7/2025 ACPERF, record # 79990



CD0005



LOW VOLTAGE  
(2Y)



LINE

HIGH VOLTAGE  
(1Y)



LINE

NOTES:

1. INTERCHANGE ANY TWO LINE LEADS TO REVERSE ROTATION.
2. OPTIONAL THERMOSTATS ARE PROVIDED WHEN SPECIFIED.
3. ACTUAL NUMBER OF INTERNAL PARALLEL CIRCUITS MAY BE A MULTIPLE OF THOSE SHOWN ABOVE.
4. LEAD COLORS ARE OPTIONAL. LEADS MUST ALWAYS BE NUMBERED AS SHOWN.

CD0005

REV. DESC: REVISE TO SHOW OPTIONAL COLORS			
REV. LTR: E	BY: JLP	REVISED: 01/19/99 10:15	TDR: 0171435
S00000		FILE: AAA00005140	MDL: -
		MTL: -	

**BALDOR ELECTRIC Co.**

3PH, DV, 9 LEADS