



---

# Customer information packet

## CWDM3539-H

.5HP, 1175RPM, 3PH, 60HZ, 56HC, 3522M, TENV, F1

Class - None

Division - Not Applicable

## Specifications

Enclosure	TENV
Frame	56HC
Frame Material	Steel
Frequency	60.00 Hz
Haz Area Class and Group	None
Haz Area Division	Not Applicable
Motor Letter Type	Three Phase
Output @ Frequency	.500 HP @ 60 HZ
Phase	3
Synchronous Speed @ Frequency	1200 RPM @ 60 HZ
Voltage @ Frequency	460.0 V @ 60 HZ 230.0 V @ 60 HZ 208.0 V @ 60 HZ
Agency Approvals	C UR US
Ambient Temperature	40 °C
Auxillary Box	No Auxillary Box
Auxillary Box Lead Termination	None
Base Indicator	Rigid
Bearing Grease Type	Polyrex EM (-20F +300F)
Blower	None
Current @ Voltage	2.000 A @ 230.0 V 2.000 A @ 208.0 V 1.000 A @ 460.0 V
Design Code	B
Drip Cover	No Drip Cover
Duty Rating	CONT
Efficiency @ 100% Load	77.0 %
Electrically Isolated Bearing	Not Electrically Isolated
Feedback Device	NO FEEDBACK
Front Shaft Indicator	None
Heater Indicator	No Heater
High Voltage Full Load Amps	1.0 a

## Part detail

Revision	B
Type	AC
Mech. spec.	35E1081
Base	
Status	PRD/A
Elec. spec.	35WGG337
Layout	35LY-000-259
Eff. date	10-19-2023
CD Diagram	CD0005
Poles	06
Leads	9#18
Proprietary	False
Created date	02-23-2023

<b>Insulation Class</b>	F
<b>Inverter Code</b>	Inverter Ready
<b>KVA Code</b>	M
<b>Lifting Lugs</b>	No Lifting Lugs
<b>Locked Bearing Indicator</b>	Locked Bearing
<b>Motor Lead Quantity/Wire Size</b>	9 @ 18 AWG
<b>Motor Lead Termination</b>	Flying Leads
<b>Motor Standards</b>	NEMA
<b>Motor Type</b>	3522M
<b>Mounting Arrangement</b>	F1
<b>Number of Poles</b>	6
<b>Overall Length</b>	11.91 IN
<b>Power Factor</b>	57
<b>Product Family</b>	Wash Down
<b>Pulley End Bearing Type</b>	Sealed Bearing
<b>Pulley Face Code</b>	C-Face
<b>Pulley Shaft Indicator</b>	Standard
<b>Rodent Screen</b>	None
<b>Service Factor</b>	1.25
<b>Shaft Diameter</b>	0.625 IN
<b>Shaft Ground Indicator</b>	No Shaft Grounding
<b>Shaft Rotation</b>	Reversible
<b>Speed</b>	1175 rpm
<b>Speed Code</b>	Single Speed
<b>Starting Method</b>	Direct on line
<b>Thermal Device - Bearing</b>	None
<b>Thermal Device - Winding</b>	None
<b>Vibration Sensor Indicator</b>	No Vibration Sensor
<b>Winding Thermal 1</b>	None
<b>Winding Thermal 2</b>	None

**Nameplate**

<b>NP1496L</b>									
<b>CAT.NO.</b>	CWDM3539-H								
<b>SPEC.</b>	35E1081G337								
<b>HP</b>	.5								
<b>VOLTS</b>	208-230/460								
<b>AMP</b>	2/1								
<b>RPM</b>	1175								
<b>FRAME</b>	56HC		<b>HZ</b>	60		<b>PH</b>	3		
<b>SER.F.</b>	1.25	<b>CODE</b>	M	<b>DES</b>	B	<b>CLASS</b>	F		
<b>NEMA-NOM-EFF</b>	77	<b>PF</b>	57						
<b>RATING</b>	40C AMB-CONT								
<b>CC</b>									
<b>DE</b>	6205		<b>ODE</b>						
<b>ENCL</b>	TENV	<b>SN</b>							
	SFA 2.3/1.15								

**AC Induction Motor Performance Data**

Record # 38108

Typical performance - not guaranteed values

<b>Winding: 35WGN469-R001</b>		<b>Type: 3522M</b>		<b>Enclosure: TENV</b>	
<b>Nameplate Data</b>			<b>460 V, 60 Hz: High Voltage Connection</b>		
<b>Rated Output (HP)</b>	.5	<b>Full Load Torque</b>	2.19 LB-FT		
<b>Volts</b>	208-230/460	<b>Start Configuration</b>	direct on line		
<b>Full Load Amps</b>	1.9/0.95	<b>Breakdown Torque</b>	7.69 LB-FT		
<b>R.P.M.</b>	1165	<b>Pull-up Torque</b>	5.09 LB-FT		
<b>Hz</b>	60 <b>Phase</b>	3	<b>Locked-rotor Torque</b>	5.89 LB-FT	
<b>NEMA Design Code</b>	<b>B KVA Code</b>	K	<b>Starting Current</b>	5.68 A	
<b>Service Factor (S.F.)</b>	1.25	<b>No-load Current</b>	0.712 A		
<b>NEMA Nom. Eff.</b>	78.5 <b>Power Factor</b>	60	<b>Line-line Res. @ 25°C</b>	33.876 Ω	
<b>Rating - Duty</b>	40C AMB-CONT	<b>Temp. Rise @ Rated Load</b>	73°C		
<b>S.F. Amps</b>	2.3-2.2/1.1	<b>Temp. Rise @ S.F. Load</b>	100°C		

**Load Characteristics 460 V, 60 Hz, 0.5 HP**

<b>% of Rated Load</b>	<b>25</b>	<b>50</b>	<b>75</b>	<b>100</b>	<b>125</b>	<b>150</b>	<b>S.F.</b>
<b>Power Factor</b>	24	39	51	60	67	72	67
<b>Efficiency</b>	58.1	72.5	77.4	78.8	78.8	77.6	78.8
<b>Speed</b>	1192.7	1184.4	1175.1	1165.4	1154.5	1141.6	1154
<b>Line amperes</b>	0.734	0.78	0.855	0.955	1.08	1.23	1.08

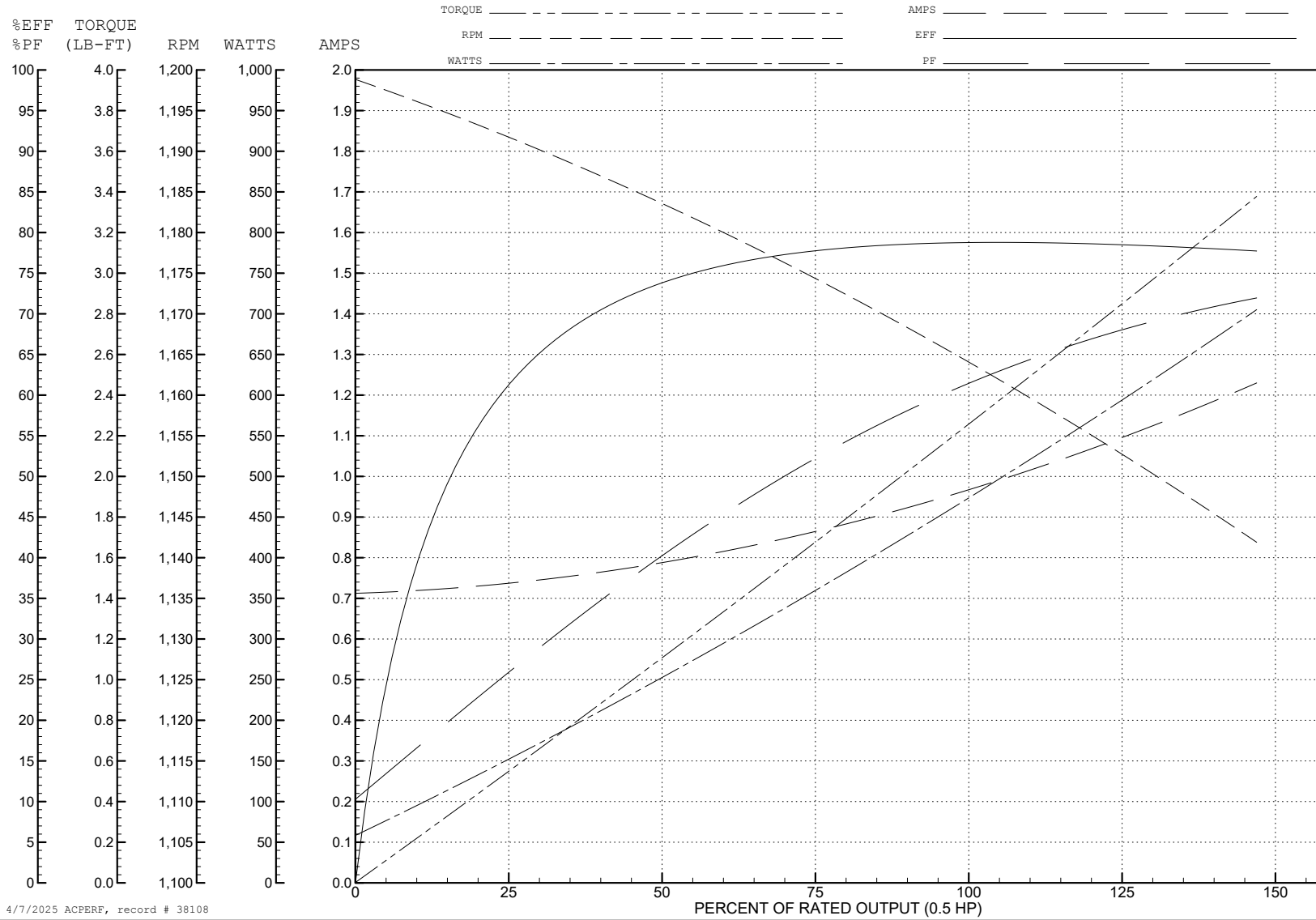
ABB Motors and Mechanical Inc.

WINDING # 35WGN469

0.5 HP 3 PH 60 HZ 1165 RPM 460 V 3522M

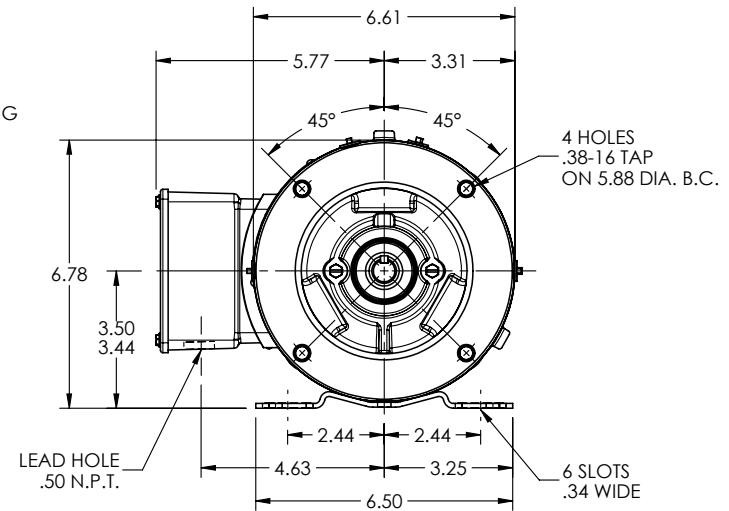
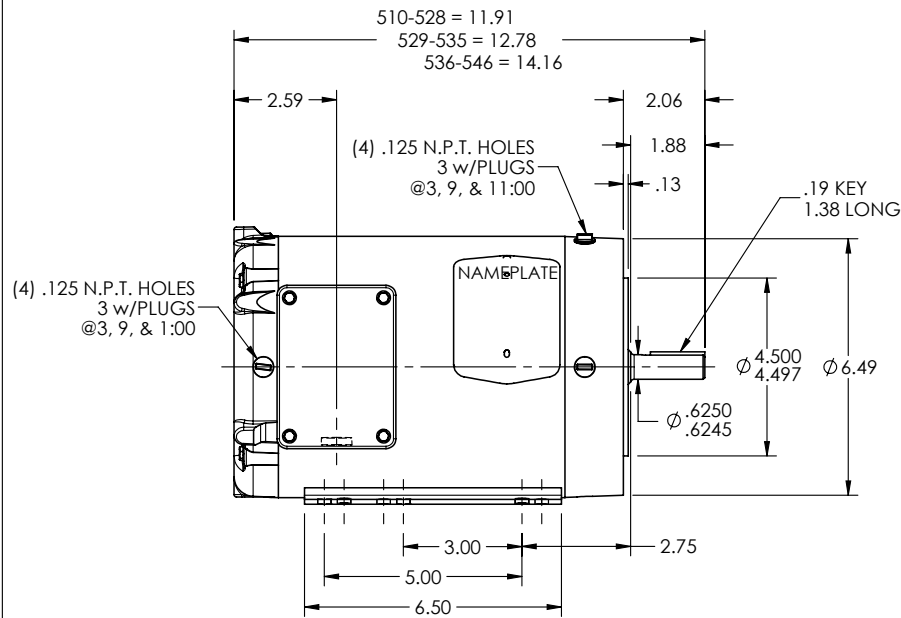
Typical performance - not guaranteed values.

TORQUES (LB-FT): PO=7.69 PU=5.09 LR=5.89 LRA=5.68



4/7/2025 ACPERF, record # 38108

35LY-000-259



PULLEY END DETAIL

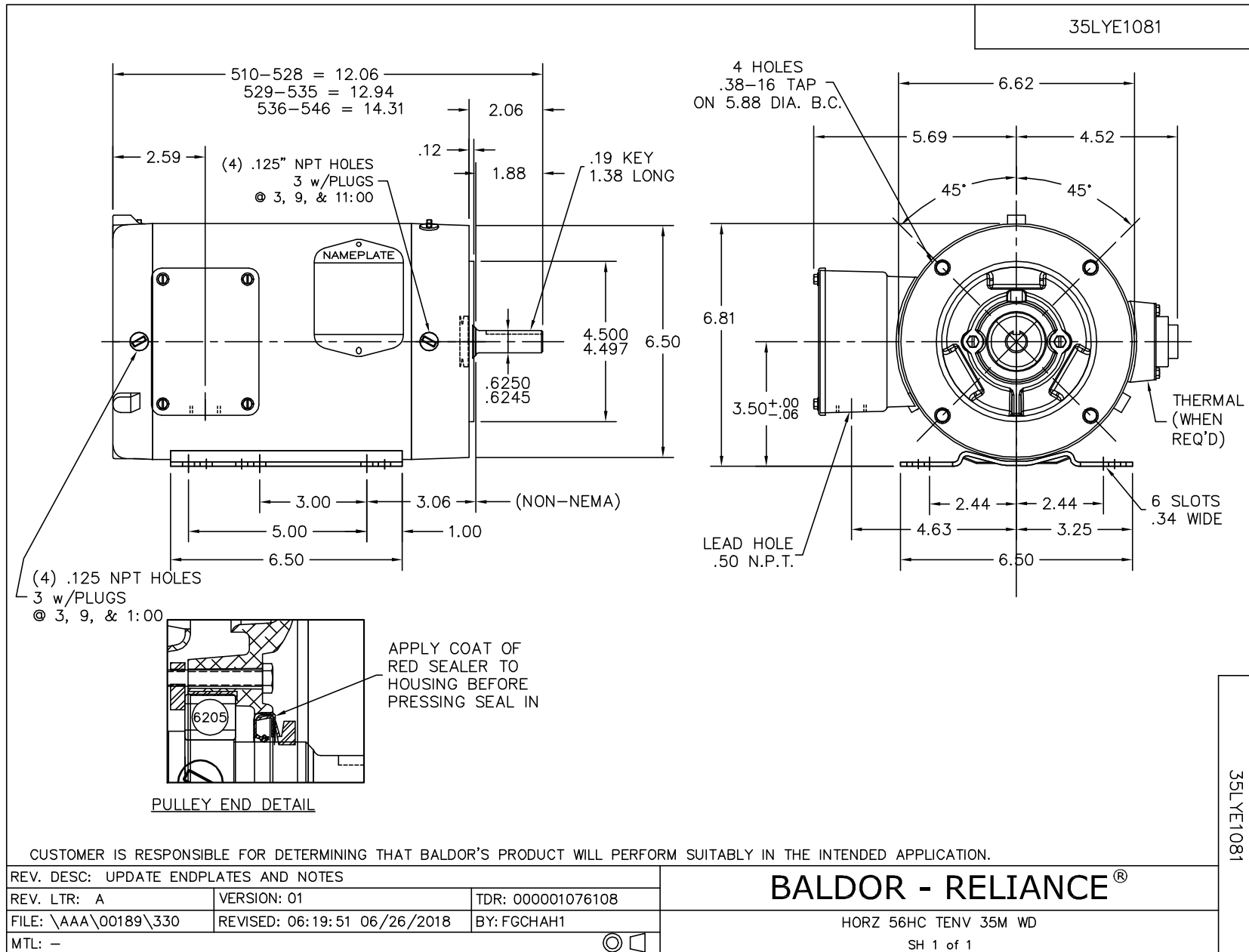
CUSTOMER IS RESPONSIBLE FOR DETERMINING THAT THE PRODUCT WILL PERFORM SUITABLY IN THE INTENDED APPLICATION

REV. DESC: UPDATE MATE ERRORS IN 3D MODEL			
REV: A	VERSION: 01	REVISED: 08:47:50 04/21/2022	TDR: 000001188385
6S7-000-ATCE		MODEL NO. 35LY-000-259	REF: -
		BY: USBUFRA	

**BALDOR - RELIANCE®**

STD HORZ 56HC TENV 35M WD

35LY-000-259



CD0005



LOW VOLTAGE  
(2Y)



LINE

HIGH VOLTAGE  
(1Y)



LINE

**NOTES:**

1. INTERCHANGE ANY TWO LINE LEADS TO REVERSE ROTATION.
2. OPTIONAL THERMOSTATS ARE PROVIDED WHEN SPECIFIED.
3. ACTUAL NUMBER OF INTERNAL PARALLEL CIRCUITS MAY BE A MULTIPLE OF THOSE SHOWN ABOVE.
4. LEAD COLORS ARE OPTIONAL. LEADS MUST ALWAYS BE NUMBERED AS SHOWN.

CD0005

REV. DESC: REVISE TO SHOW OPTIONAL COLORS			
REV. LTR: E	BY: JLP	REVISED: 01/19/99 10:15	TDR: 0171435
S00000		FILE: AAA00005140	MDL: -
		MTL: -	

**BALDOR ELECTRIC Co.**

3PH, DV, 9 LEADS