

**BALDOR • RELIANCE**

---

# Customer information packet

## D2060P2-BV

0366AT, 60HP, 1750RPM, 240, 150, DPBV, F1

**Specifications**

<b>Enclosure</b>	DPBV
<b>Frame</b>	366AT
<b>Frame Material</b>	Steel
<b>Output Power</b>	60.000 HP
<b>Agency Approvals</b>	CSA
<b>Ambient Temperature</b>	40 °C
<b>Bearing Grease Type</b>	Polyrex EM (-20F +300F)
<b>Drip Cover</b>	No Drip Cover
<b>Feedback Device</b>	NO FEEDBACK
<b>Field Winding Type</b>	STR. SHUNT
<b>Heater Indicator</b>	No Heater
<b>Lifting Lugs</b>	Standard Lifting Lugs
<b>Motor Standards</b>	NEMA
<b>Mounting Arrangement</b>	F1
<b>Overall Length</b>	35.13 IN
<b>Shaft Extension Location</b>	Pulley End
<b>Shaft Ground Indicator</b>	No Shaft Grounding
<b>Shaft Slinger Indicator</b>	No Slinger

**Part detail**

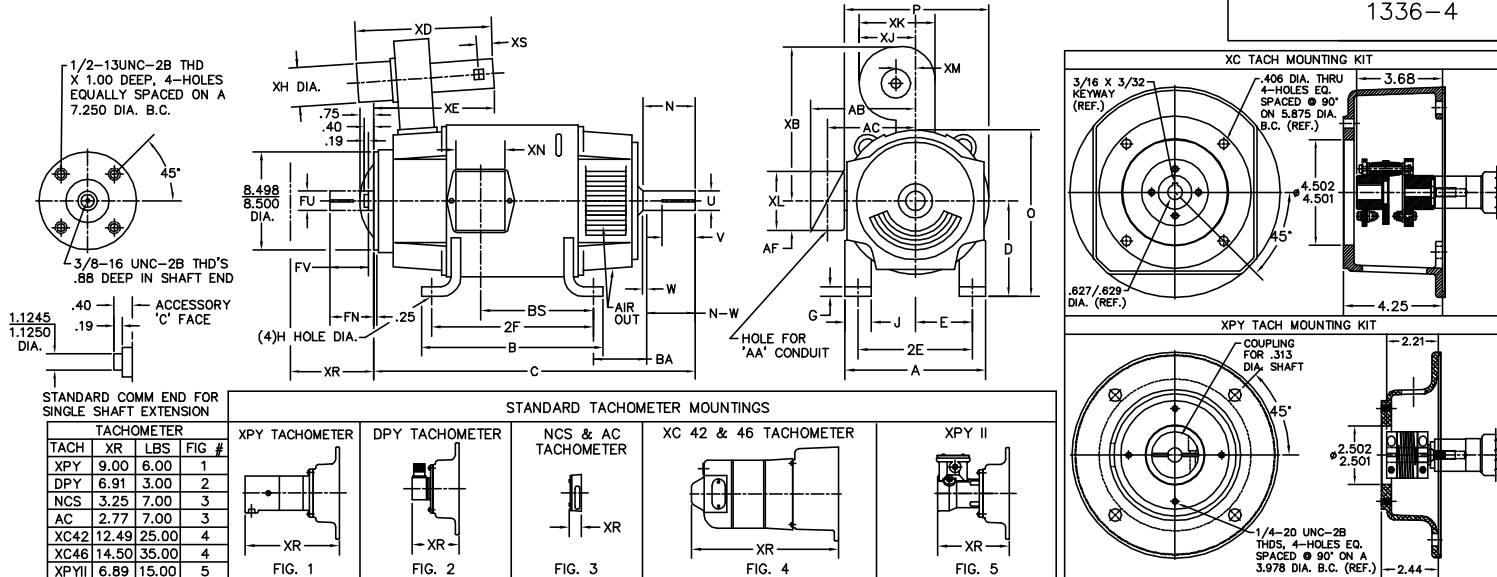
<b>Revision</b>	A
<b>Type</b>	DC
<b>Mech. spec.</b>	
<b>Base</b>	
<b>Status</b>	PRD/A
<b>Elec. spec.</b>	K0094A A
<b>Layout</b>	1336-4
<b>Eff. date</b>	03-06-2019
<b>CD Diagram</b>	15209
<b>Poles</b>	00
<b>Leads</b>	
<b>Proprietary</b>	False
<b>Created date</b>	04-09-2015

**Nameplate**

**NP1734**

<b>CAT.NO.</b>		<b>MODEL</b>	T36R8004		
<b>HP</b>	60	<b>RPM</b>	1750/2100	<b>FRAME</b>	0366AT
<b>ARM V</b>	240	<b>ARM A</b>	201.00	<b>WOUND</b>	STR. SHUNT
<b>FLD V</b>	150/300	<b>FLD A</b>	8.54-5.60/4.27-2.80		
<b>CONN</b>		<b>OHMS</b>		<b>CL</b>	F
<b>ENCL</b>	DPBV	<b>DUTY</b>	CONT	<b>MX AMB</b>	40
<b>P CODE</b>	C	<b>CTSR</b>		<b>SER.F.</b>	1.0
<b>S/N</b>		<b>E/S</b>	K0094A A		
	BRUSH:36024-3				
<b>O.D.E. BRG.</b>	6211	<b>D.E. BRG.</b>	6213	<b>BRUSH</b>	<b>QTY</b>

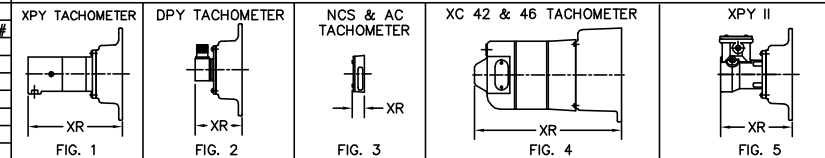
1336-4



STANDARD COMM END FOR SINGLE SHAFT EXTENSION

TACH	XR	LBS	FIG #
XPY	9.00	6.00	1
DPY	6.91	3.00	2
NCS	3.25	7.00	3
AC	2.77	7.00	3
XC42	12.49	25.00	4
XC46	14.50	35.00	4
XPYII	6.89	15.00	5

STANDARD TACHOMETER MOUNTINGS



FRAME	FOOT MOUNTING				D.E. SHAFT EXTENSION				DRIVE KEY				ACC SHAFT EXTENSION				FRAME							
	BA	E	2F	G	H	J	N	N-W	U	V	W	KEY-SQ.	KEY-LONG	FN	FU	FV	KEY-SQ.	KEY-LONG	A	B	C	D	O	P
327AT	5.25	6.25	14.00	.81	.656	3.00	4.40	4.25	2.125	4.00 <sup>3</sup>	.15	.500	3.12	3.94	1.875	3.69	.500	2.81	15.88	15.75	32.75	8.00 <sup>2</sup>	15.94	15.88
328AT	5.25	6.25	16.00	.81	.656	3.00	4.40	4.25	2.125	4.00 <sup>3</sup>	.15	.500	3.12	3.94	1.875	3.69	.500	2.81	15.88	17.75	34.63	8.00 <sup>2</sup>	15.94	15.88
329AT	5.25	6.25	18.00	.81	.656	3.00	4.40	4.25	2.125	4.00 <sup>3</sup>	.15	.500	3.12	3.94	1.875	3.69	.500	2.81	15.88	19.75	36.63	8.00 <sup>2</sup>	15.94	15.88
365AT	5.88	7.00	12.25	.81	.813	3.25	4.94	4.75	2.375	4.50 <sup>3</sup>	.19	.625	3.50	4.62	2.125	4.37	.500	3.13	17.75	13.75	32.94	9.00 <sup>2</sup>	17.94	17.88
366AT	5.88	7.00	14.00	.81	.813	3.25	4.94	4.75	2.375	4.50 <sup>3</sup>	.19	.625	3.50	4.62	2.125	4.37	.500	3.13	17.75	15.50	35.13	9.00 <sup>2</sup>	17.94	17.88
368AT	5.88	7.00	18.00	.81	.813	3.25	4.94	4.75	2.375	4.50 <sup>3</sup>	.19	.625	3.50	4.62	2.125	4.37	.500	3.13	17.75	19.50	38.13	9.00 <sup>2</sup>	17.94	17.88
3610AT	5.88	7.00	22.00	.81	.813	3.25	4.94	4.75	2.375	4.50 <sup>3</sup>	.19	.625	3.50	4.62	2.125	4.37	.500	3.13	17.75	23.50	41.45	9.00 <sup>2</sup>	17.94	17.88
3612AT	5.88	7.00	28.00	.81	.813	3.25	4.94	4.75	2.375	4.50 <sup>3</sup>	.19	.625	3.50	4.62	2.125	4.37	.500	3.13	17.75	29.50	45.56	9.00 <sup>2</sup>	17.94	17.88

FRAME	CONDUIT BOX				BLOWER										ARM APPROX. WK <sup>2</sup> LBS.FT. <sup>2</sup>	APPROXIMATE WEIGHT		
	AA	AB	AC	AF	BS	XL	XN	SIZE	XB	XD	XE	XH	XM	XJ			XK	XS
327AT	2	12.94	10.32	5.00	11.81	7.88	5.25	LM6	19.13	26.38	17.38	10.25	4.19	9.44	11.50	3.75	8.45	738 <sup>5</sup>
328AT	2	12.94	10.32	5.00	13.68	7.88	5.25	LM6	19.13	26.38	17.38	10.25	4.19	9.44	11.50	3.75	9.67	813 <sup>5</sup>
329AT	2	12.94	10.32	5.00	15.68	7.88	5.25	LM6	19.13	26.38	17.38	10.25	4.19	9.44	11.50	3.75	10.97	922 <sup>5</sup>
365AT	2 1/2	14.06	11.38	5.00	9.06	7.88	5.25	LM6	18.88	26.38	18.44	10.25	5.69	10.95	11.50	3.75	15.61	803 <sup>5</sup>
366AT	2 1/2	14.06	11.38	5.00	11.25	7.88	5.25	LM6	18.88	26.38	18.44	10.25	5.69	10.95	11.50	3.75	18.27	913 <sup>5</sup>
368AT	2 1/2	14.06	11.38	5.00	14.25	7.88	5.25	LM6	18.88	26.38	18.44	10.25	5.69	10.95	11.50	3.75	22.21	1073 <sup>5</sup>
3610AT	3	16.86	13.09	6.53	18.25	11.63	7.76	LM9	25.50	28.31	20.94	10.75	5.50	12.38	15.25	3.75	28.00	1109 <sup>5</sup>
3612AT	3	16.86	13.09	6.53	24.25	11.63	7.76	LM9	25.50	28.31	20.94	10.75	5.50	12.38	15.25	3.75	31.60	1145 <sup>5</sup>

- 1) SHAFT DIAMETERS TO 1.500 TOLERANCE +.0000 - .0005  
SHAFT DIAMETERS ABOVE 1.500 TOLERANCE +.0000 - .0010  
SHAFT DIAMETERS TO 1.625 RUNOUT .002 T.I.R. MAX.  
SHAFT DIAMETERS ABOVE 1.625 RUNOUT .003 T.I.R. MAX.
- 2) 'D' DIMENSION TOLERANCE +.000 - .060
- 3) 'V' DIMENSION IS MAX. HUB LENGTH ON SHAFT
- 4) CONDUIT BOX CAN BE ROTATED IN 90° STEPS ON ITS OWN AXIS.
- 5) TOTAL WEIGHT OF MOTOR AND BLOWER LESS TACH WEIGHT
- 6) ALL DIMENSIONS NOT NOTED ARE NOMINAL DIMENSIONS CONSULT FACTORY FOR TOLERANCES.

FOR F1 OR F2 CONDUIT BOX LOCATION SEE SALES ORDER

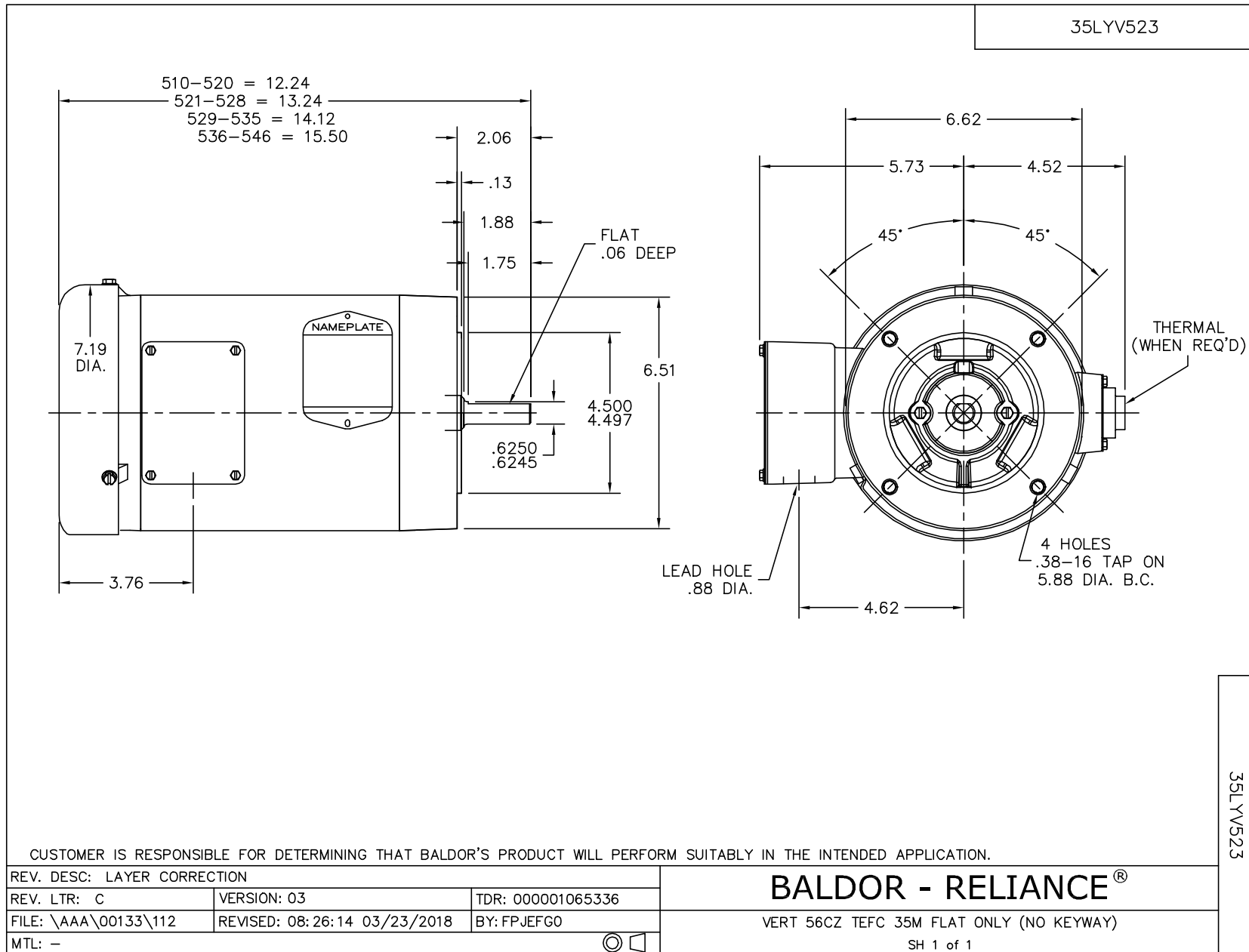
CUSTOMER IS RESPONSIBLE FOR DETERMINING THAT BALDOR'S PRODUCT WILL PERFORM SUITABLY IN THE INTENDED APPLICATION.

REV. DESC: REV. "D" DIM TO +.000 -.060 ONLY	VERSION: 01	TDR: 000000752448
REV. LTR: G	FILE: \RGG\00019\490	REVISED: 01:55:17 06/19/2012
MTL: -		BY: RGGNAS

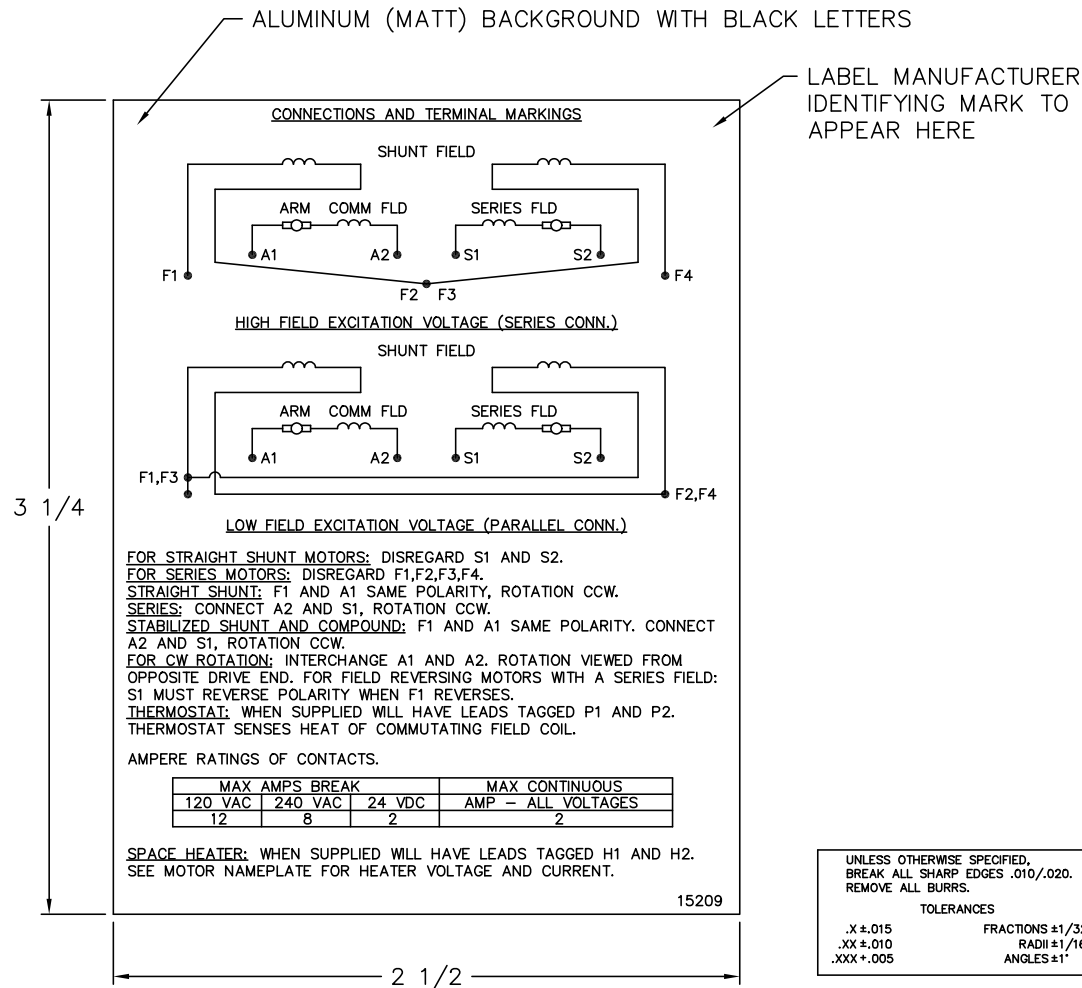


DIM SHEET: 327-3612AT,DPBV,W/TACH  
SH 1 of 1

1336-4



15209



**NOTE:**  
 MATERIAL .005 MINIMUM FULL HARD ALUMINUM DULL FINISH.  
 TEMP. RANGE -20°C TO +125°C MAXIMUM.  
 FOR INDOOR AND OUTDOOR MOUNTING BACK.  
 METAL, PRESSURE SENSITIVE BACK. MUST MEET CSA STANDARD.  
 THE CSA IDENTIFYING MARK OF THE LABEL MANUFACTURER MUST APPEAR IN THE UPPER RIGHT HAND CORNER AS INDICATED.

MATL: NOTED			
REV:	G	CHANGE ALL "NAMEPLATE" TEXT TO "LABEL"	
60Z91		SCALE: -	BY: BKW
		FILE: CHB00002485	REVISED: 02/19/97
		TDR: 0115147	

**BALDOR ELECTRIC Co.**

LABEL, CONNECTIONS AND TERMINAL MARKINGS DC

15209