

BALDOR • RELIANCE

Customer information packet

EHM4115T-5

50HP, 1775RPM, 3PH, 60HZ, 326T, 1266M, TEFC, F1

Class - None

Division - Not Applicable

Specifications

Enclosure	TEFC
Frame	326T
Frame Material	Iron
Frequency	60.00 Hz
Haz Area Class and Group	None
Haz Area Division	Not Applicable
Motor Letter Type	Three Phase
Output @ Frequency	50.000 HP @ 60 HZ
Phase	3
Synchronous Speed @ Frequency	1800 RPM @ 60 HZ
Voltage @ Frequency	575.0 V @ 60 HZ
Agency Approvals	UR CSA CSA EEV
Ambient Temperature	40 °C
Auxillary Box	No Auxillary Box
Auxillary Box Lead Termination	None
Base Indicator	Rigid
Bearing Grease Type	Polyrex EM (-20F +300F)
Blower	None
Current @ Voltage	50.000 A @ 575.0 V
Design Code	B
Drip Cover	No Drip Cover
Duty Rating	CONT
Efficiency @ 100% Load	94.5 %
Electrically Isolated Bearing	Not Electrically Isolated
Feedback Device	NO FEEDBACK
Front Face Code	Standard
Front Shaft Indicator	None
Heater Indicator	No Heater
High Voltage Full Load Amps	50.0 a
Insulation Class	F

Part detail

Revision	X
Type	AC
Mech. spec.	12G122
Base	
Status	PRD/A
Elec. spec.	12WGX283
Layout	12LYG122
Eff. date	07-10-2024
CD Diagram	CD0006
Poles	04
Leads	3#8
Proprietary	False
Created date	12-05-2011

Inverter Code	Inverter Ready
KVA Code	H
Lifting Lugs	Standard Lifting Lugs
Locked Bearing Indicator	Locked Bearing
Motor Lead Exit	Ko Box
Motor Lead Quantity/Wire Size	3 @ 8 AWG
Motor Lead Termination	Flying Leads
Motor Standards	NEMA
Motor Type	1266M
Mounting Arrangement	F1
Number of Poles	4
Overall Length	30.28 IN
Power Factor	87
Product Family	General Purpose
Pulley End Bearing Type	Ball
Pulley Face Code	Standard
Pulley Shaft Indicator	Standard
Rodent Screen	None
Service Factor	1.15
Shaft Diameter	2.125 IN
Shaft Extension Location	Pulley End
Shaft Ground Indicator	Mounting Provisions Only
Shaft Rotation	Reversible
Shaft Slinger Indicator	No Slinger
Speed	1775 rpm
Speed Code	Single Speed
Starting Method	Direct on line
Thermal Device - Bearing	NONE (OLD)
Thermal Device - Winding	None
Vibration Sensor Indicator	No Vibration Sensor
Winding Thermal 1	None
Winding Thermal 2	None

Nameplate

NP2138L

CAT.NO.	EHM4115T-5	P/N		ENCLOSURE	TEFC
SPEC.	12G122X283G1	CC	010A	FRAME	326T
HP	50	CLASS	F	HZ	60
RPM	1775	PH	3	DES	B
VOLT	575	KVA-CODE	H	ODE BRG	6311 DE BRG 6312
AMP	50				
RATING	40C AMB-CONT	GREASE	POLYREX EM		
NEMA-NOM-EFF	94.5	PF	87	SER.F.	1.15
HTR-VOLTS		HTR-AMPS			

AC Induction Motor Performance Data

Record # 3434

Typical performance - not guaranteed values

Winding: 12WGX283-R001		Type: 1266M	Enclosure: TEFC
Nameplate Data		575 V, 60 Hz: Single Voltage Motor	
Rated Output (HP)	50	Full Load Torque	149 LB-FT
Volts	575	Start Configuration	direct on line
Full Load Amps	45.6	Breakdown Torque	446 LB-FT
R.P.M.	1775	Pull-up Torque	210 LB-FT
Hz	60 Phase	Locked-rotor Torque	229 LB-FT
NEMA Design Code	B KVA Code	Starting Current	318 A
Service Factor (S.F.)	1.15	No-load Current	16.6 A
NEMA Nom. Eff.	94.5 Power Factor	Line-line Res. @ 25°C	0.168 Ω
Rating - Duty	40C AMB-CONT	Temp. Rise @ Rated Load	64°C
S.F. Amps		Temp. Rise @ S.F. Load	77°C
		Locked-rotor Power Factor	27
		Rotor inertia	8.79 LB-FT ²

Load Characteristics 575 V, 60 Hz, 50 HP

% of Rated Load	25	50	75	100	125	150	S.F.
Power Factor	47	81	80	88	88	87	88
Efficiency	91.5	94.4	94.9	94.7	94.3	93.6	94.5
Speed	1795	1790	1784	1778	1773	1765	1775
Line amperes	22.2	25	37.6	45.6	57	69	52.44

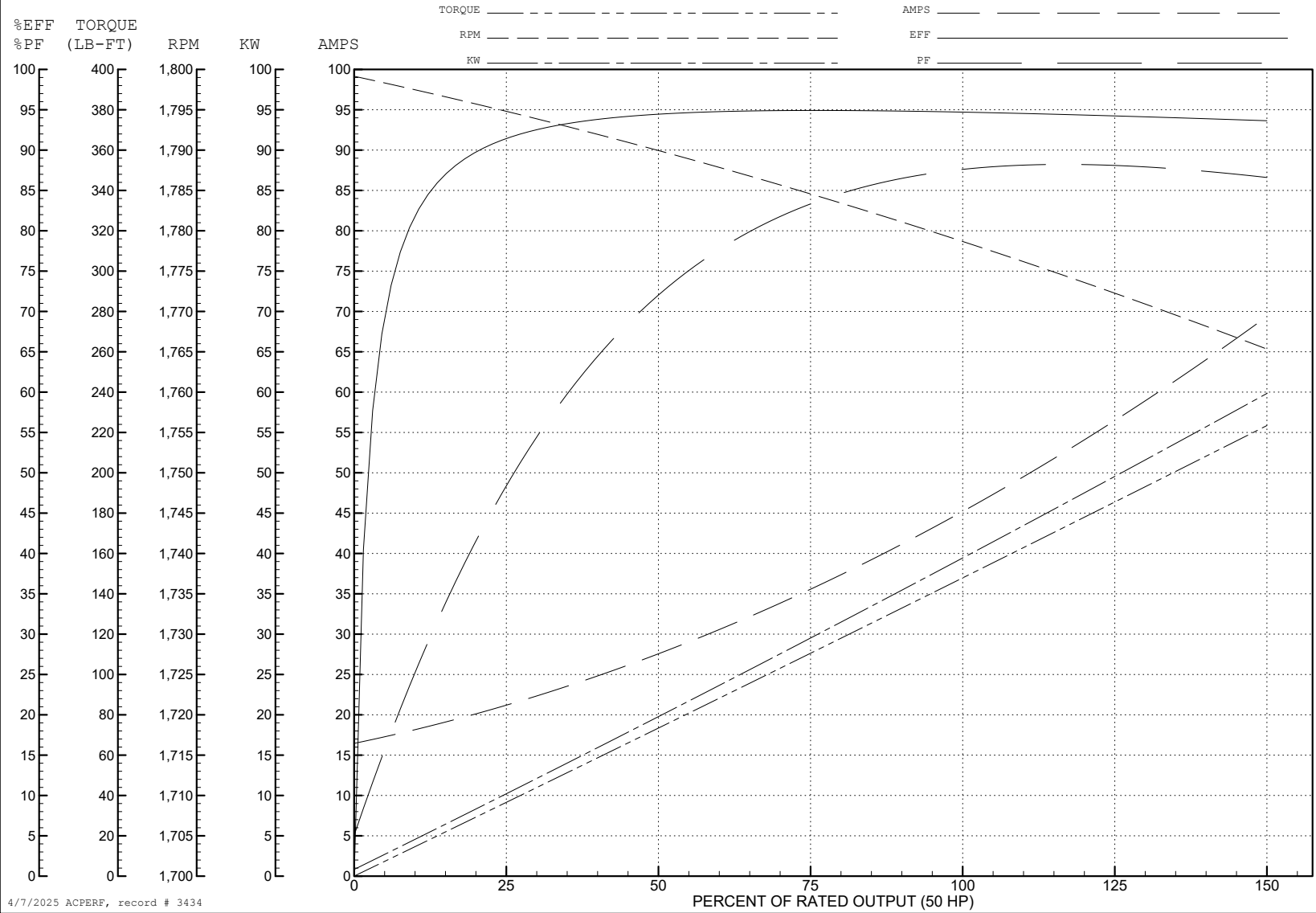
ABB Motors and Mechanical Inc.

WINDING # 12WGX283

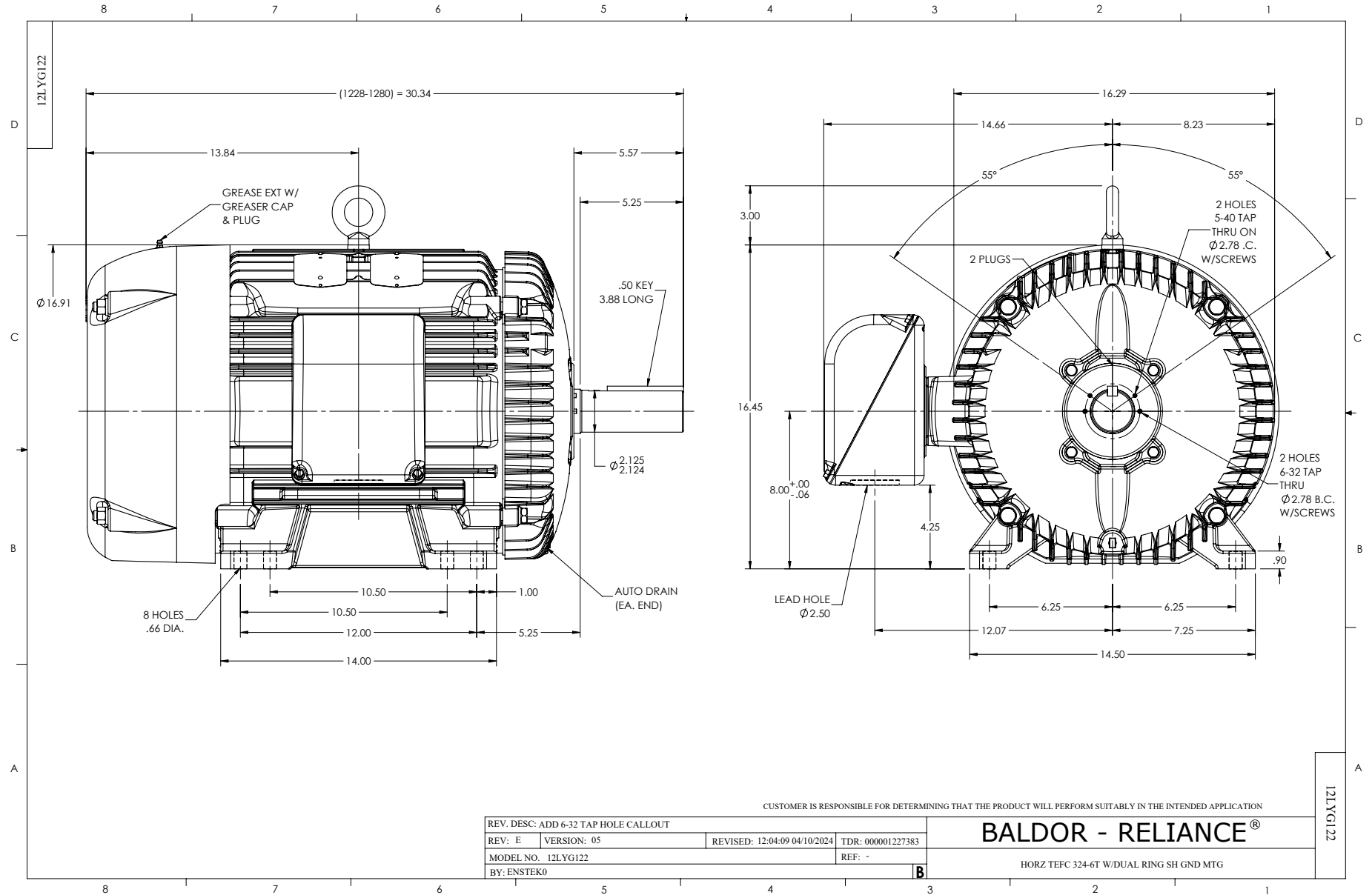
Typical performance - not guaranteed values.

50 HP 3 PH 60 HZ 1775 RPM 575 V 1266M

TORQUES (LB-FT): PO=446 PU=210 LR=229 LRA=318



4/7/2025 ACPERF, record # 3434



CD0006



NOTES:

1. THREE LEAD MOTOR MAY BE EITHER WYE CONNECTED OR DELTA CONNECTED.
2. INTERCHANGE ANY TWO LINE LEADS TO REVERSE ROTATION.
3. OPTIONAL THERMOSTATS ARE PROVIDED WHEN SPECIFIED.
4. ACTUAL NUMBER OF INTERNAL PARALLEL CIRCUITS MAY VARY.
5. LEAD COLORS ARE OPTIONAL. LEADS MUST BE NUMBERED AS SHOWN.

CD0006

REV. DESC: ADD CLASS CONN00000007		
REV. LTR: E	VERSION: 01	TDR: 000001099922
FILE: \AAA\00005\141	REVISED: 10:24:49 02/19/2019	BY: ENBRIRO
MTL: -	© □	

BALDOR - RELIANCE®

3PH, SV, 3 LEADS, WYE OR DELTA CONNECTED

SH 1 of 1