

BALDOR • RELIANCE

Customer information packet

EWDM23994T

15HP, 3450RPM, 3PH, 60HZ, 254T, TEFC, F1

Class - None

Division - Not Applicable

Copyright © All product information within this document is subject to ABB Motors and Mechanical Inc. copyright © protection, unless otherwise noted.

4/7/2025 11:14:33 AM

Specifications

Enclosure	TEFC
Frame	254T
Frame Material	Steel
Frequency	60.00 Hz
Haz Area Class and Group	None
Haz Area Division	Not Applicable
Motor Letter Type	Three Phase
Output @ Frequency	15.000 HP @ 60 HZ
Phase	3
Synchronous Speed @ Frequency	3600 RPM @ 60 HZ
Voltage @ Frequency	230.0 V @ 60 HZ 460.0 V @ 60 HZ
Agency Approvals	CSA CSA EEV NEMA PREMIUM UR
Ambient Temperature	40 °C
Auxillary Box	No Auxillary Box
Auxillary Box Lead Termination	None
Base Indicator	Rigid
Bearing Grease Type	Polyrex EM (-20F +300F)
Blower	None
Current @ Voltage	15.300 A @ 460.0 V 30.600 A @ 230.0 V
Design Code	A
Drip Cover	No Drip Cover
Duty Rating	CONT
Efficiency @ 100% Load	91.0 %
Electrically Isolated Bearing	Not Electrically Isolated
Feedback Device	NO FEEDBACK
Heater Indicator	No Heater
High Voltage Full Load Amps	15.3 a

Part detail

Revision	D
Type	AC
Mech. spec.	
Base	
Status	PRD/A
Elec. spec.	37WGL723
Layout	37LY-000-114
Eff. date	02-14-2024
CD Diagram	CD0005
Poles	02
Leads	9#12
Proprietary	False
Created date	01-21-2020

Insulation Class	F
Inverter Code	Inverter Ready
KVA Code	G
Lifting Lugs	Standard Lifting Lugs
Locked Bearing Indicator	No Locked Bearing
Motor Lead Termination	Flying Leads
Motor Standards	NEMA
Motor Type	3756M
Mounting Arrangement	F1
Number of Poles	2
Overall Length	22.32 IN
Power Factor	98
Product Family	Wash Down
Pulley Face Code	Standard
Rodent Screen	None
Service Factor	1.15
Shaft Diameter	1.625 IN
Shaft Ground Indicator	No Shaft Grounding
Shaft Rotation	Reversible
Speed	3450 rpm
Speed Code	Single Speed
Starting Method	Direct on line
Thermal Device - Bearing	None
Thermal Device - Winding	None
Vibration Sensor Indicator	No Vibration Sensor
Winding Thermal 1	None
Winding Thermal 2	None

Nameplate

NP1669L									
CAT.NO.	EWDM23994T								
SPEC.	37-0000-0198								
HP	15								
VOLTS	230/460								
AMP	30.6/15.3								
RPM	3450								
FRAME	254T		HZ	60		PH	3		
SER.F.	1.15	CODE	G	DES	A	CLASS	F		
NEMA-NOM-EFF	91	PF	98						
RATING	40C AMB-CONT								
CC	010A								
DE	6309		ODE	6206					
ENCL	TEFC	SN							
BLANK	20: CT, 20:1 VT, 1.00SF								

AC Induction Motor Performance Data

Record # 66521

Typical performance - not guaranteed values

Winding: 37WGL723-R001		Type: 3756M		Enclosure: TEFC	
Nameplate Data			460 V, 60 Hz: High Voltage Connection		
Rated Output (HP)	15	Full Load Torque	22.11 LB-FT		
Volts	230/460	Start Configuration	direct on line		
Full Load Amps	30.6/15.3	Breakdown Torque	67.78 LB-FT		
R.P.M.	3450	Pull-up Torque	34.29 LB-FT		
Hz	60	Phase	3	Locked-rotor Torque	39.15 LB-FT
NEMA Design Code	B	KVA Code	G	Starting Current	114 A
Service Factor (S.F.)	1.15	No-load Current	2.51 A		
NEMA Nom. Eff.	91	Power Factor	98	Line-line Res. @ 25°C	0.545 Ω
Rating - Duty	40C AMB-CONT		Temp. Rise @ Rated Load	78°C	
S.F. Amps			Temp. Rise @ S.F. Load	100°C	
			Locked-rotor Power Factor	29.7	
			Rotor inertia	0.512 LB-FT ²	

Load Characteristics 460 V, 60 Hz, 15 HP

% of Rated Load	25	50	75	100	125	150	S.F.
Power Factor	88	98	99	98	97	95	97
Efficiency	90.4	92.9	92.3	91.4	90	88	90
Speed	3573	3543	3512	3479	3440	3392	3439
Line amperes	4.12	7.42	11.12	15.27	19.85	25.61	18.2

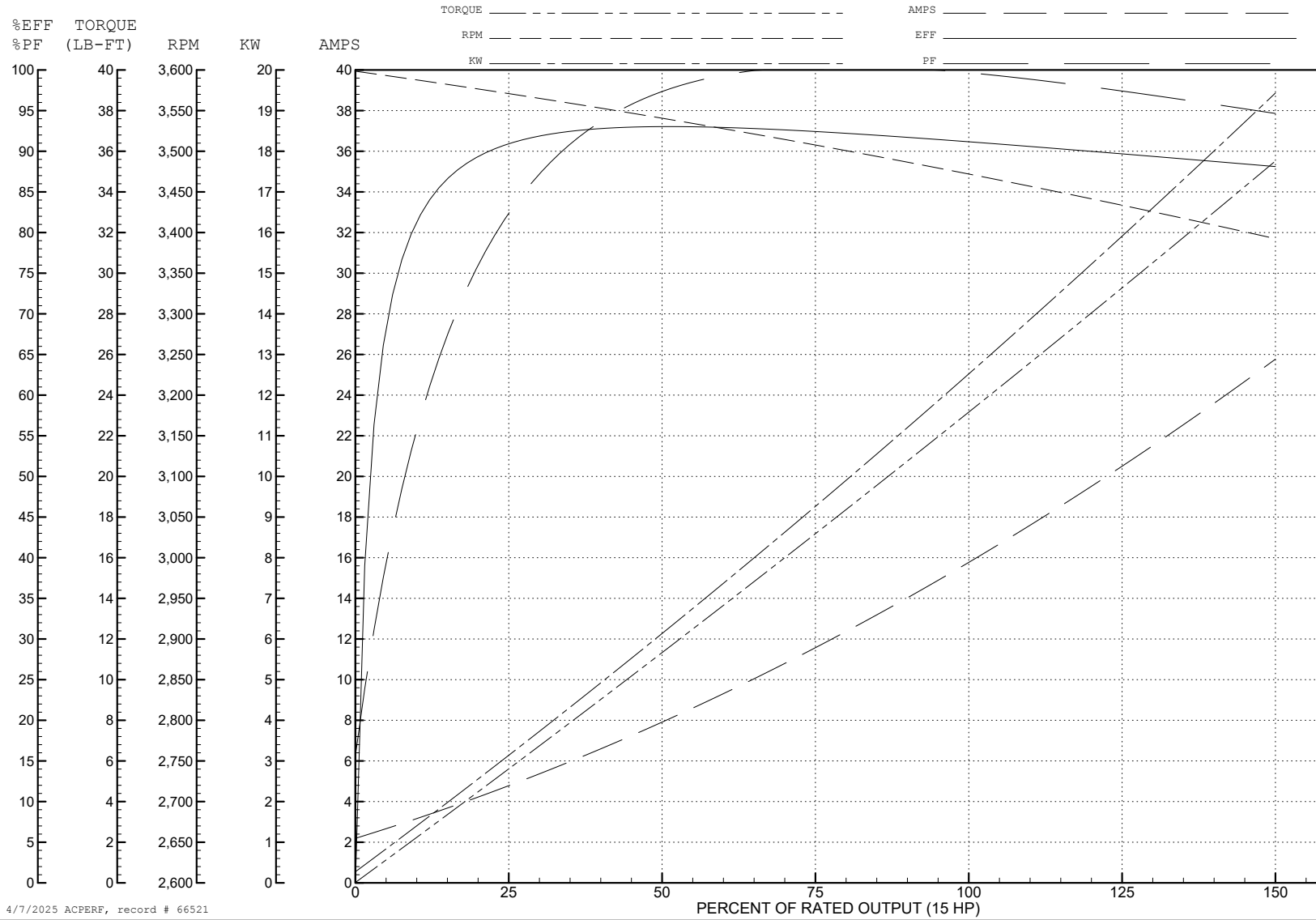
ABB Motors and Mechanical Inc.

WINDING # 37WGL723

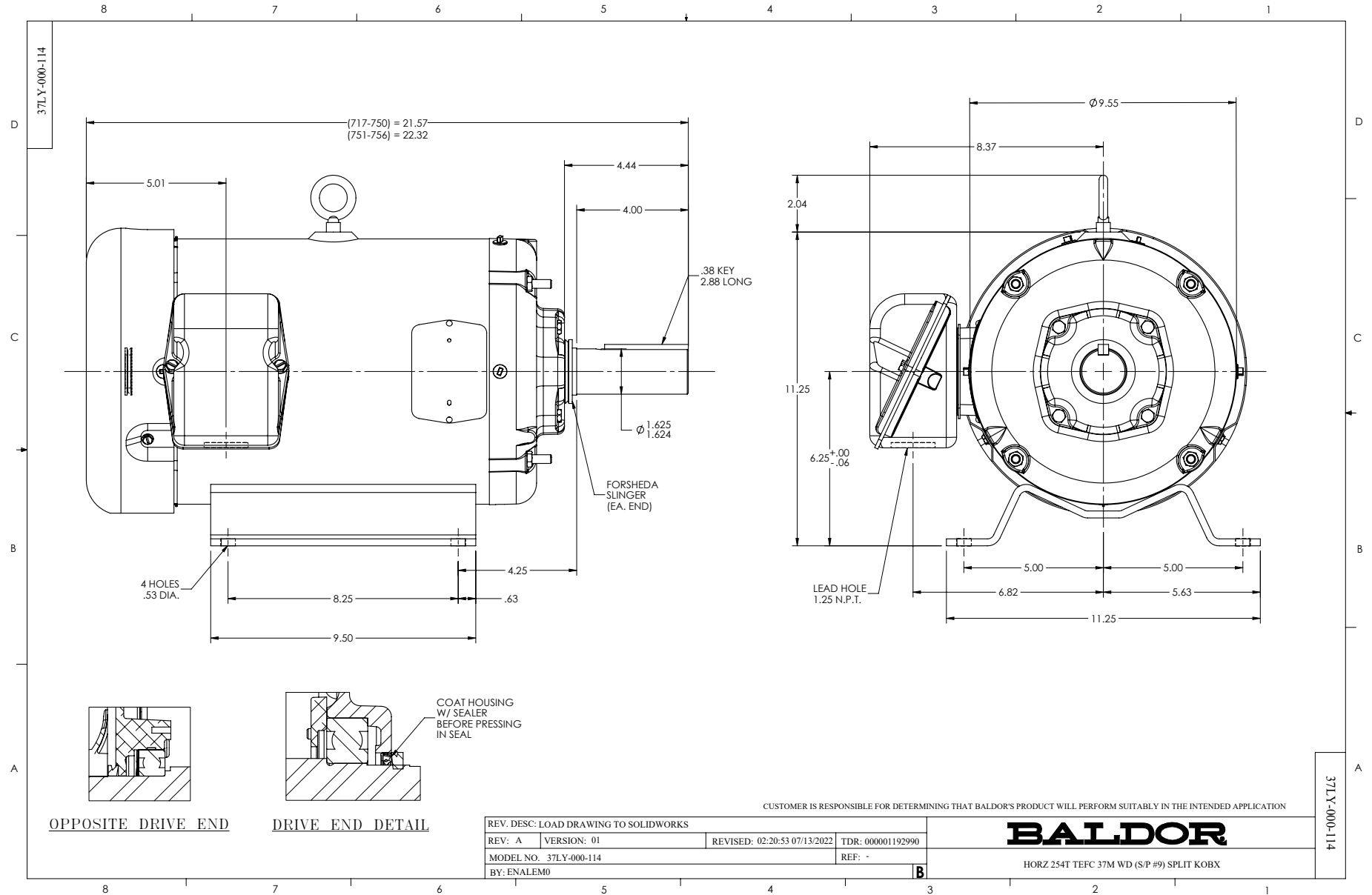
Typical performance - not guaranteed values.

15 HP 3 PH 60 HZ 3450 RPM 460 V 3756M

TORQUES (LB-FT): PO=67.78 PU=34.29 LR=39.15 LRA=114



4/7/2025 ACPERF, record # 66521



CD0005



LOW VOLTAGE
(2Y)



HIGH VOLTAGE
(1Y)



NOTES:

1. INTERCHANGE ANY TWO LINE LEADS TO REVERSE ROTATION.
2. OPTIONAL THERMOSTATS ARE PROVIDED WHEN SPECIFIED.
3. ACTUAL NUMBER OF INTERNAL PARALLEL CIRCUITS MAY BE A MULTIPLE OF THOSE SHOWN ABOVE.
4. LEAD COLORS ARE OPTIONAL. LEADS MUST ALWAYS BE NUMBERED AS SHOWN.

CD0005

REV. DESC: REVISE TO SHOW OPTIONAL COLORS			
REV. LTR: E	BY: JLP	REVISED: 01/19/99 10:15	TDR: 0171435
S00000		FILE: AAA00005140	MDL: -
		MTL: -	

BALDOR ELECTRIC Co.

3PH, DV, 9 LEADS