

**BALDOR • RELIANCE**

---

# Customer information packet

## JMEWDM4109T

40HP, 3550RPM, 3PH, 60HZ, 324JM, TEFC, F1

Class - None

Division - Not Applicable

Copyright © All product information within this document is subject to ABB Motors and Mechanical Inc. copyright © protection, unless otherwise noted.

4/7/2025 12:02:38 PM

## Specifications

Enclosure	TEFC
Frame	324JM
Frame Material	Iron
Frequency	60.00 Hz
Haz Area Class and Group	None
Haz Area Division	Not Applicable
Motor Letter Type	Three Phase
Output @ Frequency	40.000 HP @ 60 HZ
Phase	3
Synchronous Speed @ Frequency	3600 RPM @ 60 HZ
Voltage @ Frequency	230.0 V @ 60 HZ 460.0 V @ 60 HZ
Agency Approvals	CSA CSA EEV NEMA PREMIUM UR
Ambient Temperature	40 °C
Auxillary Box	No Auxillary Box
Auxillary Box Lead Termination	None
Base Indicator	Rigid
Bearing Grease Type	Polyrex EM (-20F +300F)
Blower	None
Current @ Voltage	94.000 A @ 230.0 V 47.000 A @ 460.0 V
Design Code	B
Drip Cover	No Drip Cover
Duty Rating	CONT
Efficiency @ 100% Load	92.4 %
Electrically Isolated Bearing	Not Electrically Isolated
Feedback Device	NO FEEDBACK
Heater Indicator	No Heater
High Voltage Full Load Amps	47.0 a

## Part detail

Revision	D
Type	AC
Mech. spec.	
Base	
Status	PRD/A
Elec. spec.	12WGY202
Layout	12LYL057
Eff. date	02-21-2024
CD Diagram	CD0180
Poles	02
Leads	9#8
Proprietary	False
Created date	01-20-2020

<b>Insulation Class</b>	F
<b>Inverter Code</b>	Inverter Ready
<b>IP Rating</b>	NONE
<b>KVA Code</b>	H
<b>Lifting Lugs</b>	Standard Lifting Lugs
<b>Locked Bearing Indicator</b>	Locked Bearing
<b>Motor Lead Termination</b>	Flying Leads
<b>Motor Standards</b>	NEMA
<b>Motor Type</b>	1256M
<b>Mounting Arrangement</b>	F1
<b>Number of Poles</b>	2
<b>Overall Length</b>	30.53 IN
<b>Power Factor</b>	85
<b>Product Family</b>	Washdown Features
<b>Pulley Face Code</b>	C-Face
<b>Rodent Screen</b>	None
<b>Service Factor</b>	1.15
<b>Shaft Diameter</b>	1.375 IN
<b>Shaft Ground Indicator</b>	No Shaft Grounding
<b>Shaft Rotation</b>	Reversible
<b>Speed</b>	3550 rpm
<b>Speed Code</b>	Single Speed
<b>Starting Method</b>	Direct on line
<b>Thermal Device - Bearing</b>	None
<b>Thermal Device - Winding</b>	None
<b>Vibration Sensor Indicator</b>	No Vibration Sensor
<b>Winding Thermal 1</b>	None
<b>Winding Thermal 2</b>	None

**Nameplate**

<b>NP1669L</b>									
<b>CAT.NO.</b>	JMEWDM4109T								
<b>SPEC.</b>	12-0000-1430								
<b>HP</b>	40								
<b>VOLTS</b>	230/460								
<b>AMP</b>	94/47								
<b>RPM</b>	3550								
<b>FRAME</b>	324JM		<b>HZ</b>	60		<b>PH</b>	3		
<b>SER.F.</b>	1.15	<b>CODE</b>	H	<b>DES</b>	B	<b>CLASS</b>	F		
<b>NEMA-NOM-EFF</b>	92.4	<b>PF</b>	85						
<b>RATING</b>	40C AMB-CONT								
<b>CC</b>	010A								
<b>DE</b>	6312		<b>ODE</b>	6311					
<b>ENCL</b>	TEFC	<b>SN</b>							
<b>BLANK</b>	10:1 CT & VT,1.0SF								

**AC Induction Motor Performance Data**

Record # 29691

Typical performance - not guaranteed values

Winding: 12WGY202-R001		Type: 1256M	Enclosure: TEFC	
<b>Nameplate Data</b>			<b>460 V, 60 Hz: High Voltage Connection</b>	
Rated Output (HP)	40	Full Load Torque	58.9 LB-FT	
Volts	230/460	Start Configuration	direct on line	
Full Load Amps	94/47	Breakdown Torque	241 LB-FT	
R.P.M.	3550	Pull-up Torque	61.2 LB-FT	
Hz	60 Phase	3	Locked-rotor Torque	93.8 LB-FT
NEMA Design Code	A KVA Code	H	Starting Current	323 A
Service Factor (S.F.)	1.15	No-load Current	19.3 A	
NEMA Nom. Eff.	93 Power Factor	85	Line-line Res. @ 25°C	0.13 Ω
Rating - Duty	40C AMB-CONT	Temp. Rise @ Rated Load	58°C	
S.F. Amps		Temp. Rise @ S.F. Load	72°C	
		Locked-rotor Power Factor	21.7	
		Rotor inertia	4.36 lb-ft <sup>2</sup>	

**Load Characteristics 460 V, 60 Hz, 40 HP**

% of Rated Load	25	50	75	100	125	150	S.F.
Power Factor	49	71	81	85	87	88	86
Efficiency	87.3	91.4	92.9	93.1	93.1	92.7	93.1
Speed	3588	3578	3567	3555	3543	3530	3548
Line amperes	22	28.7	37.4	47	57.4	68.4	53.2

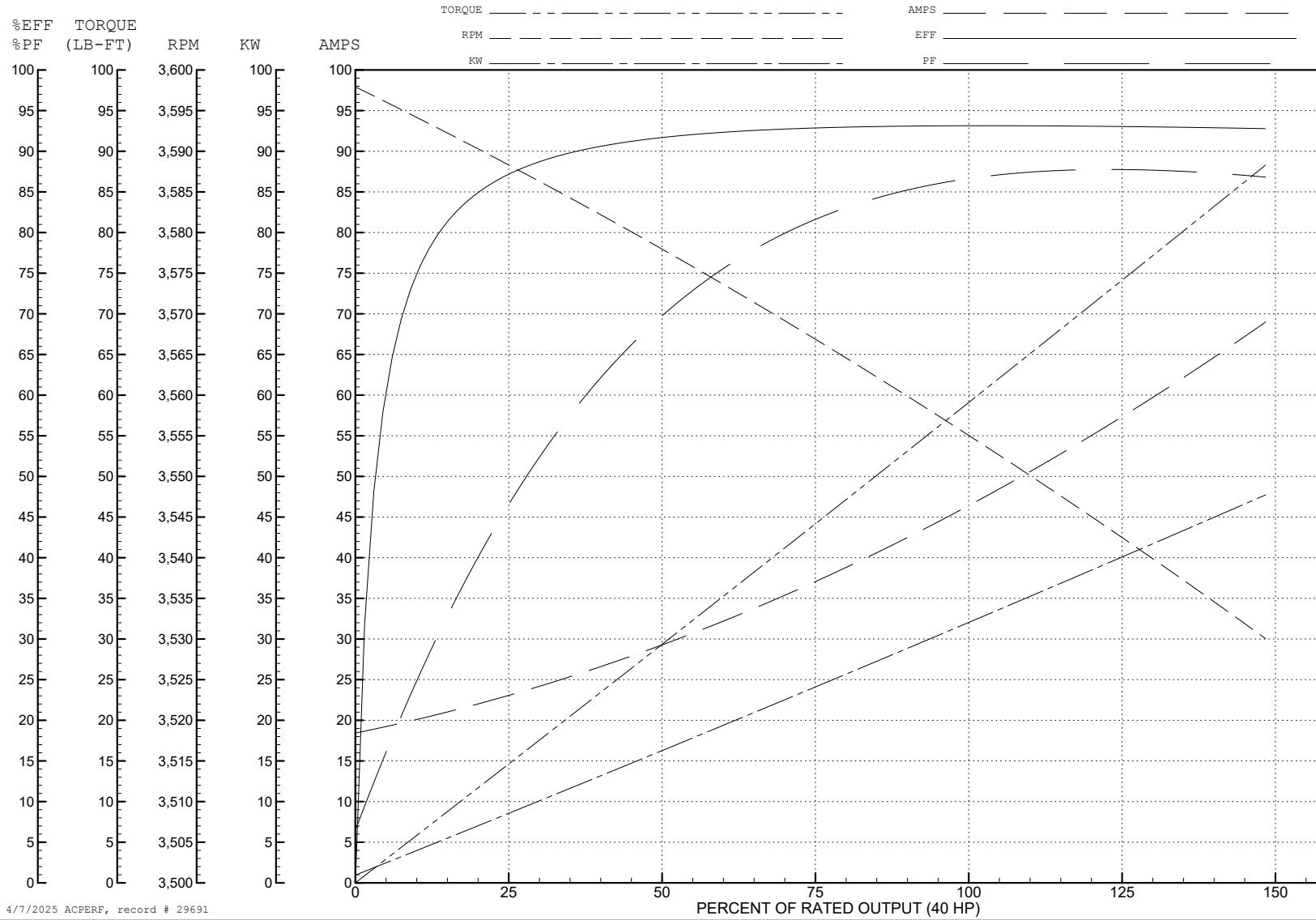
ABB Motors and Mechanical Inc.

WINDING # 12WGY202

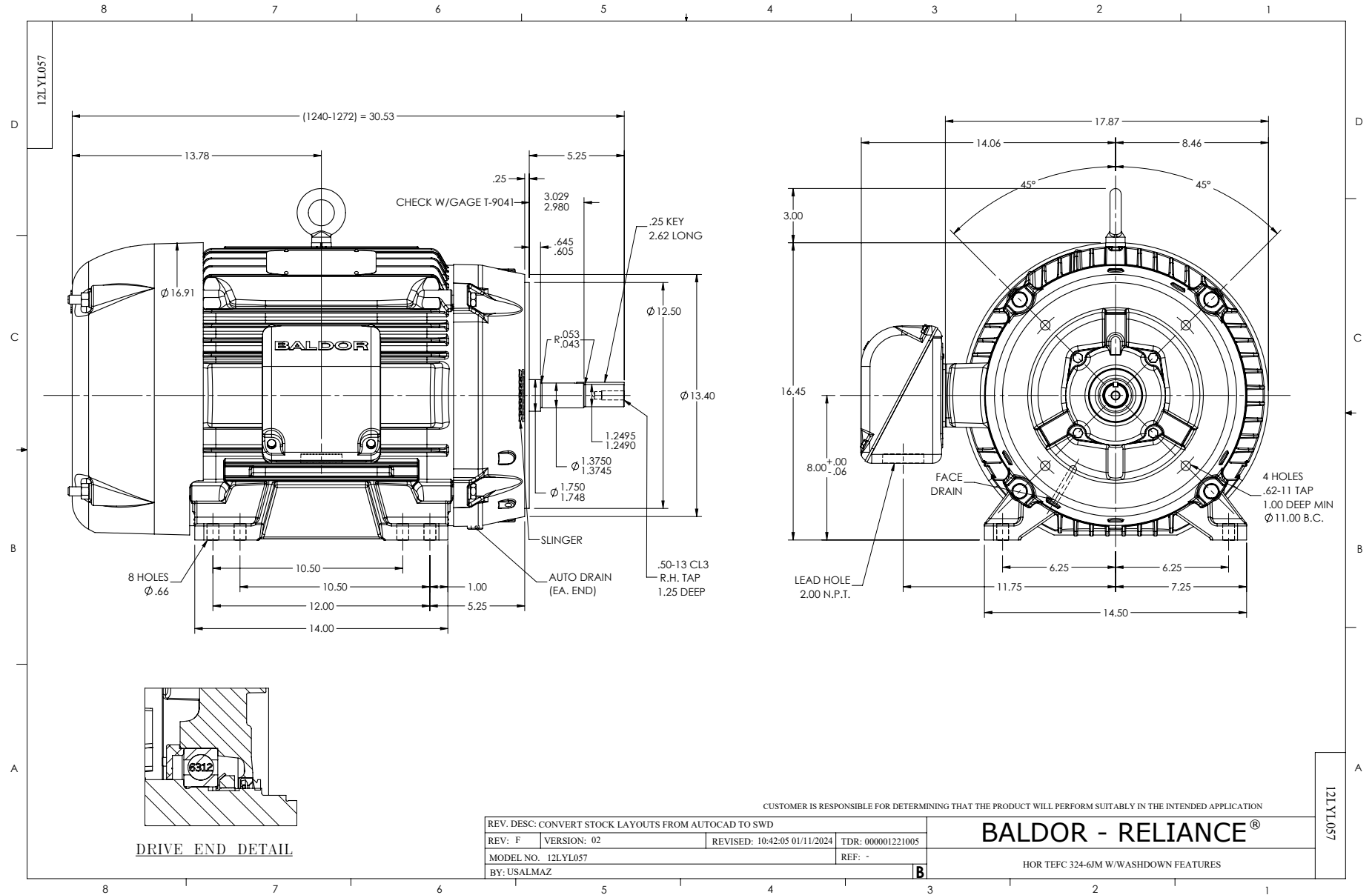
Typical performance - not guaranteed values.

40 HP 3 PH 60 HZ 3550 RPM 460 V 1256M

TORQUES (LB-FT): PO=241 PU=61.2 LR=93.8 LRA=323



4/7/2025 ACPERF, record # 29691



CD0180



LOW VOLTAGE  
(2D)



HIGH VOLTAGE  
(1D)



**NOTES:**

1. INTERCHANGE ANY TWO LINE LEADS TO REVERSE ROTATION.
2. OPTIONAL THERMOSTATS ARE PROVIDED WHEN SPECIFIED.
3. ACTUAL NUMBER OF INTERNAL PARALLEL CIRCUITS MAY BE A MULTIPLE OF THOSE SHOWN ABOVE.
4. LEAD COLORS ARE OPTIONAL. LEADS MUST ALWAYS BE NUMBERED AS SHOWN.

CD0180

REV. DESC: ADD CLASS CONN00000007		
REV. LTR: D	VERSION: 01	TDR: 000001099922
FILE: \AAA\00005\148	REVISED: 10: 25: 29 02/19/2019	BY: ENBRIRO
MTL: -	© □	

**BALDOR - RELIANCE®**

3PH, DV, 9 LEADS, DELTA CONNECTION

SH 1 of 1