

BALDOR • RELIANCE

Customer information packet

VESWDM3546-5

1HP, 1770RPM, 3PH, 60HZ, 56C, 3522M, TENV, F1, N

Part detail

Revision	C
Type	AC
Mech. spec.	35S617
Base	
Status	PRD/A
Elec. spec.	35WGG198
Layout	35LYS617
Eff. date	04-23-2024
CD Diagram	CD0006
Poles	04
Leads	3#18
Proprietary	False
Created date	03-11-2022

Nameplate

NP1669L									
CAT.NO.	VESWDM3546-5								
SPEC.	35S617G198G1								
HP	1								
VOLTS	575								
AMP	1.3								
RPM	1770								
FRAME	56C		HZ	60		PH	3		
SER.F.	1.15	CODE	M	DES	B	CLASS	F		
NEMA-NOM-EFF	85.5	PF	67						
RATING	40C AMB-CONT								
CC	010A								
DE	6205		ODE	6203					
ENCL	TENV	SN							
BLANK	SFA 1.4								

AC Induction Motor Performance Data

Record # 82151

Typical performance - not guaranteed values

Winding: 35WGG198-R001		Type: 3522M		Enclosure: TEFC	
Nameplate Data			575 V, 60 Hz: Single Voltage Motor		
Rated Output (HP)	1	Full Load Torque	2.99 LB-FT		
Volts	575	Start Configuration	direct on line		
Full Load Amps	1.3	Breakdown Torque	16.37 LB-FT		
R.P.M.	1770	Pull-up Torque	7.31 LB-FT		
Hz	60	Locked-rotor Torque	10.16 LB-FT		
NEMA Design Code	B	Starting Current	12.72 A		
Service Factor (S.F.)	1.15	No-load Current	0.972 A		
NEMA Nom. Eff.	85.5	Line-line Res. @ 25°C	22.9 Ω		
Rating - Duty	40C	Temp. Rise @ Rated Load	63°C		
S.F. Amps	1.4	Temp. Rise @ S.F. Load	71°C		
		Locked-rotor Power Factor	59.6		
		Rotor inertia	0.159 lb-ft ²		

Load Characteristics 575 V, 60 Hz, 1 HP

% of Rated Load	25	50	75	100	125	150	S.F.
Power Factor	28	44	56	67	73	78	71
Efficiency	71.2	81.2	84.4	86	85.7	85.1	85.8
Speed	1793	1786	1781	1773	1766	1757	1769
Line amperes	0.988	1.06	1.18	1.32	1.49	1.69	1.42

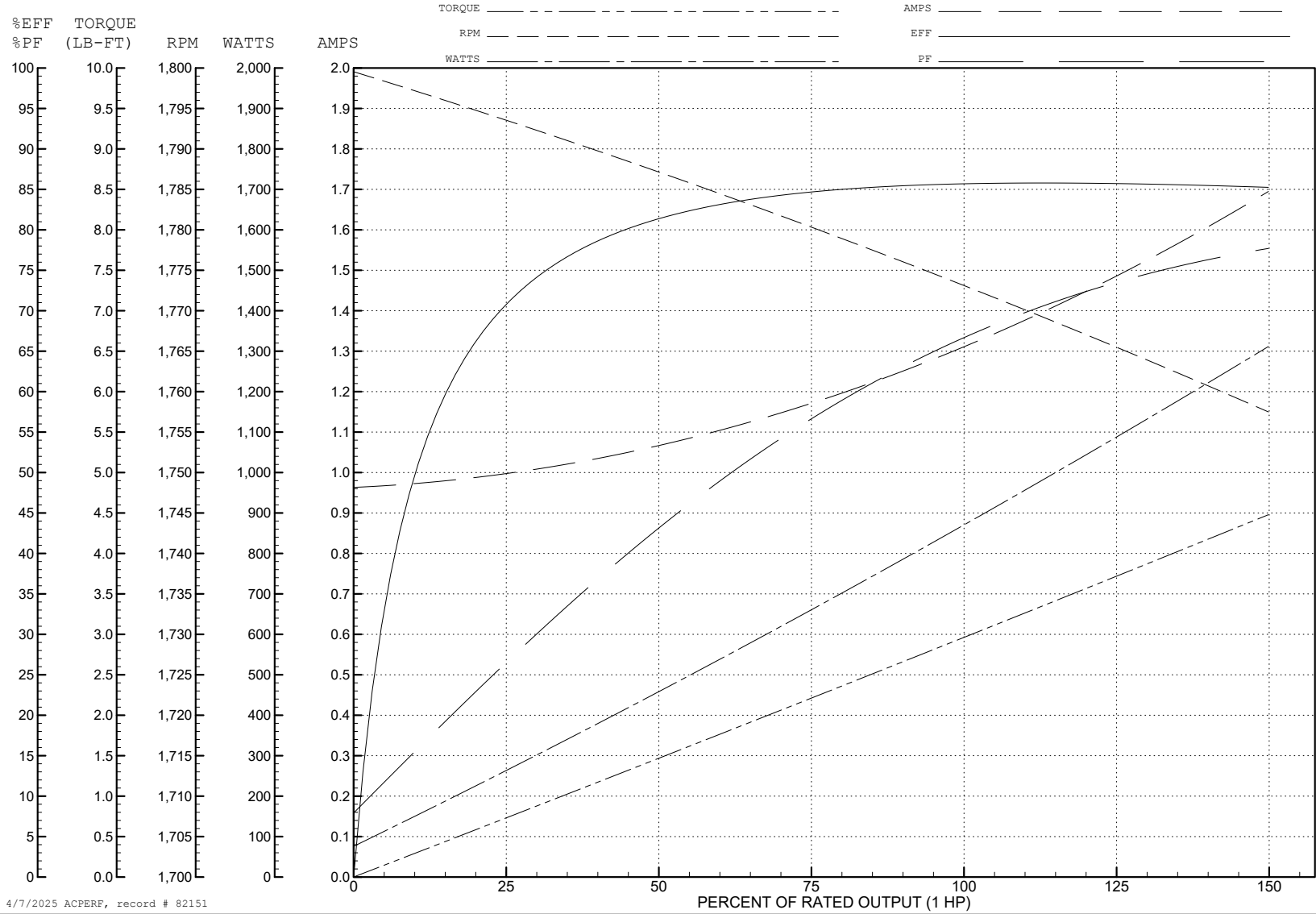
ABB Motors and Mechanical Inc.

WINDING # 35WGG198

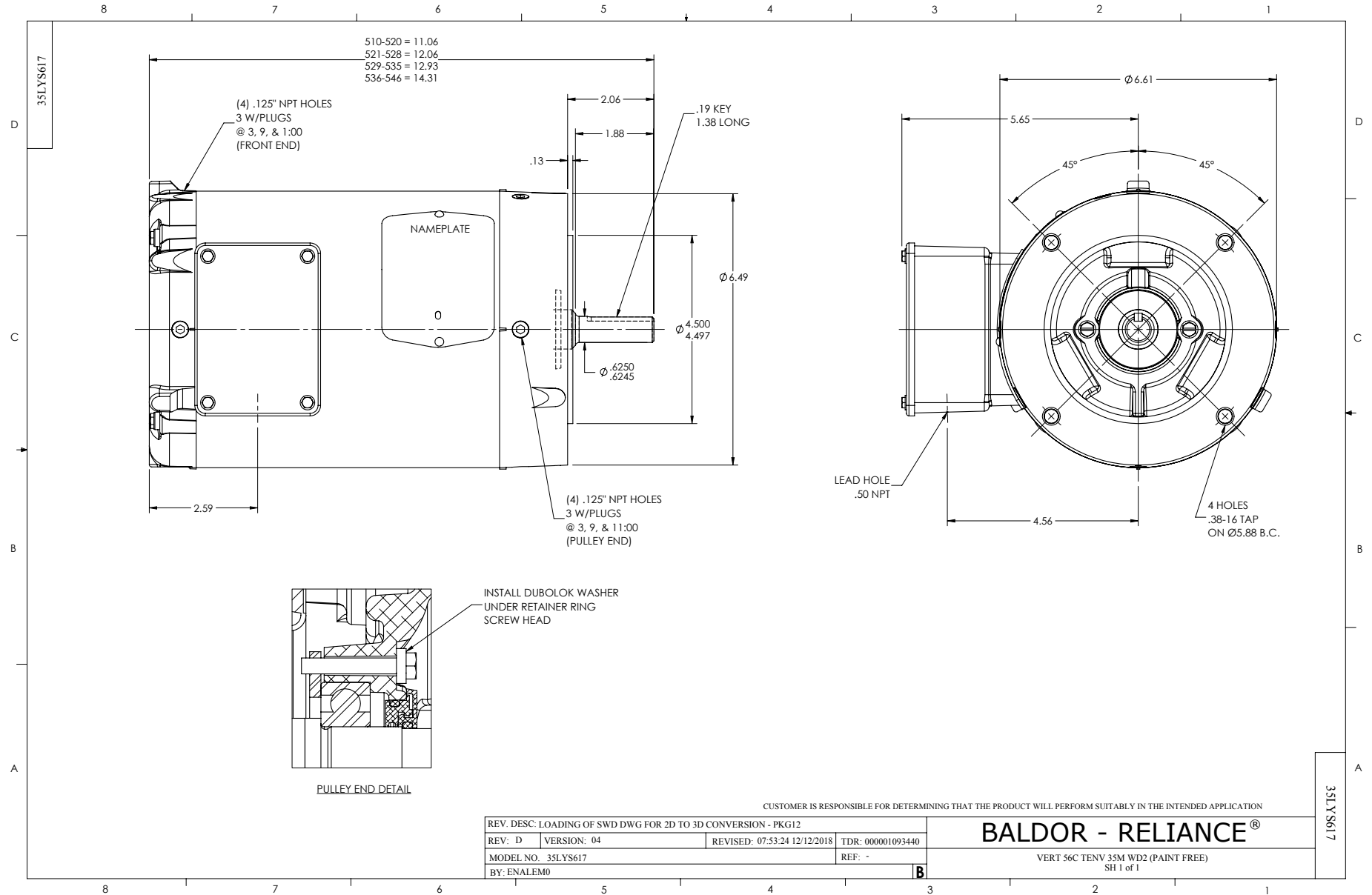
Typical performance - not guaranteed values.

1 HP 3 PH 60 HZ 1770 RPM 575 V 3522M

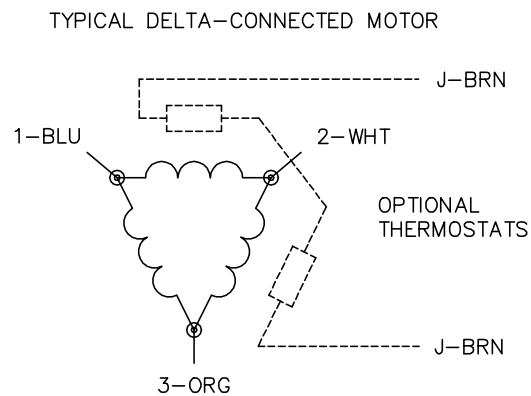
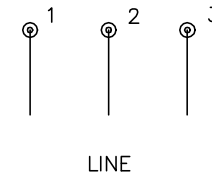
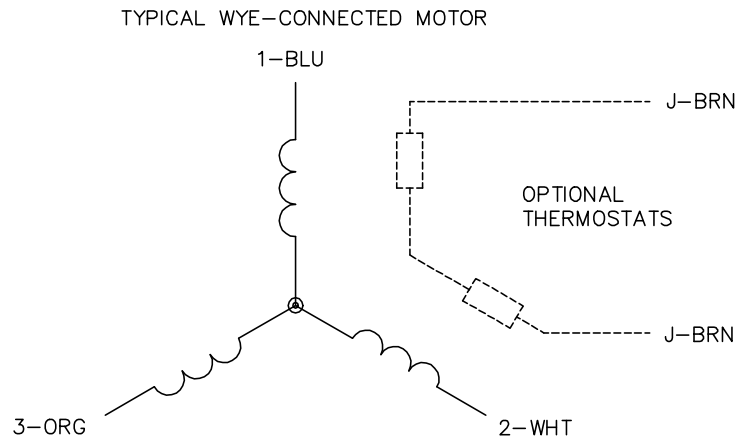
TORQUES (LB-FT): PO=16.37 PU=7.31 LR=10.16 LRA=12.72



4/7/2025 ACPERF, record # 82151



CD0006



NOTES:

1. THREE LEAD MOTOR MAY BE EITHER WYE CONNECTED OR DELTA CONNECTED.
2. INTERCHANGE ANY TWO LINE LEADS TO REVERSE ROTATION.
3. OPTIONAL THERMOSTATS ARE PROVIDED WHEN SPECIFIED.
4. ACTUAL NUMBER OF INTERNAL PARALLEL CIRCUITS MAY VARY.
5. LEAD COLORS ARE OPTIONAL. LEADS MUST BE NUMBERED AS SHOWN.

CD0006

REV. DESC: ADD CLASS CONN00000007		
REV. LTR: E	VERSION: 01	TDR: 000001099922
FILE: \AAA\00005\141	REVISED: 10:24:49 02/19/2019	BY: ENBRIRO
MTL: -	© □	

BALDOR - RELIANCE®

3PH, SV, 3 LEADS, WYE OR DELTA CONNECTED

SH 1 of 1