

BALDOR • RELIANCE

Customer information packet

VFSWDM3542-E-G

.75HP, 1770RPM, 3PH, 60HZ, 56C, 3520M, TENV, F1

Class - None

Division - Not Applicable

Specifications

Enclosure	TENV
Frame	56C
Frame Material	Stainless Steel
Frequency	60.00 Hz
Haz Area Class and Group	None
Haz Area Division	Not Applicable
Motor Letter Type	Three Phase
Output @ Frequency	.750 HP @ 60 HZ
Phase	3
Synchronous Speed @ Frequency	1800 RPM @ 60 HZ
Voltage @ Frequency	230.0 V @ 60 HZ 460.0 V @ 60 HZ
Agency Approvals	WEEE CURUSEEV NEMA PREMIUM
Ambient Temperature	40 °C
Auxillary Box	No Auxillary Box
Auxillary Box Lead Termination	None
Base Indicator	No Mounting
Bearing Grease Type	Polyrex EM (-20F +300F)
Blower	None
Current @ Voltage	2.500 A @ 230.0 V 1.250 A @ 460.0 V
Design Code	B
Drip Cover	No Drip Cover
Duty Rating	CONT
Efficiency @ 100% Load	84.0 %
Electrically Isolated Bearing	Not Electrically Isolated
Feedback Device	NO FEEDBACK
Front Shaft Indicator	None
Heater Indicator	No Heater
High Voltage Full Load Amps	1.3 a

Part detail

Revision	-
Type	AC
Mech. spec.	35E6050
Base	
Status	PRD/A
Elec. spec.	35WGK144
Layout	35LYE6050
Eff. date	10-31-2024
CD Diagram	CD0005
Poles	04
Leads	9#18
Proprietary	False
Created date	10-25-2024

Insulation Class	H
Inverter Code	Inverter Duty
KVA Code	N
Lifting Lugs	No Lifting Lugs
Locked Bearing Indicator	Locked Bearing
Max Speed	2700 rpm
Motor Finish	UNPAINTED
Motor Lead Quantity/Wire Size	9 @ 18 AWG
Motor Lead Termination	Flying Leads
Motor Standards	NEMA
Motor Type	3520M
Mounting Arrangement	F1
Number of Poles	4
Overall Length	11.78 IN
Power Factor	68
Product Family	WD All SS Encapsulated
Pulley End Bearing Type	Sealed Bearing
Pulley Face Code	C-Face
Pulley Shaft Indicator	Standard
Rodent Screen	None
RoHS Status	ROHS COMPLIANT
Service Factor	1.15
Shaft Diameter	0.625 IN
Shaft Ground Indicator	Shaft Grounding
Shaft Rotation	Reversible
Shaft Slinger Indicator	No Slinger
Speed	1770 rpm
Speed Code	Single Speed
Starting Method	Direct on line
Thermal Device - Bearing	None
Thermal Device - Winding	None
Vibration Sensor Indicator	No Vibration Sensor
Winding Thermal 1	None
Winding Thermal 2	None

AC Induction Motor Performance Data

Record # 39345

Typical performance - not guaranteed values

Winding: 35WGP564-R005		Type: 3522M	Enclosure: TENV	
Nameplate Data			460 V, 60 Hz: High Voltage Connection	
Rated Output (HP)	.75	Full Load Torque	2.24 LB-FT	
Volts	208-230/460	Start Configuration	direct on line	
Full Load Amps	2.6/1.3	Breakdown Torque	11.1 LB-FT	
R.P.M.	1760	Pull-up Torque	5.62 LB-FT	
Hz	60	Locked-rotor Torque	8.1 LB-FT	
NEMA Design Code	B	Starting Current	11.1 A	
Service Factor (S.F.)	1.15	No-load Current	0.774 A	
NEMA Nom. Eff.	84	Line-line Res. @ 25°C	16 Ω	
Rating - Duty	40C AMB-CONT	Temp. Rise @ Rated Load	60°C	
S.F. Amps		Temp. Rise @ S.F. Load	69°C	
		Locked-rotor Power Factor	51.3	
		Rotor inertia	0.13 LB-FT ²	

Load Characteristics 460 V, 60 Hz, 0.75 HP

% of Rated Load	25	50	75	100	125	150	S.F.
Power Factor	32	49	62	69	76	81	69
Efficiency	71.7	81	84.4	85.4	85.2	84.9	84.2
Speed	1790	1782	1774	1765	1755	1744	1752
Line amperes	0.808	0.891	1.01	1.19	1.36	1.54	1.39

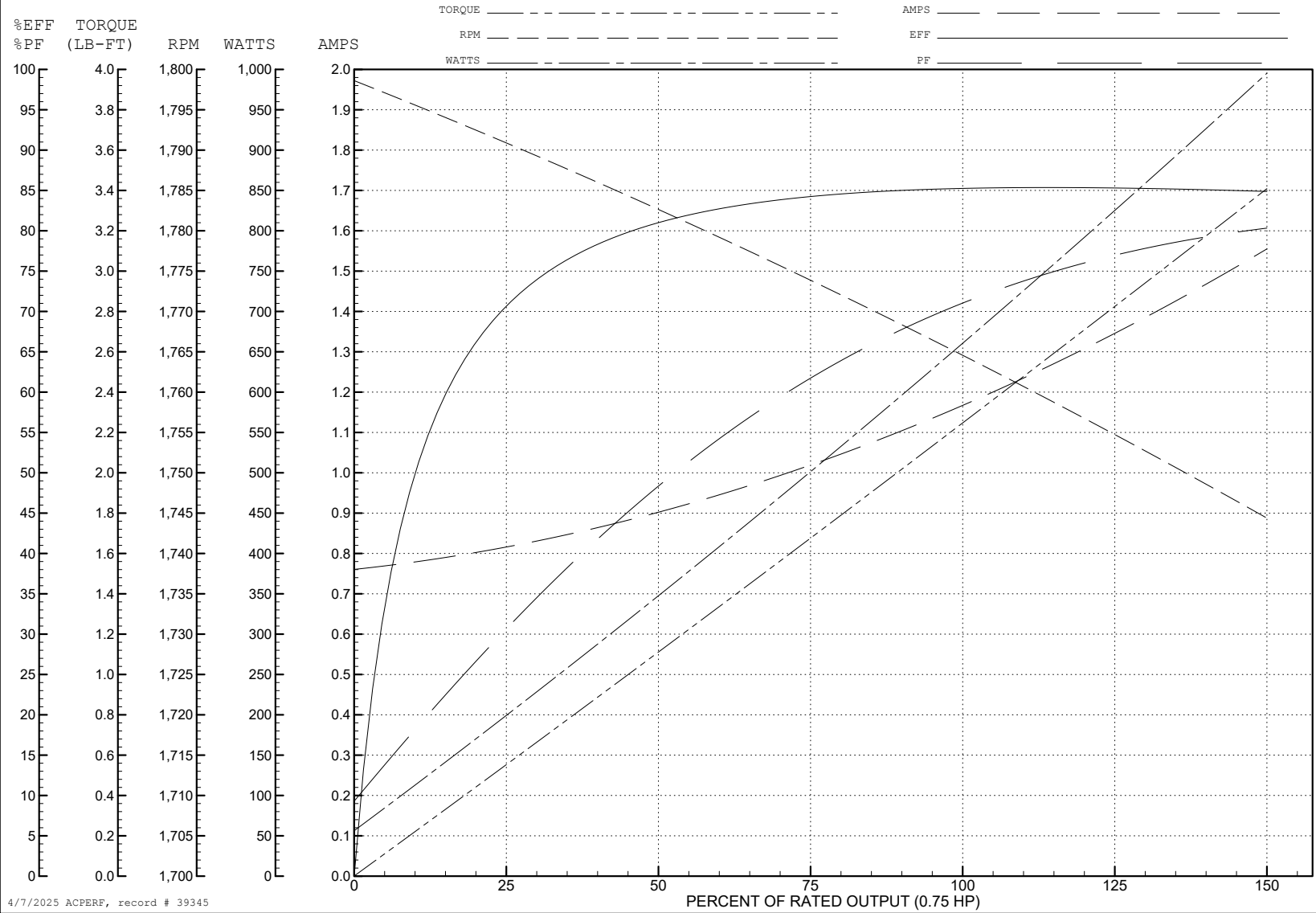
ABB Motors and Mechanical Inc.

WINDING # 35WGP564

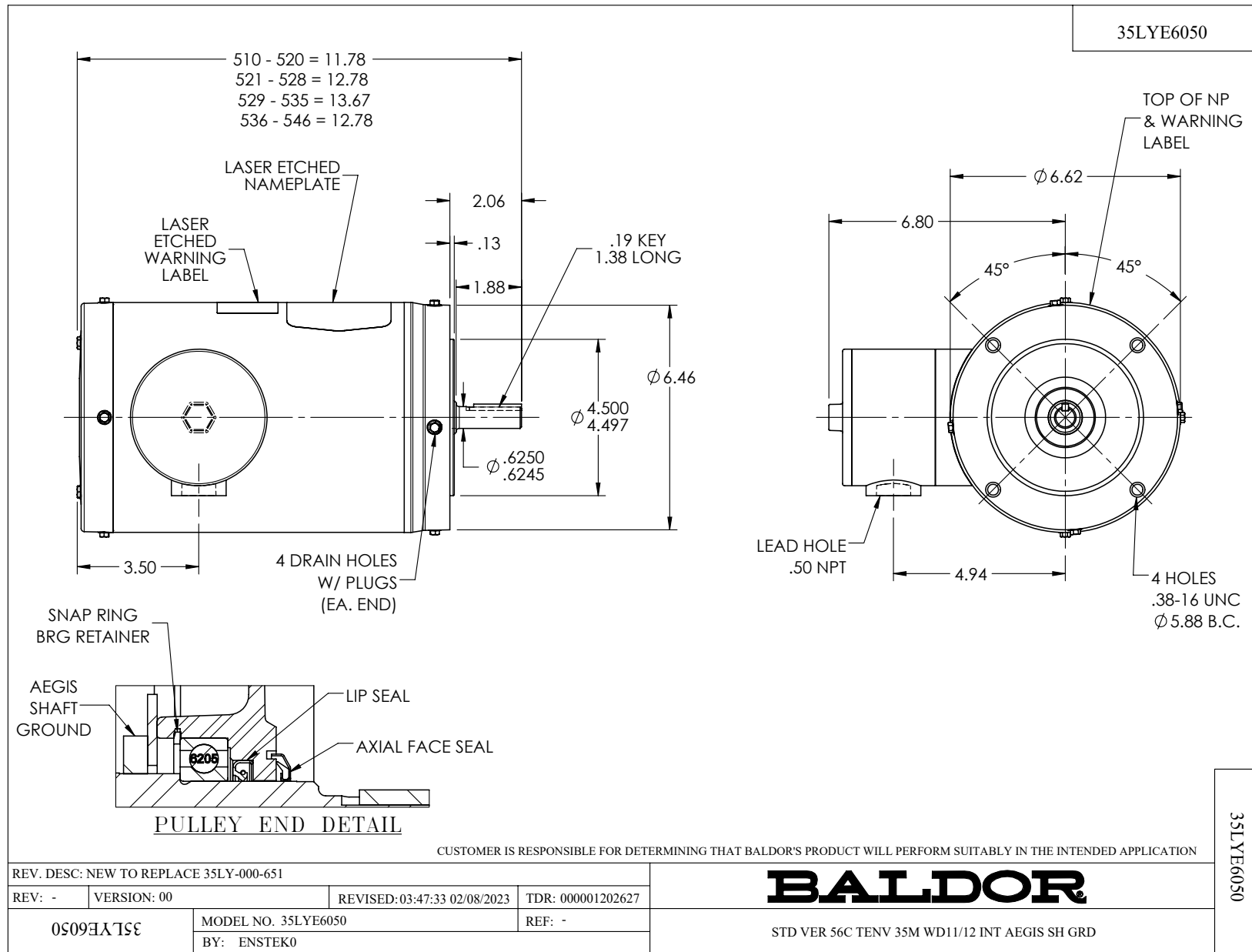
0.75 HP 3 PH 60 HZ 1760 RPM 460 V 3522M

Typical performance - not guaranteed values.

TORQUES (LB-FT): PO=11.1 PU=5.62 LR=8.1 LRA=11.1



4/7/2025 ACPERF, record # 39345



CD0005

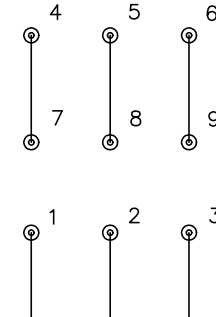


LOW VOLTAGE
(2Y)



LINE

HIGH VOLTAGE
(1Y)



LINE

NOTES:

1. INTERCHANGE ANY TWO LINE LEADS TO REVERSE ROTATION.
2. OPTIONAL THERMOSTATS ARE PROVIDED WHEN SPECIFIED.
3. ACTUAL NUMBER OF INTERNAL PARALLEL CIRCUITS MAY BE A MULTIPLE OF THOSE SHOWN ABOVE.
4. LEAD COLORS ARE OPTIONAL. LEADS MUST ALWAYS BE NUMBERED AS SHOWN.

CD0005

REV. DESC: REVISE TO SHOW OPTIONAL COLORS			
REV. LTR: E	BY: JLP	REVISED: 01/19/99 10:15	TDR: 0171435
S00000		FILE: AAA00005140	MDL: -
		MTL: -	

BALDOR ELECTRIC Co.

3PH, DV, 9 LEADS