

**BALDOR • RELIANCE**

---

# Customer information packet

## VFSWDM3714T-5E

10HP, 1770RPM, 3PH, 60HZ, 215TC, 3756M, TEFC, F

Class - None

Division - Not Applicable

Copyright © All product information within this document is subject to ABB Motors and Mechanical Inc. copyright © protection, unless otherwise noted.

4/7/2025 12:36:24 PM

## Specifications

Enclosure	TEFC
Frame	215TC
Frame Material	Stainless Steel
Frequency	60.00 Hz
Haz Area Class and Group	None
Haz Area Division	Not Applicable
Motor Letter Type	Three Phase
Output @ Frequency	10.000 HP @ 60 HZ
Phase	3
Synchronous Speed @ Frequency	1800 RPM @ 60 HZ
Voltage @ Frequency	575.0 V @ 60 HZ
Agency Approvals	UR CSA
Ambient Temperature	40 °C
Auxillary Box	No Auxillary Box
Auxillary Box Lead Termination	None
Base Indicator	No Mounting
Bearing Grease Type	Polyrex EM (-20F +300F)
Blower	None
Current @ Voltage	10.100 A @ 575.0 V
Design Code	B
Drip Cover	No Drip Cover
Duty Rating	CONT
Efficiency @ 100% Load	92.4 %
Electrically Isolated Bearing	Not Electrically Isolated
Feedback Device	NO FEEDBACK
Front Shaft Indicator	None
Heater Indicator	No Heater
High Voltage Full Load Amps	10.1 a
Insulation Class	H
Inverter Code	Inverter Duty
KVA Code	K

## Part detail

Revision	H
Type	AC
Mech. spec.	37Q227
Base	
Status	PRD/A
Elec. spec.	37WGS360
Layout	37LYQ227
Eff. date	09-22-2023
CD Diagram	CD0006
Poles	04
Leads	3#14
Proprietary	False
Created date	01-22-2019

<b>Lifting Lugs</b>	<b>Standard Lifting Lugs</b>
<b>Locked Bearing Indicator</b>	Locked Bearing
<b>Max Speed</b>	4500 rpm
<b>Motor Lead Quantity/Wire Size</b>	3 @ 14 AWG
<b>Motor Lead Termination</b>	Flying Leads
<b>Motor Standards</b>	NEMA
<b>Motor Type</b>	3756M
<b>Mounting Arrangement</b>	F1
<b>Number of Poles</b>	4
<b>Overall Length</b>	22.12 IN
<b>Power Factor</b>	81
<b>Product Family</b>	WD All SD Non-Encapsulated
<b>Pulley End Bearing Type</b>	Sealed Bearing
<b>Pulley Face Code</b>	C-Face
<b>Pulley Shaft Indicator</b>	Standard
<b>Rodent Screen</b>	None
<b>RoHS Status</b>	ROHS COMPLIANT
<b>Service Factor</b>	1.00
<b>Shaft Diameter</b>	1.375 IN
<b>Shaft Ground Indicator</b>	No Shaft Grounding
<b>Shaft Rotation</b>	Reversible
<b>Shaft Slinger Indicator</b>	No Slinger
<b>Speed</b>	1770 rpm
<b>Speed Code</b>	Single Speed
<b>Starting Method</b>	Direct on line
<b>Thermal Device - Bearing</b>	None
<b>Thermal Device - Winding</b>	None
<b>Vibration Sensor Indicator</b>	No Vibration Sensor
<b>Winding Thermal 1</b>	None
<b>Winding Thermal 2</b>	None



**AC Induction Motor Performance Data**

Record # 24424

Typical performance - not guaranteed values

<b>Winding:</b> 37WGS360-R001		<b>Type:</b> 3756M		<b>Enclosure:</b> TEFC	
<b>Nameplate Data</b>			<b>575 V, 60 Hz: Single Voltage Motor</b>		
<b>Rated Output (HP)</b>	10	<b>Full Load Torque</b>	29.9 LB-FT		
<b>Volts</b>	575	<b>Start Configuration</b>	direct on line		
<b>Full Load Amps</b>	10.1	<b>Breakdown Torque</b>	104 LB-FT		
<b>R.P.M.</b>	1770	<b>Pull-up Torque</b>	54.9 LB-FT		
<b>Hz</b>	60	<b>Locked-rotor Torque</b>	75.9 LB-FT		
<b>NEMA Design Code</b>	B	<b>Starting Current</b>	86.1 A		
<b>Service Factor (S.F.)</b>	1	<b>No-load Current</b>	4.49 A		
<b>NEMA Nom. Eff.</b>	92.4	<b>Line-line Res. @ 25°C</b>	1.25 Ω		
<b>Rating - Duty</b>	40C AMB-CONT	<b>Temp. Rise @ Rated Load</b>	77°C		
		<b>Locked-rotor Power Factor</b>	32		
		<b>Rotor inertia</b>	1.38 LB-FT <sup>2</sup>		

**Load Characteristics 575 V, 60 Hz, 10 HP**

<b>% of Rated Load</b>	<b>25</b>	<b>50</b>	<b>75</b>	<b>100</b>	<b>125</b>	<b>150</b>
<b>Power Factor</b>	42	64	75	81	83	84
<b>Efficiency</b>	87.8	92.2	92.9	92.8	92.1	91.6
<b>Speed</b>	1793	1786	1778	1770	1763	1753
<b>Line amperes</b>	5.07	6.34	8.08	10.1	12.3	14.7

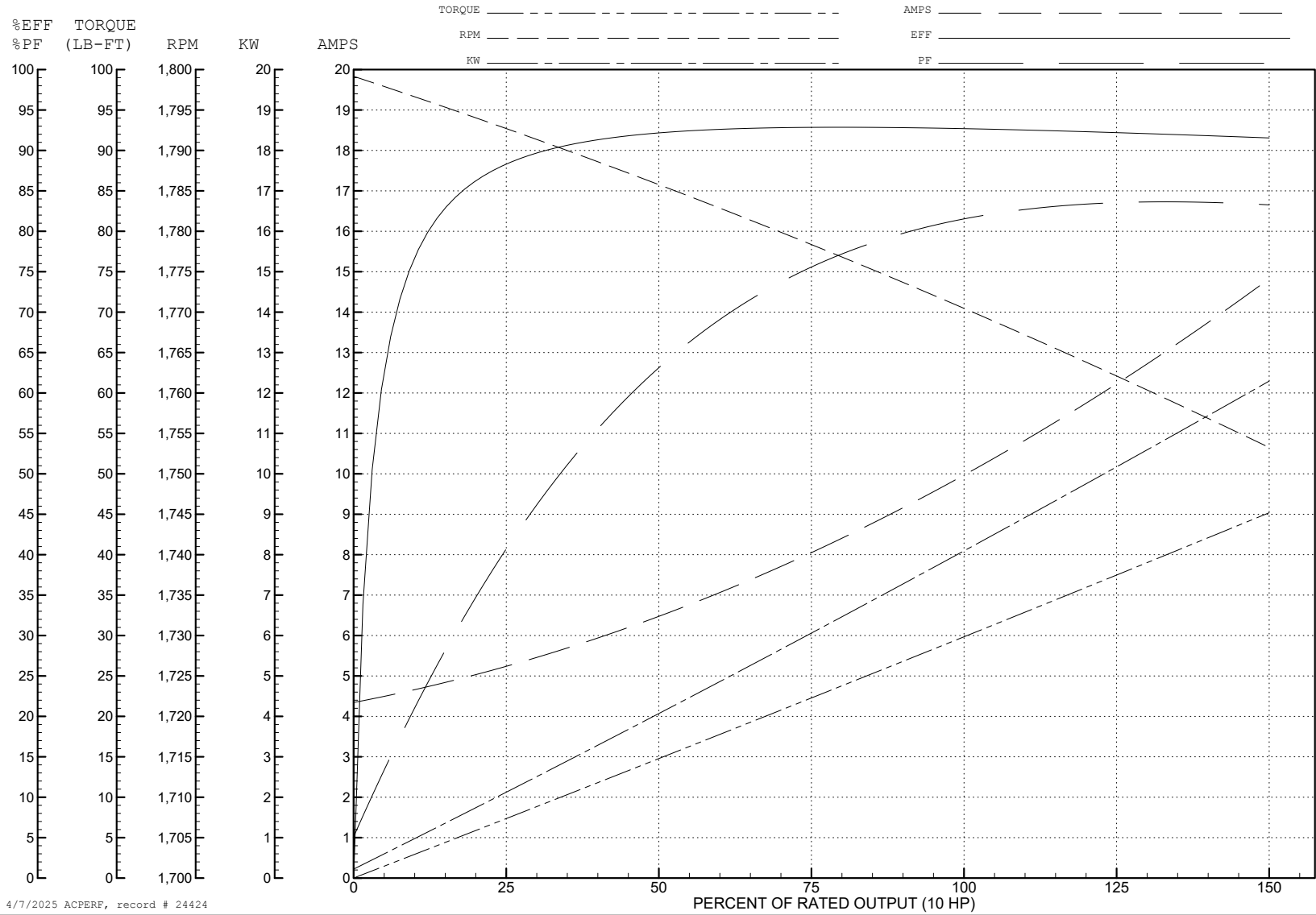
ABB Motors and Mechanical Inc.

WINDING # 37WGS360

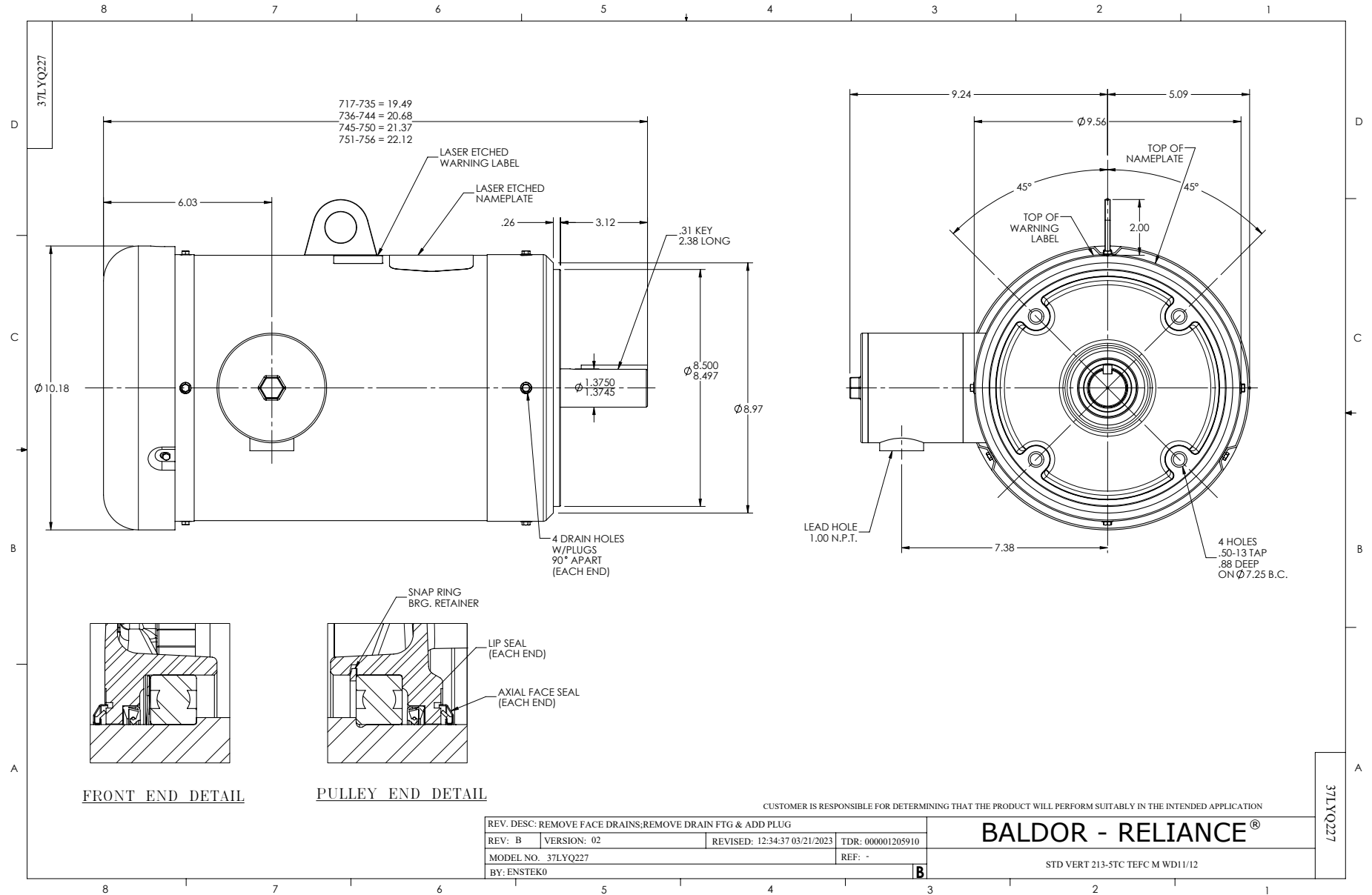
Typical performance - not guaranteed values.

10 HP 3 PH 60 HZ 1770 RPM 575 V 3756M

TORQUES (LB-FT): PO=104 PU=54.9 LR=75.9 LRA=86.1



4/7/2025 ACPERF, record # 24424



CD0006



NOTES:

1. THREE LEAD MOTOR MAY BE EITHER WYE CONNECTED OR DELTA CONNECTED.
2. INTERCHANGE ANY TWO LINE LEADS TO REVERSE ROTATION.
3. OPTIONAL THERMOSTATS ARE PROVIDED WHEN SPECIFIED.
4. ACTUAL NUMBER OF INTERNAL PARALLEL CIRCUITS MAY VARY.
5. LEAD COLORS ARE OPTIONAL. LEADS MUST BE NUMBERED AS SHOWN.

CD0006

REV. DESC: ADD CLASS CONN00000007		
REV. LTR: E	VERSION: 01	TDR: 000001099922
FILE: \AAA\00005\141	REVISED: 10:24:49 02/19/2019	BY: ENBRIRO
MTL: -	© □	

**BALDOR - RELIANCE®**

3PH, SV, 3 LEADS, WYE OR DELTA CONNECTED

SH 1 of 1