

**BALDOR • RELIANCE**

---

# Customer information packet

## VFSWDNM3558-E-G

2HP, 1760RPM, 3PH, 60HZ, 56C, 3546M, TENV, F1, N

Class - None

Division - Not Applicable

Copyright © All product information within this document is subject to ABB Motors and Mechanical Inc. copyright © protection, unless otherwise noted.

4/7/2025 12:37:01 PM

## Specifications

Enclosure	TENV
Frame	56C
Frame Material	Stainless Steel
Frequency	60.00 Hz
Haz Area Class and Group	None
Haz Area Division	Not Applicable
Motor Letter Type	Three Phase
Output @ Frequency	2.000 HP @ 60 HZ
Phase	3
Synchronous Speed @ Frequency	1800 RPM @ 60 HZ
Voltage @ Frequency	460.0 V @ 60 HZ 230.0 V @ 60 HZ
Agency Approvals	CURUSEEV NEMA PREMIUM WEEE
Ambient Temperature	40 °C
Auxillary Box	No Auxillary Box
Auxillary Box Lead Termination	None
Base Indicator	No Mounting
Bearing Grease Type	Polyrex EM (-20F +300F)
Blower	None
Current @ Voltage	5.300 A @ 230.0 V 5.600 A @ 208.0 V 2.650 A @ 460.0 V
Design Code	B
Drip Cover	No Drip Cover
Duty Rating	CONT
Efficiency @ 100% Load	86.5 %
Electrically Isolated Bearing	Not Electrically Isolated
Feedback Device	NO FEEDBACK
Front Shaft Indicator	None
Heater Indicator	No Heater

## Part detail

Revision	A
Type	AC
Mech. spec.	35E6050
Base	
Status	PRD/A
Elec. spec.	35WGZ811
Layout	35LYE6050
Eff. date	10-01-2024
CD Diagram	CD0005
Poles	04
Leads	9#18 Y
Proprietary	False
Created date	02-23-2023

High Voltage Full Load Amps	2.7 a
Insulation Class	H
Inverter Code	Inverter Duty
KVA Code	L
Lifting Lugs	No Lifting Lugs
Locked Bearing Indicator	Locked Bearing
Motor Finish	UNPAINTED
Motor Lead Quantity/Wire Size	9 @ 18 AWG
Motor Lead Termination	Flying Leads
Motor Standards	NEMA
Motor Type	3546M
Mounting Arrangement	F1
Number of Poles	4
Overall Length	12.78 IN
Power Factor	80
Product Family	WD All SS Encapsulated
Pulley End Bearing Type	Sealed Bearing
Pulley Face Code	C-Face
Pulley Shaft Indicator	Standard
Rodent Screen	None
RoHS Status	ROHS COMPLIANT
Service Factor	1.15
Shaft Diameter	0.625 IN
Shaft Ground Indicator	Shaft Grounding
Shaft Rotation	Reversible
Shaft Slinger Indicator	No Slinger
Speed	1760 rpm
Speed Code	Single Speed
Starting Method	Direct on line
Thermal Device - Bearing	None
Thermal Device - Winding	None
Vibration Sensor Indicator	No Vibration Sensor
Winding Thermal 1	None
Winding Thermal 2	None



**AC Induction Motor Performance Data**

Record # 51199

Typical performance - not guaranteed values

<b>Winding:</b> 35WGL289-R001		<b>Type:</b> 3546M		<b>Enclosure:</b> TENV	
<b>Nameplate Data</b>			<b>460 V, 60 Hz: High Voltage Connection</b>		
<b>Rated Output (HP)</b>	2	<b>Full Load Torque</b>	6.02 LB-FT		
<b>Volts</b>	230/460	<b>Start Configuration</b>	direct on line		
<b>Full Load Amps</b>	5.6/2.8	<b>Breakdown Torque</b>	28.1 LB-FT		
<b>R.P.M.</b>	1750	<b>Pull-up Torque</b>	16.2 LB-FT		
<b>Hz</b>	60 <b>Phase</b>	3	<b>Locked-rotor Torque</b>	21 LB-FT	
<b>NEMA Design Code</b>	<b>B KVA Code</b>	M	<b>Starting Current</b>	26.4 A	
<b>Service Factor (S.F.)</b>	1.15	<b>No-load Current</b>	1.45 A		
<b>NEMA Nom. Eff.</b>	88.5 <b>Power Factor</b>	78	<b>Line-line Res. @ 25°C</b>	6.055 Ω	
<b>Rating - Duty</b>	40C AMB-CONT	<b>Temp. Rise @ Rated Load</b>	95°C		
<b>S.F. Amps</b>		<b>Temp. Rise @ S.F. Load</b>	116°C		

**Load Characteristics 460 V, 60 Hz, 2 HP**

<b>% of Rated Load</b>	<b>25</b>	<b>50</b>	<b>75</b>	<b>100</b>	<b>125</b>	<b>150</b>	<b>S.F.</b>
<b>Power Factor</b>	36	57	70	78	82	85	80
<b>Efficiency</b>	83.4	88.6	89.6	89.2	88.2	86.8	88.6
<b>Speed</b>	1788.3	1777.3	1765.6	1753	1739.2	1723.9	1745
<b>Line amperes</b>	1.59	1.86	2.24	2.71	3.24	3.82	3.03

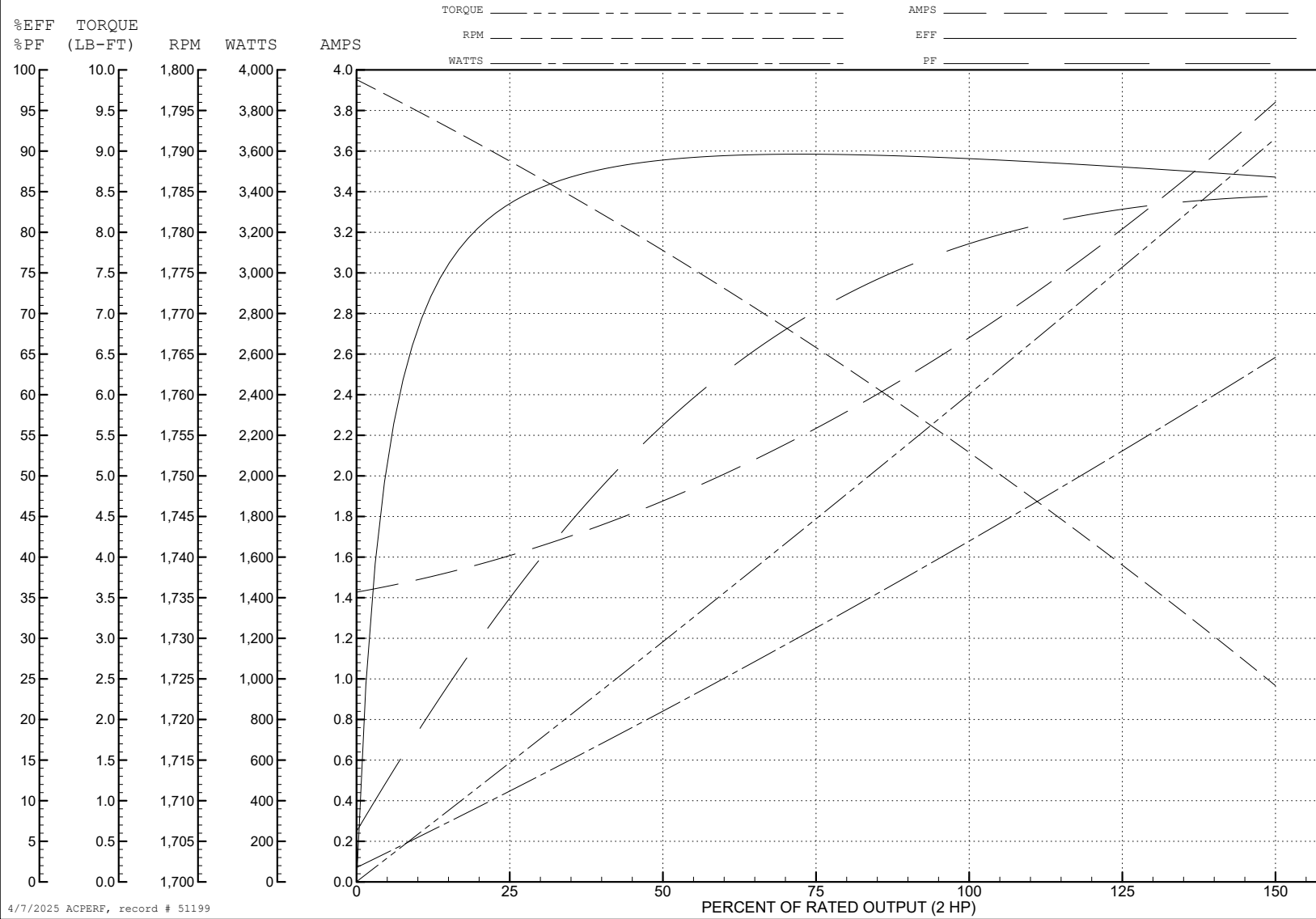
ABB Motors and Mechanical Inc.

WINDING # 35WGL289

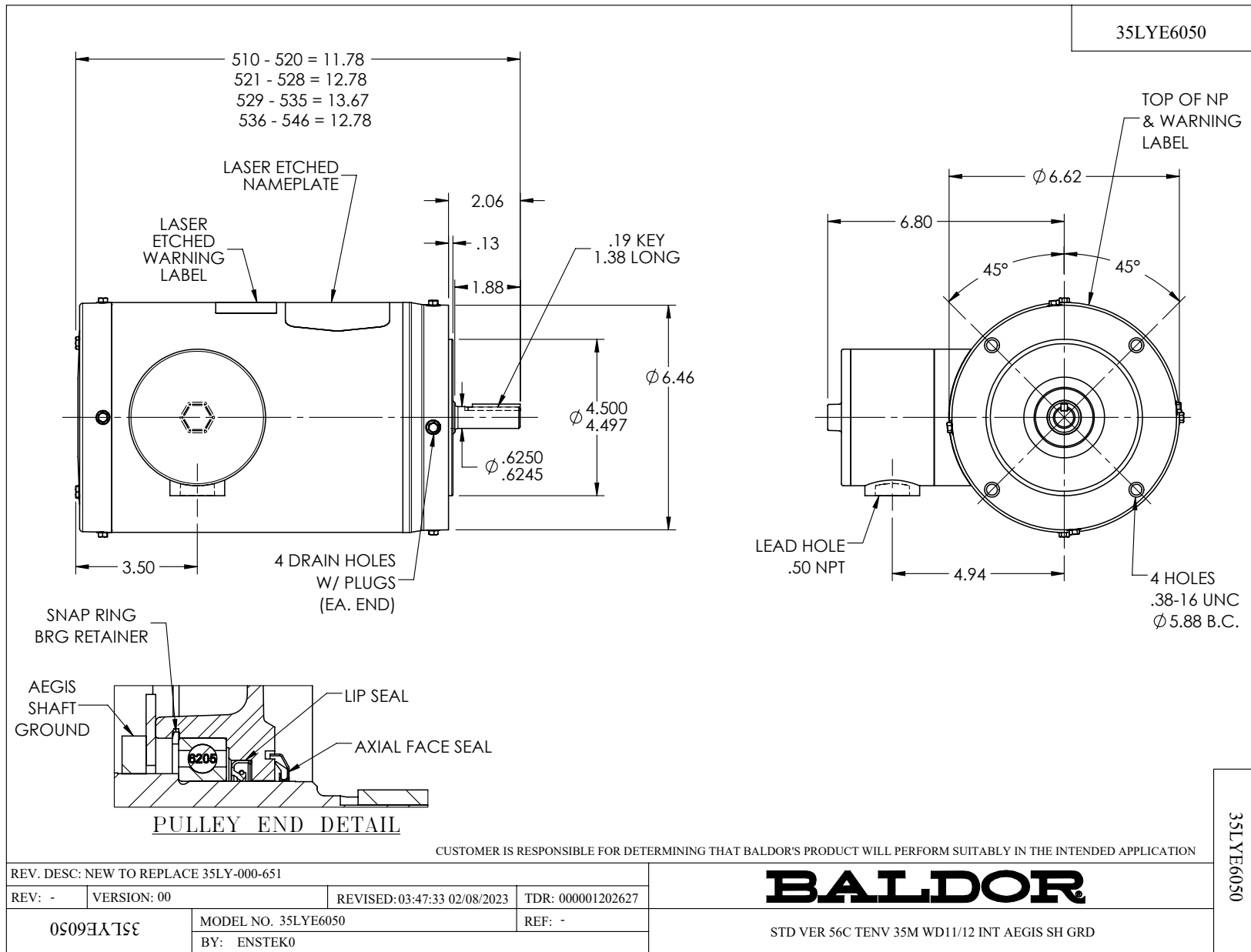
Typical performance - not guaranteed values.

2 HP 3 PH 60 HZ 1750 RPM 460 V 3546M

TORQUES (LB-FT): PO=28.1 PU=16.2 LR=21 LRA=26.4



4/7/2025 ACPERF, record # 51199



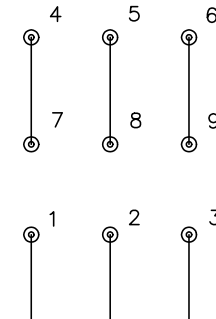
CD0005



LOW VOLTAGE  
(2Y)



HIGH VOLTAGE  
(1Y)



**NOTES:**

1. INTERCHANGE ANY TWO LINE LEADS TO REVERSE ROTATION.
2. OPTIONAL THERMOSTATS ARE PROVIDED WHEN SPECIFIED.
3. ACTUAL NUMBER OF INTERNAL PARALLEL CIRCUITS MAY BE A MULTIPLE OF THOSE SHOWN ABOVE.
4. LEAD COLORS ARE OPTIONAL. LEADS MUST ALWAYS BE NUMBERED AS SHOWN.

REV. DESC: REVISE TO SHOW OPTIONAL COLORS			
REV. LTR: E	BY: JLP	REVISED: 01/19/99 10:15	TDR: 0171435
S00000		FILE: AAA00005140	MDL: -
		MTL: -	

**BALDOR ELECTRIC Co.**

3PH, DV, 9 LEADS

CD0005