



Customer information packet

VFSWDNM3558T-E-G

2HP, 1760RPM, 3PH, 60HZ, 145TC, 3546M, TENV, F1

Class - None

Division - Not Applicable

Specifications

Enclosure	TENV
Frame	145TC
Frame Material	Stainless Steel
Frequency	60.00 Hz
Haz Area Class and Group	None
Haz Area Division	Not Applicable
Motor Letter Type	Three Phase
Output @ Frequency	2.000 HP @ 60 HZ
Phase	3
Synchronous Speed @ Frequency	1800 RPM @ 60 HZ
Voltage @ Frequency	460.0 V @ 60 HZ 230.0 V @ 60 HZ
Agency Approvals	CURUSEEV NEMA PREMIUM WEEE
Ambient Temperature	40 °C
Auxillary Box	No Auxillary Box
Auxillary Box Lead Termination	None
Base Indicator	No Mounting
Bearing Grease Type	Polyrex EM (-20F +300F)
Blower	None
Current @ Voltage	5.300 A @ 230.0 V 5.600 A @ 208.0 V 2.650 A @ 460.0 V
Design Code	B
Drip Cover	No Drip Cover
Duty Rating	CONT
Efficiency @ 100% Load	86.5 %
Electrically Isolated Bearing	Not Electrically Isolated
Feedback Device	NO FEEDBACK
Front Shaft Indicator	None
Heater Indicator	No Heater

Part detail

Revision	A
Type	AC
Mech. spec.	35E6051
Base	
Status	PRD/A
Elec. spec.	35WGZ811
Layout	35LYE6051
Eff. date	10-01-2024
CD Diagram	CD0005
Poles	04
Leads	9#18 Y
Proprietary	False
Created date	02-23-2023

High Voltage Full Load Amps	2.7 a
Insulation Class	H
Inverter Code	Inverter Duty
KVA Code	L
Lifting Lugs	No Lifting Lugs
Locked Bearing Indicator	Locked Bearing
Motor Finish	UNPAINTED
Motor Lead Quantity/Wire Size	9 @ 18 AWG
Motor Lead Termination	Flying Leads
Motor Standards	NEMA
Motor Type	3546M
Mounting Arrangement	F1
Number of Poles	4
Overall Length	15.09 IN
Power Factor	80
Product Family	WD All SS Encapsulated
Pulley End Bearing Type	Sealed Bearing
Pulley Face Code	C-Face
Pulley Shaft Indicator	Standard
Rodent Screen	None
RoHS Status	ROHS COMPLIANT
Service Factor	1.15
Shaft Diameter	0.875 IN
Shaft Ground Indicator	Shaft Grounding
Shaft Rotation	Reversible
Shaft Slinger Indicator	No Slinger
Speed	1760 rpm
Speed Code	Single Speed
Starting Method	Direct on line
Thermal Device - Bearing	None
Thermal Device - Winding	None
Vibration Sensor Indicator	No Vibration Sensor
Winding Thermal 1	None
Winding Thermal 2	None

AC Induction Motor Performance Data

Record # 51199

Typical performance - not guaranteed values

Winding: 35WGL289-R001		Type: 3546M		Enclosure: TENV	
Nameplate Data			460 V, 60 Hz: High Voltage Connection		
Rated Output (HP)	2	Full Load Torque	6.02 LB-FT		
Volts	230/460	Start Configuration	direct on line		
Full Load Amps	5.6/2.8	Breakdown Torque	28.1 LB-FT		
R.P.M.	1750	Pull-up Torque	16.2 LB-FT		
Hz	60 Phase	3	Locked-rotor Torque	21 LB-FT	
NEMA Design Code	B KVA Code	M	Starting Current	26.4 A	
Service Factor (S.F.)		1.15	No-load Current	1.45 A	
NEMA Nom. Eff.	88.5 Power Factor	78	Line-line Res. @ 25°C	6.055 Ω	
Rating - Duty		40C AMB-CONT	Temp. Rise @ Rated Load	95°C	
S.F. Amps			Temp. Rise @ S.F. Load	116°C	

Load Characteristics 460 V, 60 Hz, 2 HP

% of Rated Load	25	50	75	100	125	150	S.F.
Power Factor	36	57	70	78	82	85	80
Efficiency	83.4	88.6	89.6	89.2	88.2	86.8	88.6
Speed	1788.3	1777.3	1765.6	1753	1739.2	1723.9	1745
Line amperes	1.59	1.86	2.24	2.71	3.24	3.82	3.03

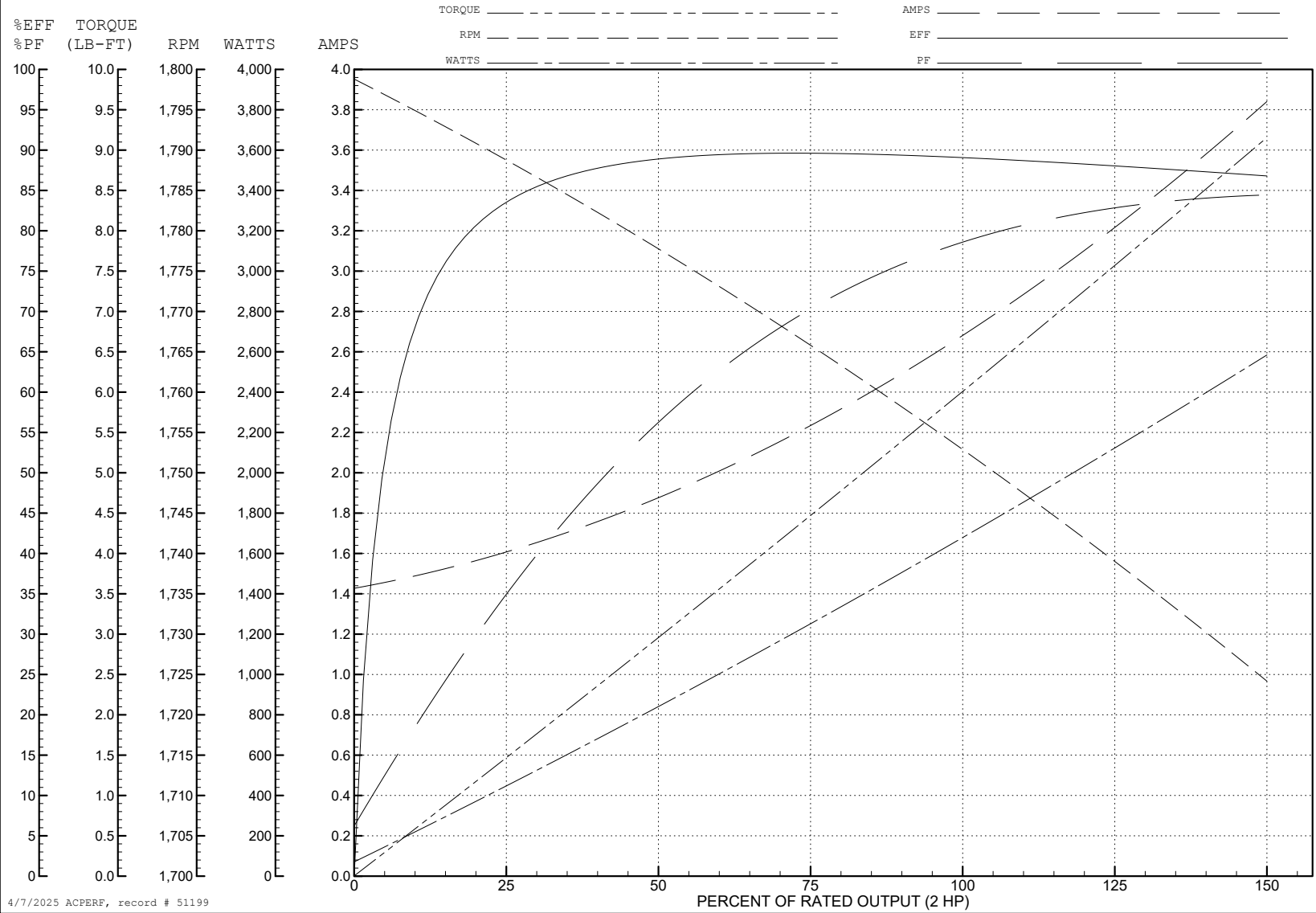
ABB Motors and Mechanical Inc.

WINDING # 35WGL289

Typical performance - not guaranteed values.

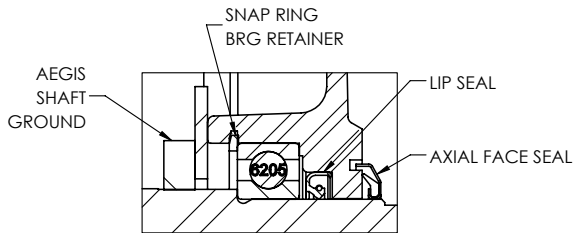
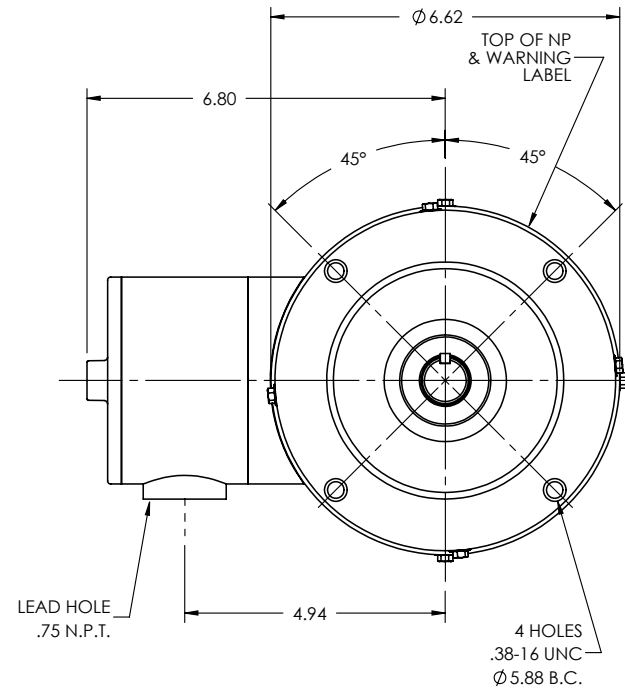
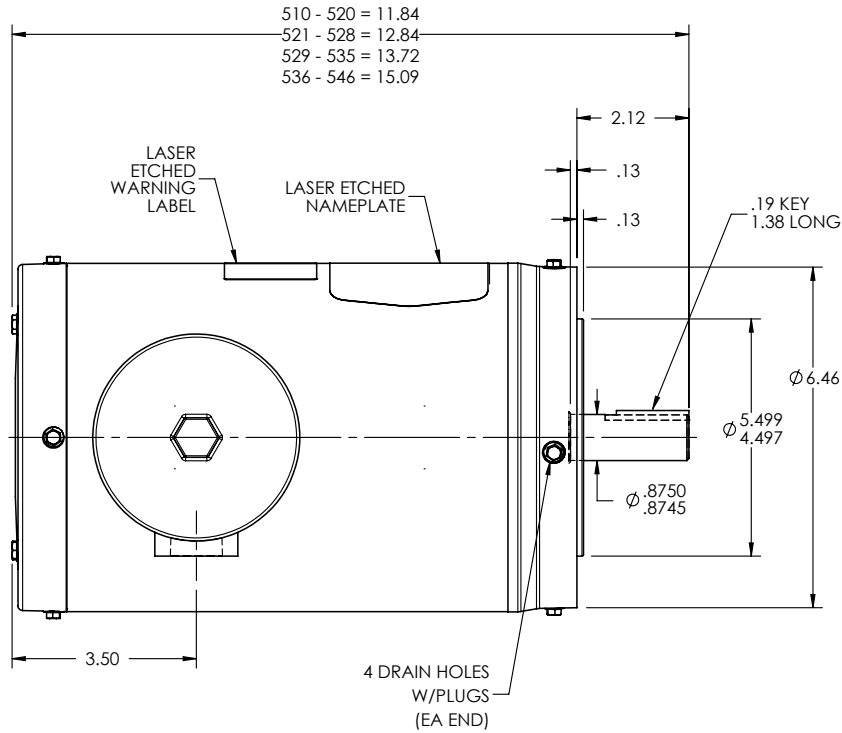
2 HP 3 PH 60 HZ 1750 RPM 460 V 3546M

TORQUES (LB-FT): PO=28.1 PU=16.2 LR=21 LRA=26.4



4/7/2025 ACPERF, record # 51199

35LYE6051



PU END DETAIL

CUSTOMER IS RESPONSIBLE FOR DETERMINING THAT BALDOR'S PRODUCT WILL PERFORM SUITABLY IN THE INTENDED APPLICATION

REV. DESC: NEW TO REPLACE 35LY-000-652			
REV: -	VERSION: 00	REVISED: 04:39:39 02/08/2023	TDR: 000001202627
35LYE6051	MODEL NO. 35LYE6051	REF: -	
	BY: ENSTEK0		

BALDOR

VER 143-5TC TENV 35M WD11/12, INT AEGIS SH GRD

35LYE6051

CD0005



LOW VOLTAGE
(2Y)



LINE

HIGH VOLTAGE
(1Y)



LINE

NOTES:

1. INTERCHANGE ANY TWO LINE LEADS TO REVERSE ROTATION.
2. OPTIONAL THERMOSTATS ARE PROVIDED WHEN SPECIFIED.
3. ACTUAL NUMBER OF INTERNAL PARALLEL CIRCUITS MAY BE A MULTIPLE OF THOSE SHOWN ABOVE.
4. LEAD COLORS ARE OPTIONAL. LEADS MUST ALWAYS BE NUMBERED AS SHOWN.

CD0005

REV. DESC: REVISE TO SHOW OPTIONAL COLORS			
REV. LTR: E	BY: JLP	REVISED: 01/19/99 10:15	TDR: 0171435
S00000		FILE: AAA00005140	MDL: -
		MTL: -	

BALDOR ELECTRIC Co.

3PH, DV, 9 LEADS