

Chains & sprockets	Wear strips	Side guide brackets & accessories	Levelers
Modular belts & sprockets	Chain & belt return systems	Frame & structure supports	Bearings
Curves & tracks	Side guide solutions	Miscellaneous products	Related information

11090d

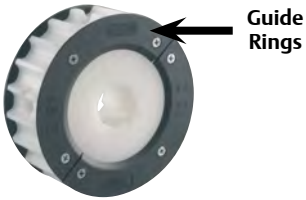
Sprockets

For chains 812 - 815 - 815VG - 881M - 881MO

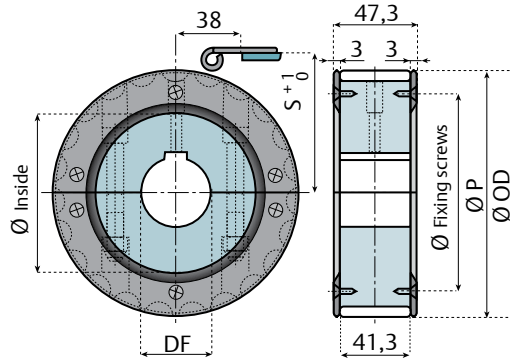
www.SystemPlastSmartGuide.com



Click here for related information.



Guide Rings



Z	Ø OD mm	Ø P mm	S mm
21	129	129,26	67,8
23	142	141,21	73,8
25	154	153,21	79,8

Z	Machined drive sprockets - Split Fixed					Loose guide rings		
	Ø 18*	Ø 25	Ø 30	Ø 35	Ø 40	Black	Ø inside	Ø Fixing screw
	Item description							
21	815-21R18M-DMSF	815-21R25M-DMSF	815-21R30M-DMSF	815-21R35M-DMSF	815-21R40M-DMSF	GRING-129-79-3	79	104
23	815-23R18M-DMSF	815-23R25M-DMSF	815-23R30M-DMSF	815-23R35M-DMSF	815-23R40M-DMSF	GRING-142-92-3	92	116
25	815-25R18M-DMSF	815-25R25M-DMSF	815-25R30M-DMSF	815-25R35M-DMSF	815-25R40M-DMSF	GRING-154-104-3	104	128

Material: polyamide, screws in stainless steel, nuts in zinc plated steel, DIN 6885 key seat.
* Plain Bore (without keyway)

Material: reinforced polyamide, screws in stainless steel.
Supply: 4 segments and 12 screws



See also the chains:

812-815

11020a

11030a

11030b

881M - 881MO

11060a



See also the sprockets and idler wheels:

11040a

11040b

11050a

11050b



Information about this product is only available on our Smart Guide™ website.