

Chains & sprockets	Wear strips	Side guide brackets & accessories	Levelers
Modular belts & sprockets	Chain & belt return systems	Frame & structure supports	Bearings
Curves & tracks	Side guide solutions	Miscellaneous products	Related information

11470a

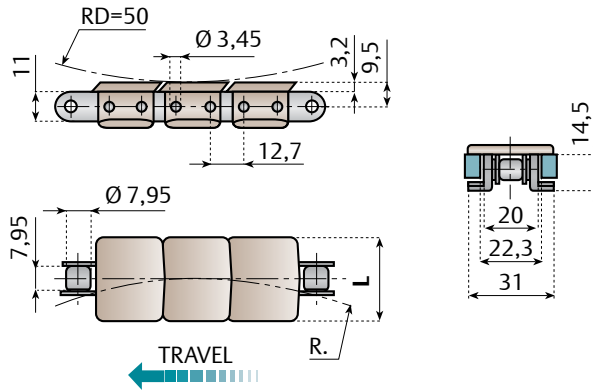
1843

www.SystemPlastSmartGuide.com

Sideflexing overlapping plate top chains with base roller (Pitch 1/2" - 12,7 mm)

Click here for related information.

Nolu®-S curves
are strongly recommended
with these chains!



Advantages:

- Small pitch
- Reduced chordal effect
- Reduced sprocket diameter
- Continuous flat conveying surface.

Note:

ANSI 40 roller chain

Item description	Material		Breaking load N	Width L		R mm	Weight Kg/m
	Roller chain	Top plate		mm	inch.		
LF1843-K125	C45	LF	13000	31,8	1 1/4	254	0,74
LF1843-K200		Brown		50,8	2		0,89
LF1843SS-K125	Austenitic	LF	10000	31,8	1 1/4		0,74
LF1843SS-K200		Brown		50,8	2		0,89

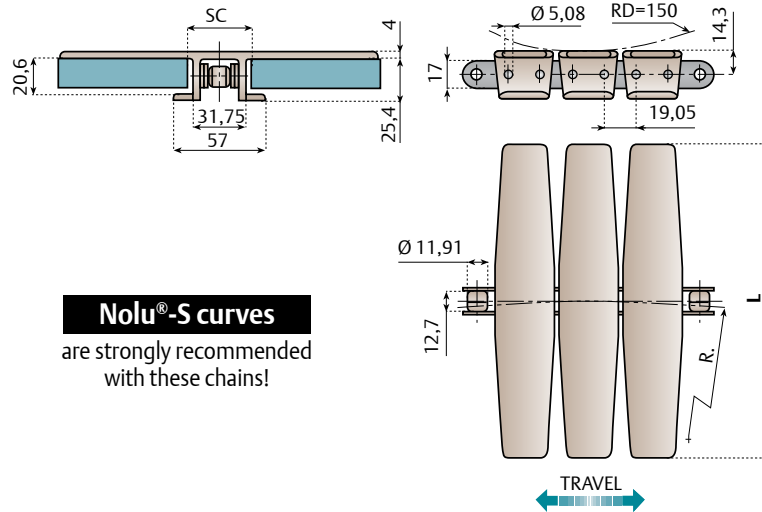
Standard length: 240 pitches (10 Ft - 3,048 m) 120 flights



1873 TAB

Sideflexing plate top chains with base roller (Pitch 3/4" - 19,05 mm)

Click here for related information.



Nolu®-S curves
are strongly recommended
with these chains!

Note:

ANSI 60 roller chain

Item description	Material		Breaking load N	Width L		R min.	SC		Weight Kg/m
	Roller chain	Plate		mm	inch		Straight	Curving	
LF1873-K225	C45	LF Brown	27.000	57,1	2 1/4	380	33,3	35	2,00
LF1873-K325				82,5	3 1/4				2,10
LF1873-K450				114,3	4 1/2				2,23
LF1873-K600				152,4	6	500			2,40
LF1873-K750				190,5	7 1/2				2,60
LF1873-K1000				254,0	10				2,80
LF1873-K1200			304,8	12	610	3,00			
LF1873SS-K225	Austenitic	LF Brown	21.000	57,1	2 1/4	380	33,3	35	2,00
LF1873SS-K325				82,5	3 1/4				2,10
LF1873SS-K450				114,3	4 1/2				2,23
LF1873SS-K600				152,4	6	500			2,40
LF1873SS-K750				190,5	7 1/2				2,60
LF1873SS-K1000				254,0	10				2,80
LF1873SS-K1200			304,8	12	610	3,00			

Standard length: 160 pitches (10 ft. - 3,048 m) 80 flights

Breaking load according to standard ISO 4348 - DIN 8153