

**Style BMQ**

**Style HMQ**



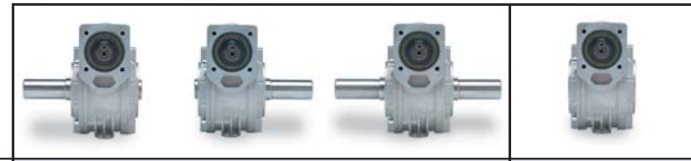
**520 Series • Style BMQ & HMQ • 1.0 S.F.**

Ratio	Input RPM	Output RPM	Input HP	Output HP	Output Torque (lb-in)	NEMA C Input Flange*	Left Hand Catalog No.	Right Hand Catalog No.	Double Extension Catalog No.	Hollow Output Catalog No.
7	1750	250	2.472	2.027	511	56C	W5200034	W5200045	W5200056	W5200078
	1150	164	1.707	1.400	538					
10	1750	175	1.961	1.569	565	56C	W5200035	W5200046	W5200057	W5200079
	1150	115	1.355	1.084	594					
14	1750	125	1.494	1.180	595	56C	W5200036	W5200047	W5200058	W5200080
	1150	82	1.031	0.814	626					
18	1750	97	1.196	0.897	583	56C	W5200037	W5200048	W5200059	W5200081
	1150	64	0.830	0.622	613					
26	1750	67	0.889	0.613	577	56C	W5200038	W5200049	W5200060	W5200082
	1150	44	0.614	0.424	607					
36	1750	49	0.684	0.472	607	56C	W5200039	W5200050	W5200061	W5200083
	1150	32	0.470	0.324	639					
43	1750	41	0.604	0.399	613	56C	W5200040	W5200051	W5200062	W5200084
	1150	27	0.419	0.276	645					
60	1750	29	0.486	0.282	613	56C	W5200041	W5200052	W5200063	W5200085
	1150	19.2	0.335	0.194	645					
68	1750	25.7	0.420	0.239	580	56C	W5200042	W5200053	W5200064	W5200086
	1150	16.9	0.289	0.165	610					
80	1750	21.9	0.368	0.199	569	56C	W5200043	W5200054	W5200065	W5200087
	1150	14.4	0.246	0.133	599					
100	1750	17.5	0.295	0.147	516	56C	W5200044	W5200055	W5200066	W5200088
	1150	11.5	0.207	0.103	543					

\* Contact Factory for metric IEC input flange options available.

**Style B**

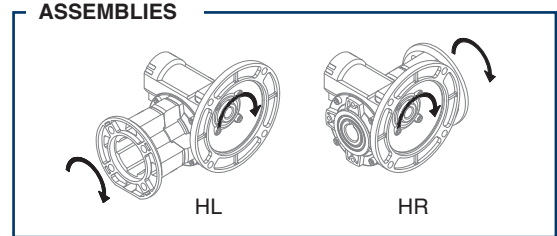
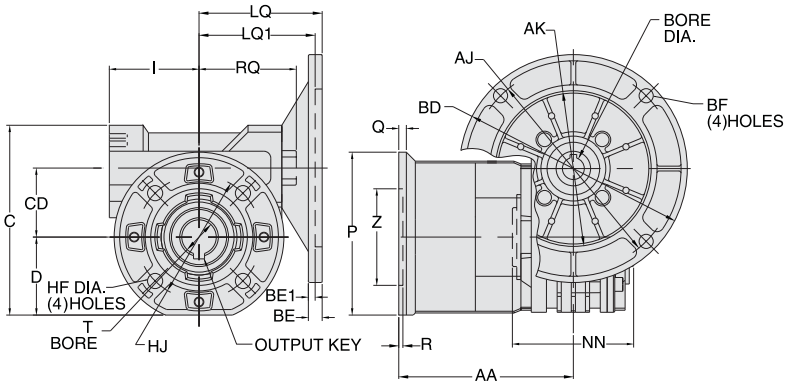
**Style H**



**520 Series • Style B & H • 1.0 S.F.**

Ratio	Input RPM	Output RPM	Input HP	Output HP	Output Torque (lb-in)	Left Hand Catalog No.	Right Hand Catalog No.	Double Extension Catalog No.	Hollow Output Catalog No.
7	1750	250	2.472	2.027	511	W5200001	W5200012	W5200023	W5200067
	1150	164	1.707	1.400	538				
10	1750	175	1.961	1.569	565	W5200002	W5200013	W5200024	W5200068
	1150	115	1.355	1.084	594				
14	1750	125	1.494	1.180	595	W5200003	W5200014	W5200025	W5200069
	1150	82	1.031	0.814	626				
18	1750	97	1.196	0.897	583	W5200004	W5200015	W5200026	W5200070
	1150	64	0.830	0.622	613				
26	1750	67	0.889	0.613	577	W5200005	W5200016	W5200027	W5200071
	1150	44	0.614	0.424	607				
36	1750	49	0.684	0.472	607	W5200006	W5200017	W5200028	W5200072
	1150	32	0.470	0.324	639				
43	1750	41	0.604	0.399	613	W5200007	W5200018	W5200029	W5200073
	1150	27	0.419	0.276	645				
60	1750	29	0.486	0.282	613	W5200008	W5200019	W5200030	W5200074
	1150	19.2	0.335	0.194	645				
68	1750	25.7	0.420	0.239	580	W5200009	W5200020	W5200031	W5200075
	1150	16.9	0.289	0.165	610				
80	1750	21.9	0.368	0.199	569	W5200010	W5200021	W5200032	W5200076
	1150	14.4	0.246	0.133	599				
100	1750	17.5	0.295	0.147	516	W5200011	W5200022	W5200033	W5200077
	1150	11.5	0.207	0.103	543				

## Style FLHMQ



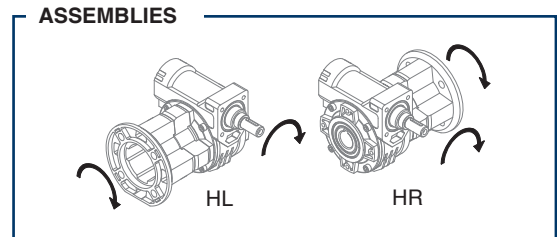
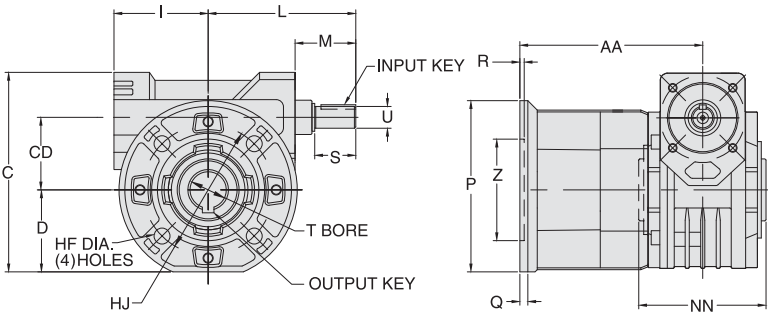
REVERSE ALL ARROWS FOR OPPOSITE INPUT SHAFT ROTATION. CONTACT FACTORY FOR OTHER MOUNTINGS OR ASSEMBLY POSITIONS.

### STYLE FLHMQ DIMENSIONS - Inches (MM)

Series	AA	C	CD	D	HF	HJ	I	LQ* 56/140	LQ1* 180	NN	P	Q	R	RQ	T* +0.0015 -0.0000	Z	OUTPUT KEY*
512	2.19	3.54	1.18	1.54	0.335	3.43	1.81	*	N/A	2.16	4.33	0.24	0.236	2.21	(14)●	2.362	(5)●
518	3.56	4.76	1.77	1.93	0.335	3.43	2.16	3.33	N/A	2.56	4.33	0.35	0.354	2.60	0.750	2.362	3/16 X 1.00
520	4.51	5.33	1.97	2.15	0.413	3.54	2.56	3.51	N/A	3.19	4.84	0.47	0.354	2.83	1.000	2.756	1/4 X 1.62
525	4.57	6.69	2.48	2.76	0.413	5.91	3.11	4.08	N/A	4.72	6.89	0.51	0.276	3.58	1.125	4.528	1/4 X 2.00
534	5.85	9.15	3.35	3.72	0.512	6.93	3.86	4.83	5.35	5.31	8.07	0.63	0.197	4.33	1.500	5.984	3/8 X 2.00

● Dimension is in MM. Key is not provided with metric reducer options as standard.  
Metric bore tolerance is H7.  
\* Metric options are available. Refer to dimensions on opposite page.  
Contact Factory for availability of metric options.

## Style FLH



REVERSE ALL ARROWS FOR OPPOSITE INPUT SHAFT ROTATION. CONTACT FACTORY FOR OTHER MOUNTINGS OR ASSEMBLY POSITIONS.

### STYLE FLH DIMENSIONS\*\* - Inches

Series	AA	C	CD	D	HF	HJ	I	L	M	NN	P	Q	R	S +0.0015 -0.0000	T +0.000 -0.001	U	Z	INPUT KEY	OUTPUT KEY
518	3.56	4.76	1.77	1.93	0.335	3.43	2.16	3.86	1.67	2.56	4.33	0.35	0.354	1.18	0.750	0.625	2.362	3/16 X 1.00	3/16 X 1.00
520	4.51	5.33	1.97	2.15	0.413	3.54	2.56	4.11	1.74	3.19	4.84	0.47	0.354	1.18	1.000	0.625	2.756	3/16 X 1.00	1/4 X 1.62
525	4.57	6.69	2.48	2.76	0.413	5.91	3.11	5.43	2.24	4.72	6.89	0.51	0.276	1.75	1.125	0.750	4.528	3/16 X 1.50	1/4 X 2.00
534	5.85	9.15	3.35	3.72	0.512	6.93	3.86	6.38	2.52	5.31	8.07	0.63	0.197	1.75	1.500	0.875	5.984	3/16 X 1.50	3/8 X 2.00

\*\* Series 512 is available in this style. Contact Factory for details

BRAVO®  
Single Reduction Reducers

BRAVO® Worm - Worm  
Double Reduction

BRAVO® Helical - Worm  
Double Reduction

BRAVO® Accessory Kits

Quadro - Single Reduction

High Efficiency Helical - In-line