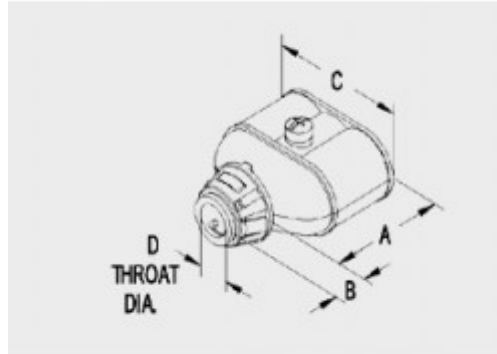


## 3/8" Insulated Duplex Whipper-Snap® Snap-In Connector

Recommended cable types 14/2 to 10/2 .38-.59 Steel or Aluminum AC/MC/MCIA and 3/8 Steel or Aluminum FMC. Simply snap cables into connector and snap assembly into electrical box. No tools required! Integral internal spring steel locking tabs fasten cable or conduit. External spring steel locking tabs secures connector to electrical box. Suitable for maintaining grounding continuity when installed in accordance with the NEC.

[Download Photo](#)[Download Drawing](#)

### Product details

<b>Catalog Number:</b>	3838ASP
<b>UPC Number:</b>	78174708690
<b>Primary Materials:</b>	Zinc Die Cast
<b>Finish:</b>	Ball Burnished, Mirror Smooth
<b>Trade Size:</b>	3/8"
<b>Unit Quantity:</b>	20
<b>Standard Package Quantity:</b>	200

### Dimensions

<b>Trade Size:</b>	3/8"
<b>Dimensions A:</b>	1-5/8
<b>Dimensions B:</b>	1/2
<b>Dimensions C:</b>	1-13/16
<b>Dimensions D:</b>	0.58

### Certifications & Codes

**Federal Specification Number:** A-A-50552**UL File Number:** E20534**UNSPSC:** 39121438**Nema Standard:** FB1**UL Standard:** UL-514B**Patent Number:** 7075007