

Product Dimensions

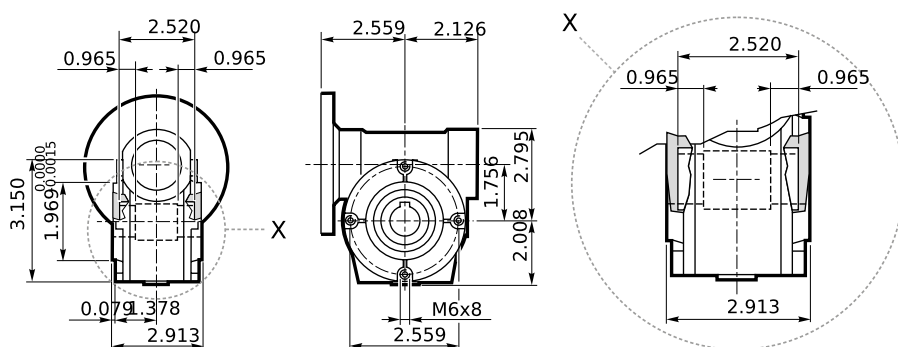
Created on: 31/03/2025

Designation

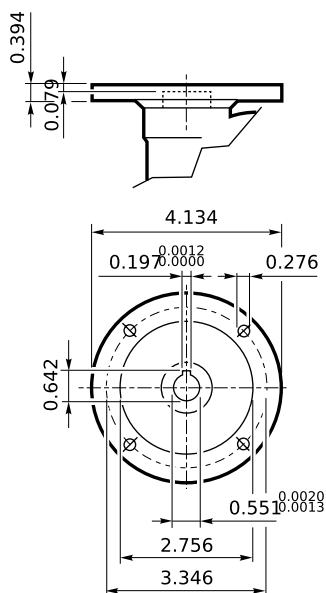
VF 44 P1 20 P71 B14 B3

Dimensions [in], Italic [mm]

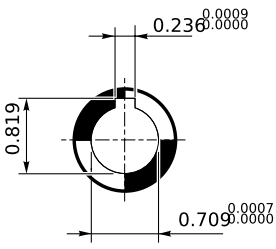
Gearbox Dimensions



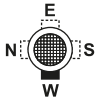
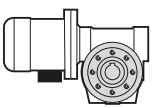
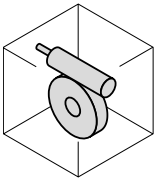
Input Dimensions



Output Shaft



Mounting Position



Customer's Shaft

