

Image may differ from product. See specification for details.

## F4BC 104-TPSS

**Square flanged ball bearing unit with set screw locking extended inner ring, composite housing, SKF Food Line**

These square flanged ball bearing units are designed especially for the food and beverage industries. They are chemical resistant, lightweight and strong. The unit consists of an insert bearing, with an extended inner ring and set screw locking, and is suitable for applications where the direction of rotation is constant or alternating. The bearing is mounted in a composite housing, which can be bolted to a machine wall or frame. Ball bearing units can accommodate moderate initial misalignment, but normally do not permit axial displacement.

- Chemical resistant
- Lubricated for life with a non-toxic food grade grease
- Lightweight
- Strong

## Overview

### Dimensions

Attachment bolt diameter	12.7 mm
Shaft diameter	31.75 mm
Housing overall width	36 mm
Centre distance between bolt holes	92 mm
Bearing width, total	42.9 mm

### Performance

Basic dynamic load rating	21.6 kN
Basic static load rating	15.3 kN
Limiting speed	3 200 r/min
Note	Limiting speed with shaft tolerance h6

### Properties

Housing type	Flanged
Flanged housing type	Square
Number of bolt holes for fasteners	4
Fastening bolt hole type	Plain
Retaining feature, inner ring	Set screws
Bore type	Cylindrical
Rubber seating ring	Without
Material, housing	Composite for the SKF Food Line
Material, bearing	Stainless steel
Coating	Without
Sealing, bearing	Seal and flinger on both sides
Sealing type	Contact, gutter
Sealing, unit	Optional end cover
Lubricant	Grease
Relubrication hole	Without
Grease fitting	Without

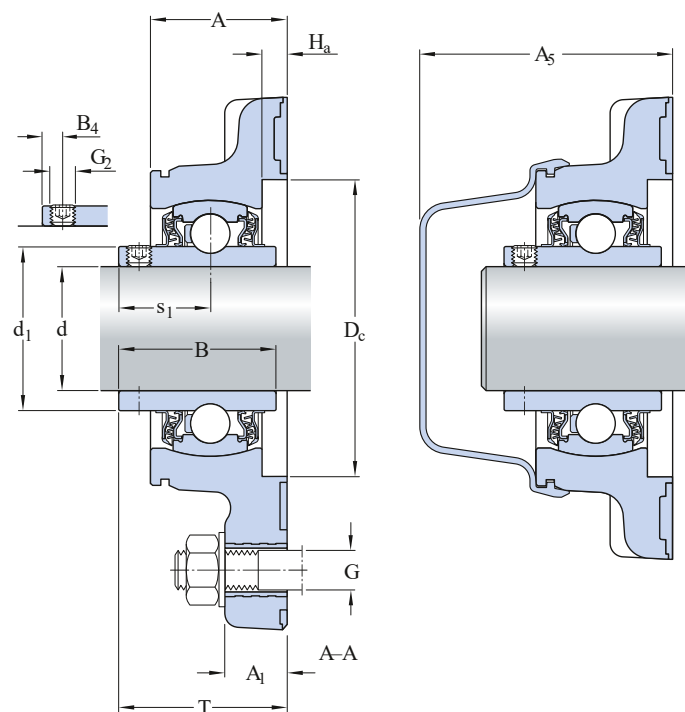
### Logistics

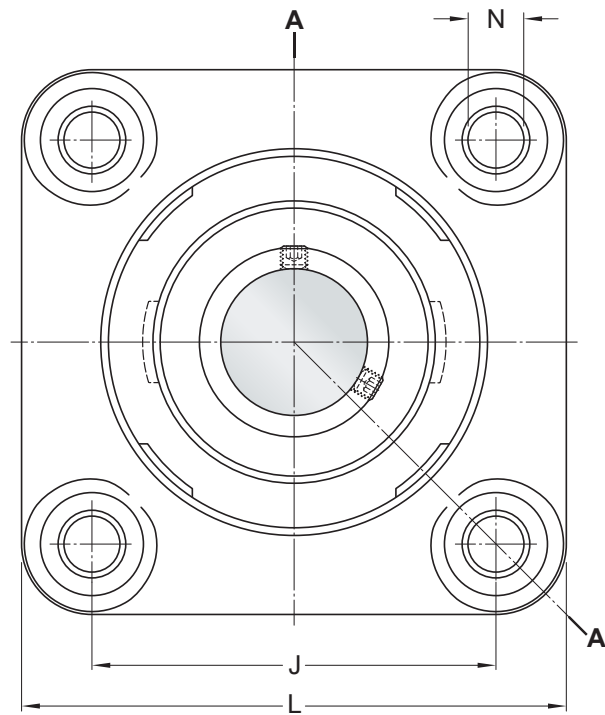
Product net weight	0.755 kg
eClass code	23-05-08-02
UNSPSC code	31171536



## Technical specification

Compliance with standard	Not standardized
Purpose specific	For food and beverage applications
Material, housing	Composite for the SKF Food Line
Sealing, bearing	Seal and flinger on both sides
Sealing type, bearing	Contact, gutter
Sealing, unit	Optional end cover
Coating	Without





## Dimensions

d	31.75 mm	Bore diameter
d <sub>1</sub>	≈ 46.1 mm	Outer diameter of inner ring
A	36 mm	Width of housing
A <sub>1</sub>	17 mm	Flange width
A <sub>5</sub>	64.6 mm	Standout of end cover
B	42.9 mm	Width of inner ring
B <sub>1</sub>	42.9 mm	Overall bearing width
B <sub>4</sub>	6 mm	Distance from locking device side face to thread centre
Db	88 mm	Top external diameter
D <sub>c</sub>	82 mm	Diameter of housing centering recess
H <sub>a</sub>	6 mm	Depth of housing centering recess
J	92 mm	Centre distance between bolt holes
L	125 mm	Overall length
N	14.2 mm	Diameter of attachment bolt hole
s <sub>1</sub>	25.4 mm	Distance from locking device side face to raceway centre
T	44.9 mm	Overall width

## Calculation data

Basic dynamic load rating	C	21.6 kN
Basic static load rating	C0	15.3 kN
Fatigue load limit	P <sub>u</sub>	0.655 kN
Limiting speed		3 200 r/min
		Limiting speed with shaft tolerance h6

## Mounting information

Set screw	G2	5/16-24 UNF
Hexagonal key size for set screw		3.969 mm
Recommended tightening torque for set screw		6.5 N·m
Recommended diameter for attachment bolts, mm	G	12 mm
Recommended diameter for attachment bolts, inch	G	0.5 in

## Tolerances and clearances

The values depend on the included bearing:

- Bore diameter tolerance → [table 1](#)
- Radial internal clearance → [table 2](#)
- Recommended fit → [table 3](#)
- Shaft tolerance → [table 4](#)

# Compatible products

## Component

---

Insert bearing with set screw locking and extended inner ring

[YAR 207-104-2LPW/SS](#)

## Recommended product

---

End cover for bearing units

[ECB 507](#)

## More Information

### Product details

[Flanged units to ISO standards](#)

[Flanged units to North American standards](#)

[Flanged units to Japanese Industrial Standards \(JIS\)](#)

[Flanged units, not standardized \(SKF Food Line\)](#)

[Permissible misalignment](#)

[Locating/non-locating support](#)

[Loads](#)

[Temperature limits](#)

[Permissible speed](#)

[Lubrication](#)

[Mounting and dismounting](#)

[Ordering information](#)

[Designation system](#)

### Engineering information

[Principles of ball bearing units selection and application - Download catalogue \(4.9 MB\)](#)

[Principles of selecting mounted bearing solutions](#)

[Bearing failure and how to prevent it](#)

### Tools

[SKF Product select](#)

[Bearing Frequency Calculator](#)

# Terms of use

By accessing and using this website / app owned and published by AB SKF (publ.) (556007-3495 · Gothenburg) ("SKF"), you agree to the following terms and conditions:

## **Warranty Disclaimer and Limitation of Liability**

Although every care has been taken to assure the accuracy of the information on this website / app, SKF provides this information "AS IS" and DISCLAIMS ALL WARRANTIES, EXPRESS OR IMPLIED, INCLUDING, BUT NOT LIMITED TO, IMPLIED WARRANTIES OF MERCHANTABILITY AND FITNESS FOR A PARTICULAR PURPOSE. You acknowledge that your use of this website / app is at your sole risk, that you assume full responsibility for all costs associated with use of this website / app, and that SKF shall not be liable for any direct, incidental, consequential, or indirect damages of any kind arising out of your access to, or use of the information or software made available on this website / app.

Any warranties and representations in this website / app for SKF products or services that you purchase or use will be subject to the agreed upon terms and conditions in the contract for such product or service.

Further, for non-SKF websites / apps that are referenced in our website / app or where a hyperlink appears, SKF makes no warranties concerning the accuracy or reliability of the information in these websites / apps and assumes no responsibility for material created or published by third parties contained therein. In addition, SKF does not warrant that this website / app or these other linked websites / apps are free from viruses or other harmful elements.

## **Third Party Services**

When viewing YouTube content via the SKF website(s) (i.e. using [YouTube API Services](#)), you agree to be bound by the [YouTube Terms of Service](#).

## **Copyright**

Copyright in this website / app copyright of the information and software made available on this website / app rest with SKF or its licensors. All rights are reserved. All licensed material will reference the licensor that has granted SKF the right to use the material. The information and software made available on this website / app may not be reproduced, duplicated, copied, transferred, distributed, stored, modified, downloaded or otherwise exploited for any commercial use without the prior written approval of SKF. However, it may be reproduced, stored and downloaded for use by individuals without prior written approval of SKF. Under no circumstances may this information or software be supplied to third parties.

This website /app includes certain images used under license from Shutterstock, Inc.

## **Trademarks and Patents**

All trademarks, brand names, and corporate logos displayed on the website / app are the property of SKF or its licensors, and may not be used in any way without prior written approval by SKF. All licensed trademarks published on this website / app reference the licensor that has granted SKF the right to use the trademark. Access to this website / app does not grant to the user any license under any patents owned by or licensed to SKF.

## **Changes**

SKF reserves the right to make changes or additions to this website / app at any time.