

## Product Dimensions

Created by: naren@eximeng.com

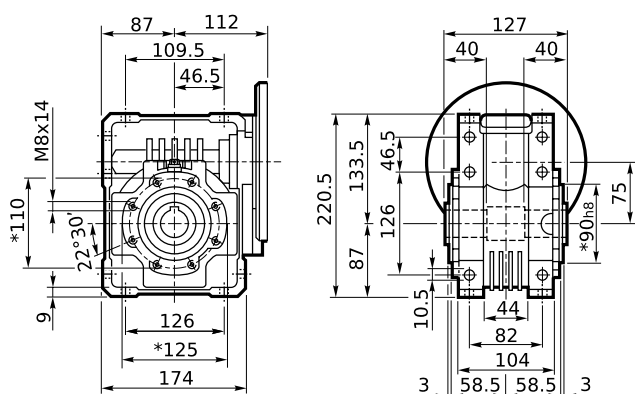
Created on: 31/10/2025

### Designation

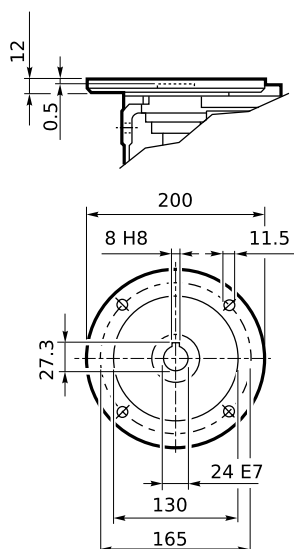
W 75 U D30 15 P90 B5 B8

Dimensions [mm], Italic [In]

### Gearbox Dimensions

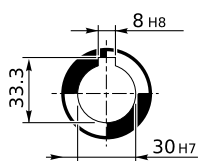


### Input Dimensions



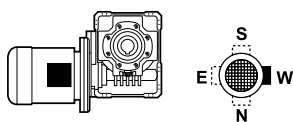
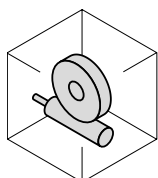
## Output Shaft

---



## Mounting Position

---



## Customer's Shaft

---

