

Product Dimensions

Created by: naren@eximeng.com

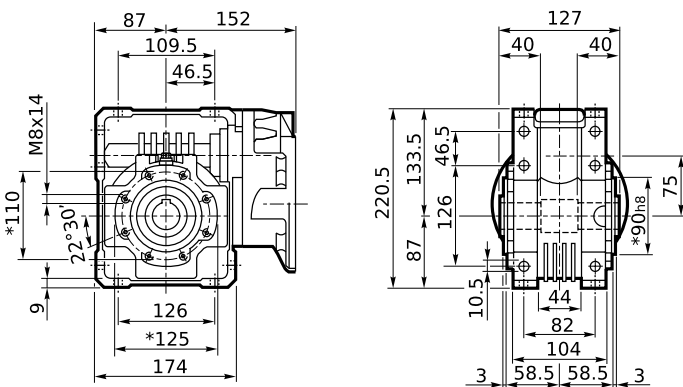
Created on: 14/01/2026

Designation

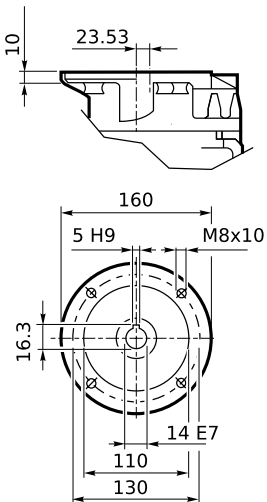
W R 75 U D28 240 P71 B5 B8

Dimensions [mm], Italic [In]

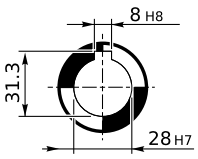
Gearbox Dimensions



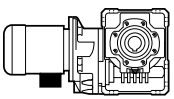
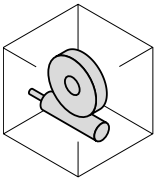
Input Dimensions



Output Shaft



Mounting Position



Customer's Shaft

