

## Product Dimensions

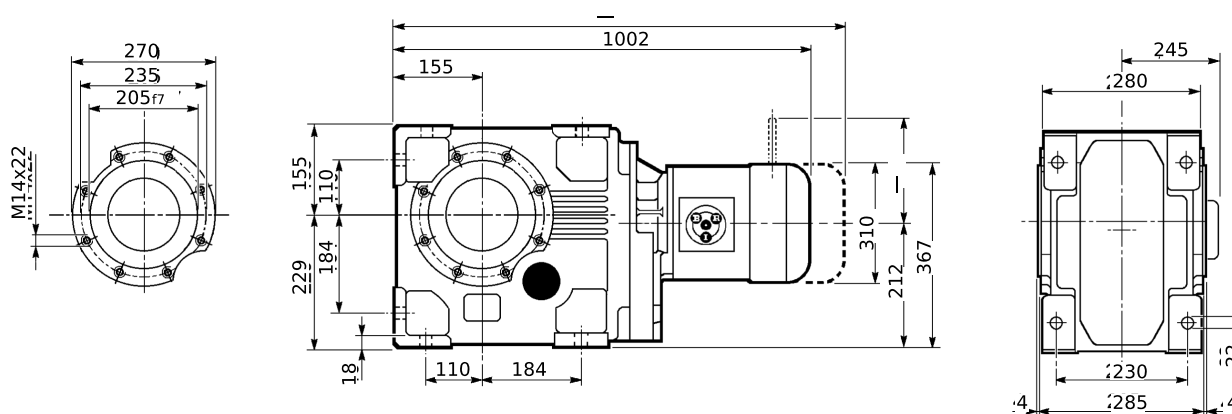
Created on: 19/01/2026

### Designation

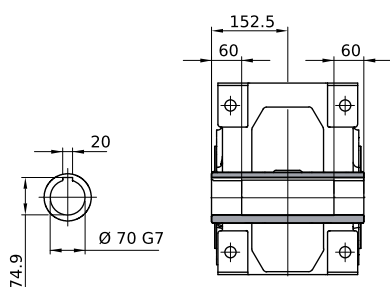
A 70 3 UH70 38.4 S5 VA M 5LA 4 230/460-60 IP55 CLF W 70 CUS

Dimensions [mm], Italic [In]

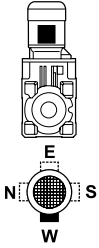
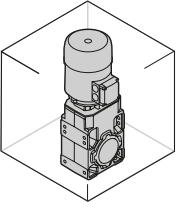
### Gearbox Dimensions



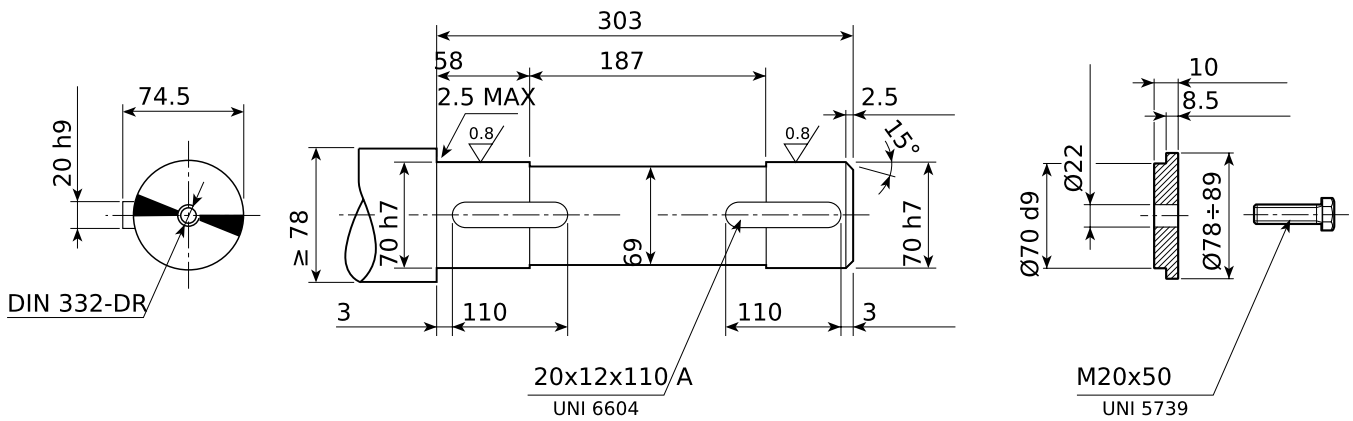
### Output Shaft



## Mounting Position



## Customer's Shaft



## Motor Dimensions

