

## Product Dimensions

Created by: naren@eximeng.com

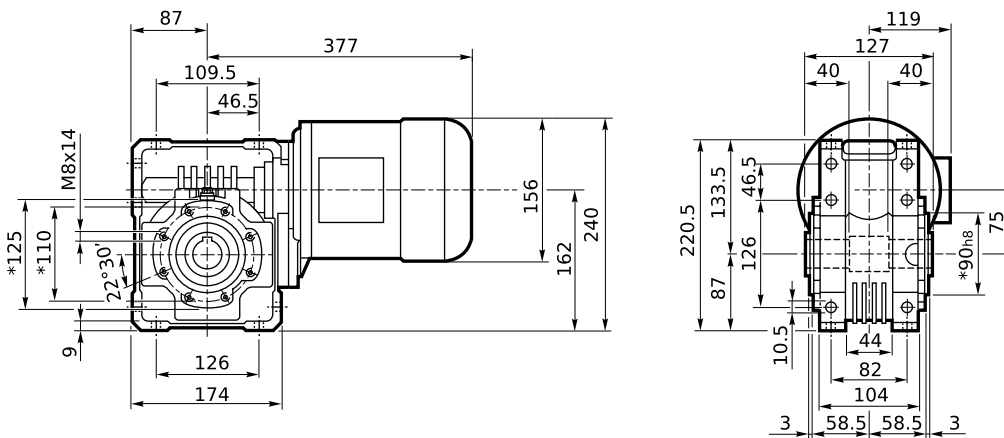
Created on: 06/02/2026

### Designation

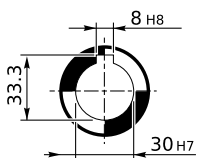
W 75 U D30 80 S2 B3 MX 2SB 4 230/460-60 IP55 CLF W75 N CUS

Dimensions [mm], Italic [In]

### Gearbox Dimensions



### Output Shaft



### Mounting Position

