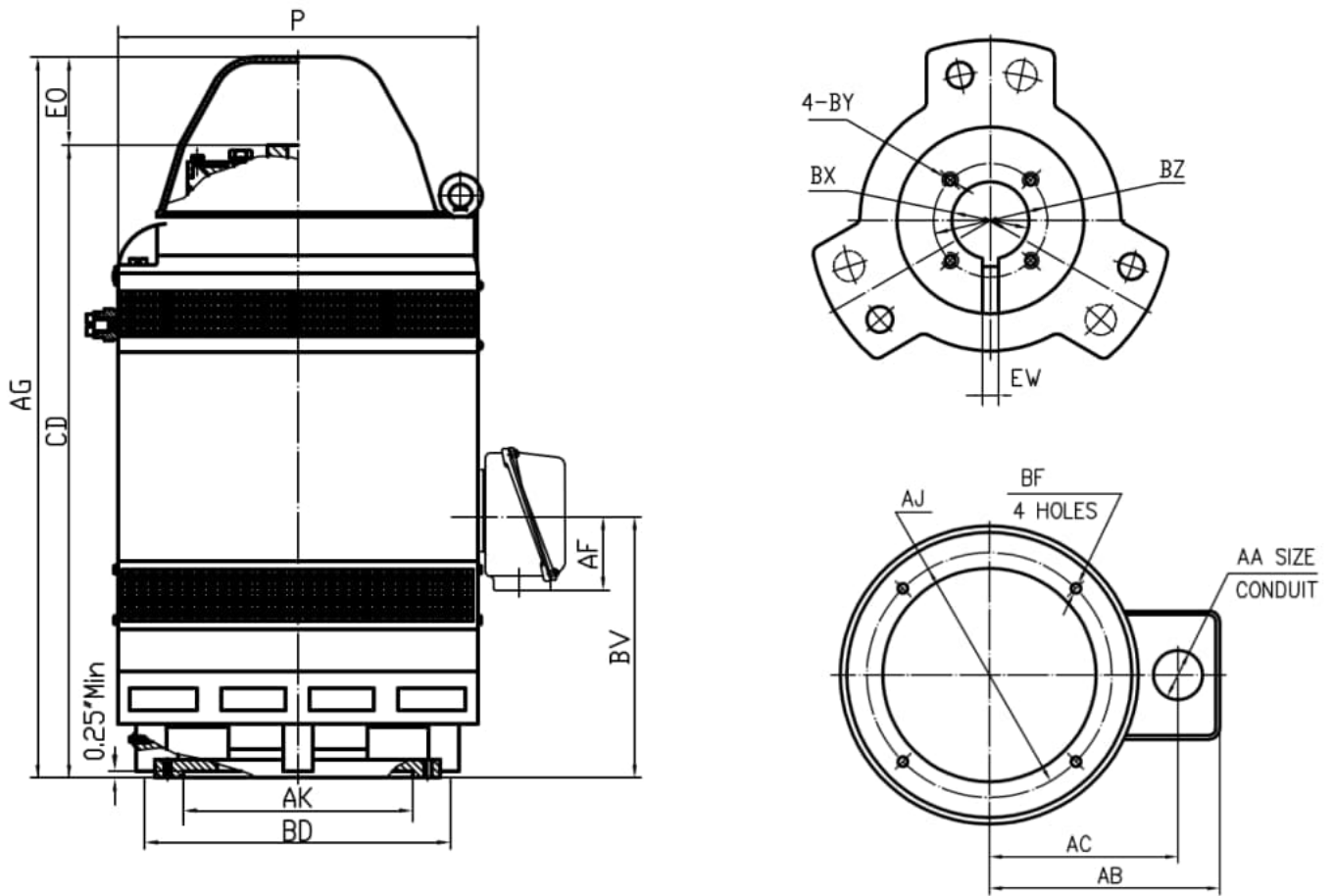


VERTICAL HOLLOW SHAFT MOTORS

WEATHER PROTECTED TYPE 1 (WP1)

VPLYWPHS400

100 - 125 HP



Mounting Dimensions (in)										Overall Dimensions (in)				
BD	AJ	AK	BF	BV	AF	BX	EW	CD	EO>	AA	P	AB	AC	AG
16.5	14.75	13.5	0.69	19.5	5.2	1.5	0.38	36.94	4.56	3	21.0	16.9	13.6	42.2

Model	Output (HP)	Frame	Weight (lbs.)
4WPHS100*	100	404TP	1422
4WPHS125*	125	405TP	1488

Bearings		Downthrust (lbs.)
Drive End	Opp. Drive End	
7230BM	6317	6700

Coupling Options & Dimensions (in)					
Part Number	BX Nominal	BX Actual	BY	BZ	SQ. Key
C400 - 1316	1 - 3/16	1.188	1/4 - 20	1 - 3/4	1/4
C400 - 114	1 - 1/4	1.251	1/4 - 20	1 - 3/4	1/4
C400 - 112	1 - 1/2	1.501	1/4 - 20	2 - 1/8	3/8
C400 - 11116	1 - 11/16	1.688	1/4 - 20	2 - 1/2	3/8
C400 - 11516	1 - 15/16	1.938	1/4 - 20	2 - 1/2	1/2

Flange Options			
BD	AJ	AK	BF
16.5	14.75	13.50	0.69