



Image may differ from product. See technical specification for details.

30207

Single row tapered roller bearing

Single row tapered roller bearings are designed to accommodate combined radial and axial loads and provide low friction during operation. The inner ring, with rollers and cage, can be mounted separately from the outer ring. These separable and interchangeable components facilitate mounting, dismounting and maintenance. By mounting one single row tapered roller bearing against another and applying a preload, a rigid bearing application can be achieved.

- High radial and axial load carrying capacity
- Accommodate axial loads in one direction
- Low friction and long service life
- Separable and interchangeable components

Overview

Dimensions

Bore diameter	35 mm
Outside diameter	72 mm
Width, total	18.25 mm
Width, inner ring	17 mm
Width, outer ring	15 mm
Contact angle	14 °

Performance

Basic dynamic load rating	63.2 kN
Basic static load rating	56 kN
Reference speed	8 000 r/min
Limiting speed	9 500 r/min
SKF performance class	SKF Explorer

Properties

Bearing part	Complete bearing
Number of rows	1
Locating feature, bearing outer ring	Without
Bore type	Cylindrical
Cage	Sheet metal
Arrangement of contact angle (double-row bearing)	Not applicable
Matched arrangement	No
Coating	Without
Sealing	Without
Lubricant	None
Relubrication feature	Without
Unit system	Metric
Indicative carbon footprint for new product	1.2 kg CO ₂ e

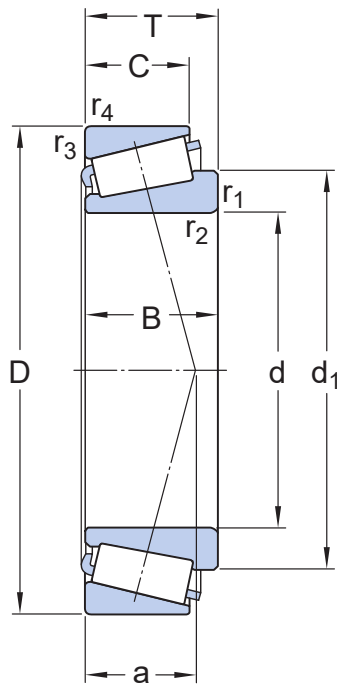
Logistics

Product net weight	0.326 kg
eClass code	23-05-09-10
UNSPSC code	31171516

Technical specification

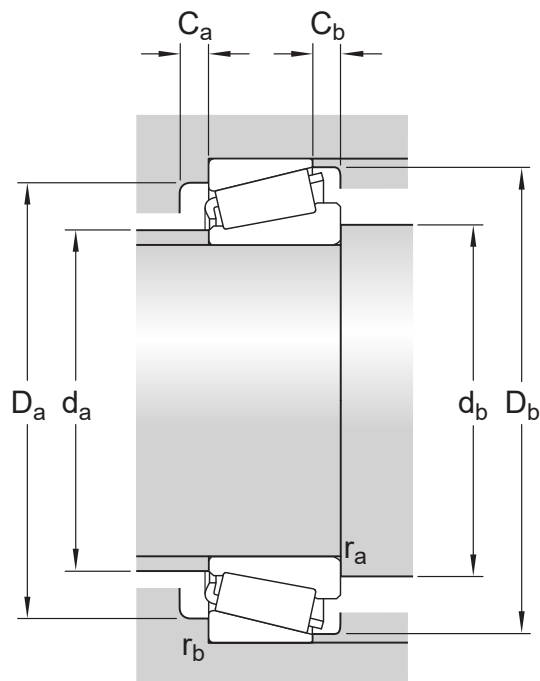
Dimension series

3DB



Dimensions

d	35 mm	Bore diameter
D	72 mm	Outside diameter
T	18.25 mm	Total width
d_1	≈ 51.95 mm	Shoulder diameter of inner ring
B	17 mm	Width of inner ring
C	15 mm	Width of outer ring
$r_{1,2}$	min. 1.5 mm	Chamfer dimension of inner ring
$r_{3,4}$	min. 1.5 mm	Chamfer dimension of outer ring
a	14.95 mm	Distance side face to pressure point



Abutment dimensions

d_a	max. 44 mm	Diameter of shaft abutment
d_b	min. 43.5 mm	Diameter of shaft abutment
D_a	min. 62 mm	Diameter of housing abutment
D_b	max. 64.5 mm	Diameter of housing abutment
D_b	min. 67 mm	Diameter of housing abutment
C_a	min. 3 mm	Minimum width of space required in housing on large side face
C_b	min. 3 mm	Minimum width of space required in housing on small side face
r_a	max. 1.5 mm	Radius of shaft fillet
r_b	max. 1.5 mm	Radius of housing fillet

Calculation data

SKF performance class		SKF Explorer
Basic dynamic load rating	C	63.2 kN
Basic static load rating	C_0	56 kN
Fatigue load limit	P_u	6.1 kN
Reference speed		8 000 r/min
Limiting speed		9 500 r/min
Limiting value	e	0.37
Calculation factor	Y	1.6

Tolerances and clearances

GENERAL BEARING SPECIFICATIONS

- **Tolerances:**
metric bearings: Normal and CL7C, CLN
inch bearings: Normal and CL, deviating width

BEARING INTERFACES

- Seat tolerances for standard conditions
- Tolerances and resultant fit

Terms of use