

Product Dimensions

Created by: naren@eximeng.com

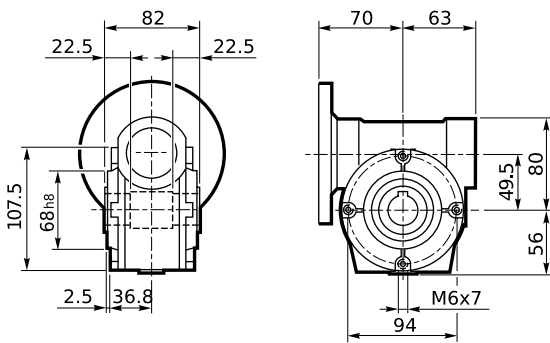
Created on: 24/03/2026

Designation

VF 49 P1 7 P71 B14 B3

Dimensions [mm], Italic [In]

Gearbox Dimensions



Input Dimensions

