



TITLE: HPS TITAN ENCAPSULATED TRANSFORMER
NAMEPLATE INFORMATION

DES:	LCEN
DATE:	25/07/25
SCALE:	NTS

SHEET 1 OF 2

EDB TN2A0002BKKA

0.0 httpd 2026/04/02 12:31

THIS DRAWING CONTAINS STRICTLY CONFIDENTIAL INFORMATION BELONGING TO HAMMOND POWER SOLUTIONS AND MUST NOT BE DISTRIBUTED OUTSIDE AUTHORIZED PARTIES.

hammond
POWER SOLUTIONS

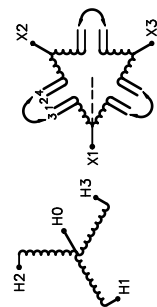
Guelph, ONT Compton, CA Baraboo, WI Monterrey, MX

HPS Titan™ N
Dry Type Encapsulated Transformer
Transformateur de Type Sec Encapsulé



31GW E258346
GENERAL PURPOSE TRANSFORMER FOR USE IN HAZARDOUS LOCATIONS BUILT TO ABS STANDARD

Cust. Ref. Ref. du Client	Serial No. No. de Serie	480Y/277V	2.4A	HAZARDOUS LOCATIONS CLASS 1, DIV 2 GROUPS A, B, C & D TEMPERATURE CODE: T3C
Phase	HV/HT	10 kV		HAZARDOUS LOCATIONS CLASS 1, ZONE 2 GROUPS IIC, T3 ELECTROSTATIC SHIELD TRANSFORMER SUITABLE FOR STEP UP OPERATION ONLY
Type	BIL	H0 H1 H2 H3		
Cooling Refroidissement	Term Bornes	208V	5.55A	
kVA	LV/BT	10 kV		
Temp. Rise Echauffement	BIL	X1 X2 X3		
Temp Class Classe Temp	Term Bornes			
Winding Enroulement				
Frequency Hz				
Impedance % @ 100 °C				
Encl. Type Type De Coffrage				
Weight lbs/kg Poids				

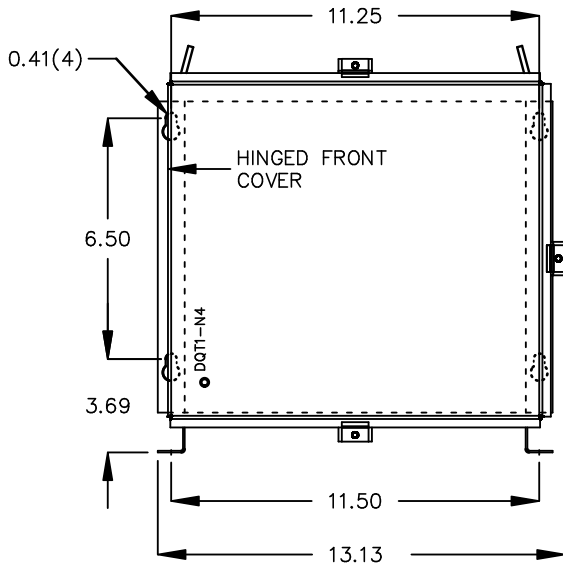


WARNING - EXPLOSION HAZARD. DO NOT DISCONNECT EQUIPMENT WHILE THE CIRCUIT IS LIVE OR UNLESS THE AREA IS FREE OF IGNITABLE CONCENTRATIONS.
AVERTISSEMENT : RISQUE D'EXPLOSION. NE PAS DÉBRANCHER PENDANT QUE LE CIRCUIT EST SOUS TENSION OU À MOINS QUE L'EMPLACEMENT NE SOIT EXEMPT DE CONCENTRATIONS INFLAMMABLES.

SEISMIC QUALIFICATIONS:
OSP=0136/IBC 201B/ASCE 7-16
SDS<=2.0g Z/h=1 Ip=1.5

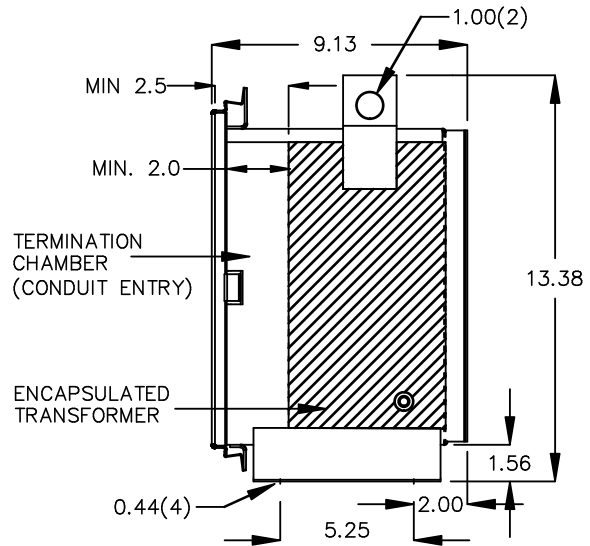
d000200bq

FRONT VIEW



All Dimensions in inches

SIDE VIEW



ENCLOSURE COLOR : ANSI 61 GREY – OUTDOOR

H.V.1. TERMINAL DETAIL

L.V.1. TERMINAL DETAIL

#14 AWG STRANDED COPPER
WIRE LEADS

#14 AWG STRANDED COPPER
WIRE LEADS

CUSTOMER NOTES:

- HV1 TERMINATED AT BOTTOM FRONT
- LV1 TERMINATED AT TOP FRONT



TITLE: HPS TITAN ENCAPSULATED TRANSFORMER

DES:	LCEN
DATE:	25/07/25
SCALE:	NTS

NO.	DATE	BY	REVISION

SHEET 2 OF 2

EDB TN2A0002BKKA