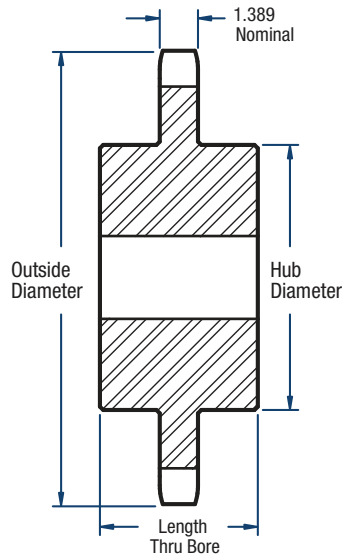


200 Sprockets

2 1/2" Pitch



BLACKSTAR®



TYPE C

Single- Type C

No. of Teeth	Catalog Number	Diameters (in)		Bore (in)		Hub (in)		Approx. Weight (lbs)
		Outside	Pitch	Minimum	Maximum	Diameter	Length Through Bore	
26	H200C26	22.09	20.740	1-1/2	5-3/4	8-1/2	4-1/2	178.0
28	H200C28	23.69	22.330	1-1/2	5-3/4	8-1/2	4-1/2	195.0
30	H200C30	25.29	23.917	1-1/2	5-3/4	8-1/2	4-1/2	212.0
32	200C32	26.88	25.505	1-1/2	5-3/4	8-1/2	4-1/2	220.0
35	200C35	29.28	27.890	1-1/2	5-3/4	8-1/2	4-1/2	254.0
40	200C40	33.27	31.865	1-1/2	6	9	5	320.0
45	200C45	37.25	35.840	1-1/2	6	9	5	364.0
54	200C54	44.42	42.995	1-1/2	6-1/2	9-1/2	5-1/2	512.0
60	200C60	49.20	47.768	1-1/2	6-1/2	9-1/2	5-1/2	654.0

NOTE: Maximum bores shown will accommodate a standard keyseat and a setscrew over the keyseat. Slightly larger bores are possible with no keyseat, a shallow keyseat, or a setscrew at an angle to the keyseat.