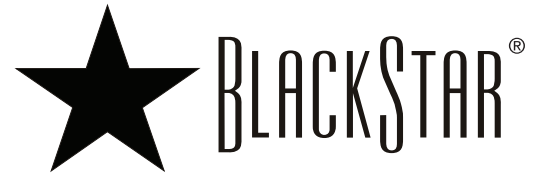
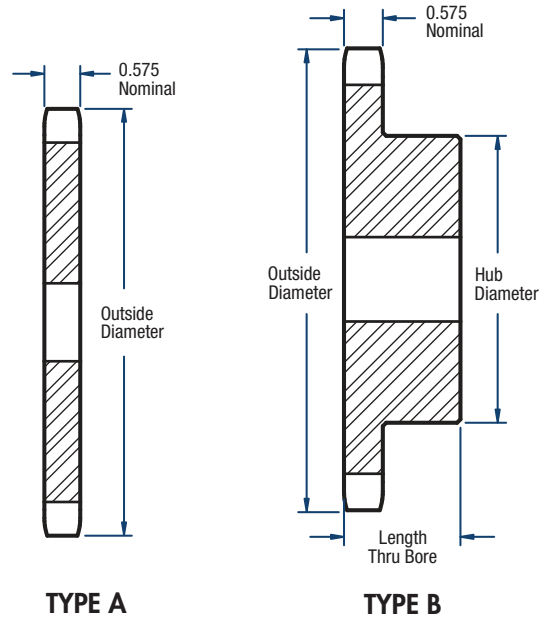


Double Pitch Sprockets



Conveyor or Driver Series— 2" Double Pitch



Conveyor Series- Carrier Roller Double Pitch- 2082/C2082

No. of Teeth	Diameters (in)		Catalog Number	Type	Bore (in)		Hub (in)		Approx. Weight (lbs)	Type	Catalog Number	Stock Bore (in)	Approx. Weight (lbs)
	Outside	Pitch			Min.	Max.	Diameter	Length Through Bore					
8	6.03	5.226	2082B8	B	1	2-17/32	3-51/64	1-3/4	6.4	—	—	—	—
9	6.70	5.848	2082B9	B	1	2-3/4	4-1/4	1-3/4	8.2	—	—	—	—
10	7.36	6.472	2082B10	B	1	2-3/4	4-1/4	1-3/4	9.2	—	—	—	—
11	8.01	7.099	2082B11	B	1	2-3/4	4-1/4	1-3/4	10.1	A	2082A11	15/16	5.7
12	8.66	7.727	2082B12	B	1	2-3/4	4-1/4	1-3/4	11.2	A	2082A12	15/16	6.8
13	9.31	8.357	2082B13	B	1-1/4	3-1/4	4-3/4	2	15.0	A	2024A13	1-3/16	7.7
14	9.96	8.988	2082B14	B	1-1/4	3-1/4	4-3/4	2	15.8	A	2082A14	1-3/16	9.1
15	10.61	9.620	2082B15	B	1-3/16	3-1/4	4-3/4	2	17.8	A	2082A15	1-3/16	10.7
16	11.25	10.252	2082B16	B	1-3/16	3-1/4	4-3/4	2	19.3	A	2082A16	1-3/16	12.4
17	11.90	10.885	2082B17	B	1-3/16	3-1/4	4-3/4	2	21.4	A	2082A17	1-3/16	14.1
18	12.54	11.518	2082B18	B	1-3/16	3-1/4	4-3/4	2	22.9	A	2082A18	1-3/16	15.4
19	13.19	12.151	2082B19	B	1-3/16	3-1/4	4-3/4	2	24.4	A	2082A19	1-3/16	18.0
20	13.83	12.785	2082B20	B	1-3/16	3-1/4	4-3/4	2	26.7	A	2082A20	1-3/16	19.2
21	14.47	13.419	2082B21	B	1-1/4	3-1/4	4-3/4	2	28.4	A	2082A21	1-1/4	20.8
22	15.11	14.053	2082B22	B	1-1/4	3-1/4	4-3/4	2	29.6	A	2082A22	1-1/4	23.7
23	15.75	14.688	2082B23	B	1-1/4	3-1/4	4-3/4	2	32.2	A	2082A23	1-1/4	24.9
24	16.39	15.323	2082B24	B	1-1/4	3-1/4	4-3/4	2	34.9	A	2082A24	1-1/4	27.6
25	17.03	15.958	2082B25	B	1-1/4	3-1/4	4-3/4	2	37.8	A	2082A25	1-1/4	30.2
26	17.67	16.593	2082B26	B	1-1/4	3-1/2	5-1/4	2	41.5	A	2082A26	1-1/4	32.8
28	18.95	17.863	2082B28	B	1-1/4	3-1/2	5-1/4	2	47.7	A	2082A28	1-1/4	38.6
30	20.23	19.134	2082B30	B	1-1/4	3-1/2	5-1/4	2	54.5	A	2082A30	1-1/4	43.8

NOTE: Maximum bores shown will accommodate a standard keyseat and a setscrew over the keyseat. Slightly larger bores are possible with no keyseat, a shallow keyseat, or a setscrew at an angle to the keyseat.