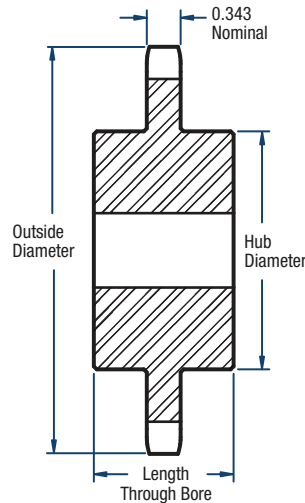


# 50 Sprockets

## 5/8" Pitch



# BLACKSTAR®



**TYPE C**

### Single- Type C

No. of Teeth	Catalog Number	Diameters (in)		Bore (in)		Hub (in)		Apprx. Weight (lbs)
		Outside	Pitch	Min.	Max.	Diameter	Length Through Bore	
12	H50C12	2.71	2.415	5/8	1-1/4	2*	1-5/8	1.25
13	H50C13	2.91	2.612	5/8	1-5/16	1-7/8	1-5/8	1.47
14	H50C14	3.11	2.809	5/8	1-7/16	2-1/8	1-5/8	1.69
15	H50C15	3.32	3.006	5/8	1-1/2	2-3/8	1-5/8	1.94
16	H50C16	3.52	3.204	5/8	1-3/4	2-1/2	1-5/8	2.42
17	H50C17	3.72	3.401	5/8	1-7/8	2-47/64	1-5/8	2.75
18	H50C18	3.92	3.599	5/8	1-7/8	2-15/16	1-5/8	3.25
19	H50C19	4.12	3.798	3/4	2	3-5/64	1-5/8	3.87
20	H50C20	4.32	3.995	3/4	2	3	1-5/8	4.40

\*Has recessed groove in the hub for chain clearance.

**NOTE:** Maximum bores shown will accommodate a standard keyseat and a setscrew over the keyseat. Slightly larger bores are possible with no keyseat, a shallow keyseat, or a setscrew at an angle to the keyseat.