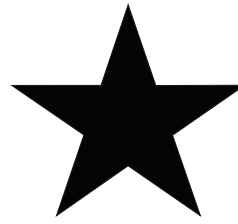
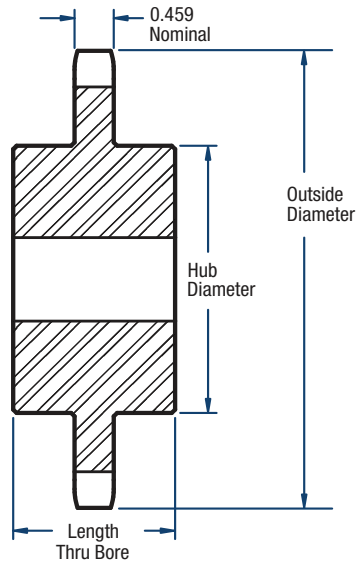


60 Sprockets

3/4" Pitch



BLACKSTAR®



TYPE C

Single- Type C

No. of Teeth	Catalog Number	Diameters (in)		Bore (in)		Hub (in)		Approx. Weight (lbs)
		Outside Diameter	Pitch Diameter	Min.	Max.	Diameter	Length Through Bore	
12	H60C12	3.25	2.898	3/4	1-3/8	2-3/8*	2	2.3
13	H60C13	3.49	3.134	3/4	1-1/2	2-11/32	2	2.8
14	H60C14	3.74	3.371	3/4	1-3/4	2-9/16	2	3.2
15	H60C15	3.98	3.608	3/4	1-7/8	2-7/8	2	3.5
16	H60C16	4.22	3.845	3/4	2	3-1/16	2	4.2
17	H60C17	4.46	4.082	3/4	2-1/4	3-1/4	2	4.8
18	H60C18	4.70	4.319	3/4	2-3/8	3-1/2	2	5.6

*Has recessed groove in the hub for chain clearance.
Sprockets with "H" prefix have hardened teeth.

NOTE: Maximum bores shown will accommodate a standard keyseat and a setscrew over the keyseat. Slightly larger bores are possible with no keyseat, a shallow keyseat, or a setscrew at an angle to the keyseat.