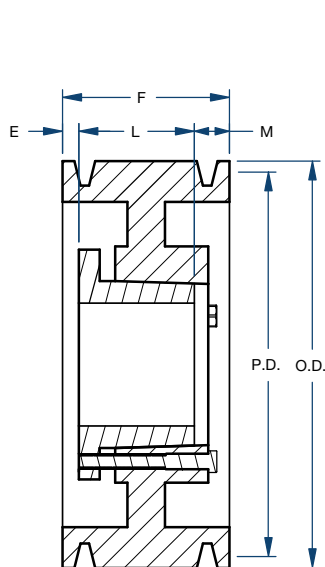
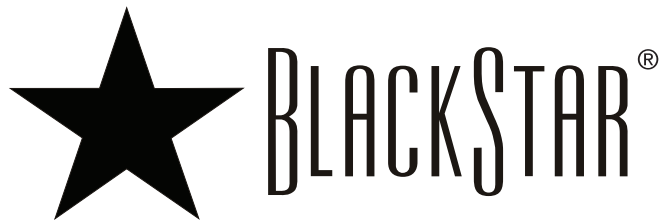
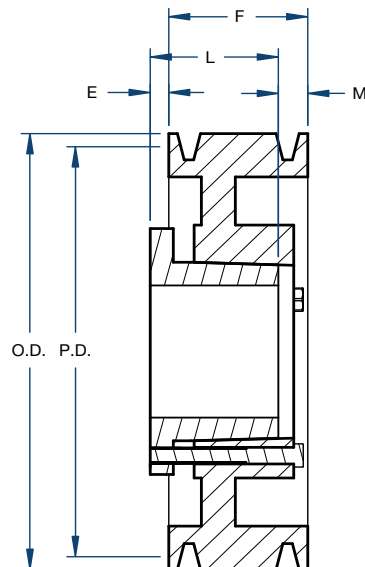


# Sheaves

## 3V SERIES 8 GROOVE/QD



Type A



Type D

Part Number	Bushing	Bore Range	Type	Diameter (in)		Dimensions (in)				Weight less Bushing (lbs)
				Pitch	Outside	E	F	L	M	
8-3V475SK	SK	1/2 – 2-5/8	D	4.70	4.75	21/32	3-17/32	1-15/16	2-1/4	7.2
8-3V500SK	SK	1/2 – 2-5/8	D	4.95	5.00	21/32	3-17/32	1-15/16	2-1/4	7.8
8-3V530SK	SK	1/2 – 2-5/8	A	5.25	5.30	17/32	3-17/32	1-15/16	1-1/16	9.3
8-3V560SK	SK	1/2 – 2-5/8	A	5.55	5.60	17/32	3-17/32	1-15/16	1-1/16	10.5
8-3V600SK	SK	1/2 – 2-5/8	A	5.95	6.00	17/32	3-17/32	1-15/16	1-1/16	12.5
8-3V650SK	SK	1/2 – 2-5/8	A	6.45	6.50	17/32	3-17/32	1-15/16	1-1/16	16.0
8-3V690SK	SK	1/2 – 2-5/8	A	6.85	6.90	17/32	3-17/32	1-15/16	1-1/16	18.0
8-3V800SF	SF	1/2 – 2-15/16	A	7.95	8.00	9/32	3-17/32	2-1/16	1-3/16	21.0
8-3V1060SF	SF	1/2 – 2-15/16	A	10.55	10.60	9/32	3-17/32	2-1/16	1-3/16	25.5
8-3V1400E	E	7/8 – 3-1/2	A	13.95	14.00	3/32	3-17/32	2-3/4	11/16	38.5
8-3V1900E	E	7/8 – 3-1/2	A	18.95	19.00	3/32	3-17/32	2-3/4	11/16	54.0
8-3V2500E	E	7/8 – 3-1/2	A	24.95	25.00	3/32	3-17/32	2-3/4	11/16	80.0
8-3V3350F	F	1 – 4	D	33.45	33.50	9/32	3-17/32	3-3/4	1/16	132.0