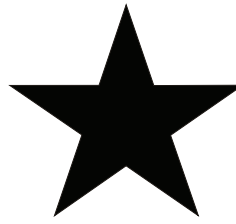


D40 Sprockets

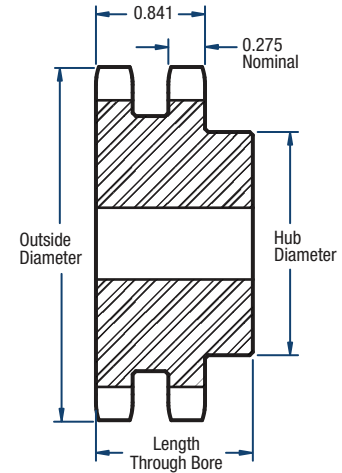
1/2" Pitch



BLACKSTAR®

Double- Type B

No. of Teeth	Catalog Number	Diameters (in)		Bore (in)		Hub (in)		Approx. Weight (lbs)
		Outside	Pitch	Min.	Max.	Diameter	Length Through Bore	
11	D40B11H	2.00	1.775	1/2	3/4	1-7/16*	1-1/2	0.62
12	D40B12H	2.17	1.932	1/2	15/16	1-9/16*	1-1/2	0.76
13	D40B13H	2.33	2.089	1/2	1	1-1/2	1-1/2	0.86
14	D40B14H	2.49	2.247	1/2	1-1/8	1-11/16	1-1/2	1.08
15	D40B15H	2.65	2.405	1/2	1-1/4	1-13/16	1-1/2	1.24
16	D40B16H	2.81	2.563	5/8	1-3/8	2	1-1/2	1.42
17	D40B17H	2.98	2.721	5/8	1-7/16	2-1/8	1-1/2	1.64
18	D40B18H	3.14	2.879	5/8	1-1/2	2-5/16	1-1/2	1.92
19	D40B19H	3.30	3.038	5/8	1-3/4	2-1/2	1-1/2	2.22
20	D40B20H	3.46	3.196	5/8	1-7/8	2-5/8	1-5/8	2.64
21	D40B21H	3.62	3.355	5/8	1-7/8	2-3/4	1-5/8	2.94
22	D40B22H	3.78	3.513	5/8	1-7/8	2-7/8	1-5/8	3.18
23	D40B23H	3.94	3.672	5/8	2	3	1-5/8	3.52
24	D40B24H	4.10	3.831	5/8	2-1/4	3-1/4	1-5/8	4.04
25	D40B25H	4.26	3.989	5/8	2-1/4	3-1/4	1-5/8	4.26
26	D40B26H	4.42	4.148	5/8	2-1/4	3-1/4	1-5/8	4.48
30	D40B30H	5.06	4.783	7/8	2-1/4	3-1/4	1-5/8	5.34
35	D40B35	5.86	5.578	7/8	2-1/4	3-1/4	1-5/8	6.80
36	D40B36	6.02	5.737	15/16	2-1/2	3-3/4	1-5/8	7.20
40	D40B40	6.65	6.373	15/16	2-1/2	3-3/4	1-3/4	9.40
42	D40B42	6.97	6.691	15/16	2-1/2	3-3/4	1-3/4	10.20
45	D40B45	7.45	7.168	15/16	2-1/2	3-3/4	1-3/4	11.36
48	D40B48	7.93	7.645	15/16	2-1/2	3-3/4	1-3/4	12.66
52	D40B52	8.57	8.281	15/16	2-1/2	3-3/4	1-3/4	14.46
54	D40B54	8.89	8.599	15/16	2-1/2	3-3/4	1-3/4	15.48
60	D40B60	9.84	9.554	15/16	2-1/2	3-3/4	1-3/4	18.60
68	D40B68	11.12	10.826	1-3/16	2-3/4	4-1/4	2-1/8	24.96
72	D40B72	11.75	11.463	1-3/16	2-3/4	4-1/4	2-1/8	27.88
76	D40B76	12.39	12.099	1-3/16	2-3/4	4-1/4	2-1/8	30.18
84	D40B84	13.66	13.372	1-3/16	2-3/4	4-1/4	2-1/8	36.24
95	D40B95	15.41	15.122	1-3/16	2-3/4	4-1/4	2-1/8	38.84
96	D40B96	15.57	15.282	1-3/16	2-3/4	4-1/4	2-1/8	39.50
102	D40B102	16.53	16.236	1-3/16	2-3/4	4-1/4	2-1/8	42.72
112	D40B112	18.12	17.827	1-3/16	2-3/4	4-1/4	2-1/8	55.54



TYPE B

Sprockets with "H" suffix have hardened teeth.
 *Has recessed groove in the hub for chain clearance.

NOTE: Maximum bores shown will accommodate a standard keyseat and a setscrew over the keyseat. Slightly larger bores are possible with no keyseat, a shallow keyseat, or a setscrew at an angle to the keyseat.