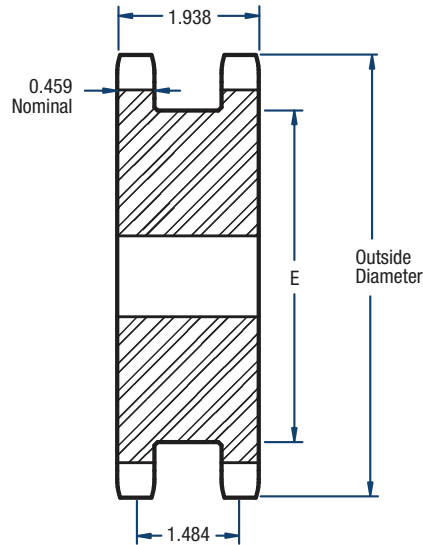


DS60 Sprockets

3/4" Pitch



BLACKSTAR®



TYPE A

Double Single- Type A

| No. of Teeth | Catalog Number | Diameters (in) | | Bore (in) | | E | Approx. Weight (lbs) |
|--------------|----------------|----------------|-------|-----------|---------|---------|----------------------|
| | | Outside | Pitch | Min. | Max. | | |
| 13 | DS60A13H | 3.49 | 3.134 | 3/4 | 1-1/4 | 2-11/32 | 2.6 |
| 14 | DS60A14H | 3.74 | 3.371 | 3/4 | 1-5/16 | 2-9/16 | 3.2 |
| 15 | DS60A15H | 3.98 | 3.608 | 3/4 | 1-1/2 | 2-7/8 | 3.8 |
| 16 | DS60A16H | 4.22 | 3.845 | 3/4 | 1-11/16 | 3-3/64 | 4.5 |
| 17 | DS60A17H | 4.46 | 4.082 | 3/4 | 1-3/4 | 3-1/4 | 5.3 |
| 18 | DS60A18H | 4.70 | 4.319 | 3/4 | 1-7/8 | 3-1/2 | 6.5 |
| 19 | DS60A19H | 4.95 | 4.557 | 3/4 | 2-1/16 | 3-45/64 | 6.8 |
| 20 | DS60A20H | 5.19 | 4.794 | 3/4 | 2-1/4 | 3-61/64 | 7.0 |
| 21 | DS60A21H | 5.43 | 5.033 | 3/4 | 2-3/4 | 4-3/16 | 7.5 |
| 22 | DS60A22H | 5.67 | 5.270 | 3/4 | 2-3/4 | 4-7/16 | 11.0 |
| 23 | DS60A23H | 5.91 | 5.508 | 3/4 | 2-3/4 | 4-21/32 | 11.5 |
| 24 | DS60A24H | 6.15 | 5.746 | 3/4 | 2-3/4 | 4-29/32 | 12.0 |

Sprockets with "H" suffix have hardened teeth.

NOTE: Maximum bores shown will accommodate a standard keyseat and a setscrew over the keyseat. Slightly larger bores are possible with no keyseat, a shallow keyseat, or a setscrew at an angle to the keyseat.