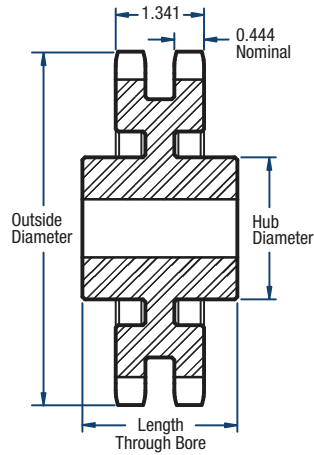


D60 Sprockets

3/4" Pitch



BLACKSTAR[®]



TYPE C

Double- Type C

No. of Teeth	Catalog Number	Diameters (in)		Bore (in)		Hub (in)		Approx. Weight (lbs)
		Outside	Pitch	Min.	Max.	Diameter	Length Through Bore	
68	D60C68	16.67	16.240	1-1/4	3-5/16	5	3	53.7
72	D60C72	17.63	17.195	1-1/4	3-5/16	5	3	53.7
76	D60C76	18.58	18.149	1-1/4	3-5/16	5	3	60.3
95	D60C95	23.12	22.683	1-1/4	3-3/4	5-1/2	3-1/2	87.1

NOTE: Maximum bores shown will accommodate a standard keyseat and a setscrew over the keyseat. Slightly larger bores are possible with no keyseat, a shallow keyseat, or a setscrew at an angle to the keyseat.