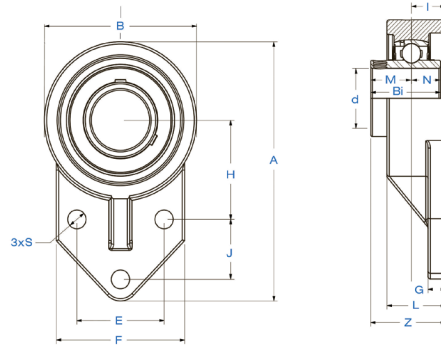




SUCSFBM 200

Normal-Duty 3-Bolt Flange Bracket
Setscrew Lock



Seal
Styles



Permanent
Lubrication

| Bearing Number | Shaft Dia. | Dimensions in. mm. | | | | | | | | | | | | | Bolt Used | Load Rating lbs. kN. | | Bearing Insert | Housing Number | Wt. lbs. kg. | | |
|-------------------|------------|--------------------|--------------|--------------|--------------|--------------|--------------|--------------|--------------|---------------|---------------|--------------|----------------|----------------|----------------|----------------------|----------------|----------------|----------------|--------------|------------|------------|
| | d in. mm. | A | H | E | J | I | G | L | S | B | F | Z | Bi | N | | M | in. mm. | | | | Dynamic Cr | Static Cor |
| SUCSFBM 201L4L | 12 | | | | | | | | | | | | | | | | | | | SUC 201 | | |
| SUCSFBM 201-8L4L | 1/2 | | | | | | | | | | | | | | | | | | | SUC 201-8 | | |
| SUCSFBM 202L4L | 15 | | | | | | | | | | | | | | | | | | | SUC 202 | SFBM 204 | 1.5 0.6 |
| SUCSFBM 202-10L4L | 5/8 | 4.25 108.0 | 1.70 43.3 | 1.50 38.1 | 0.87 22.0 | 0.63 15.9 | 0.31 8.0 | 1.00 25.4 | 0.39 10.0 | 2.50 63.5 | 2.38 60.0 | 1.35 34.2 | 1.2205 31.0 | 0.5000 12.7 | 0.7205 18.3 | 5/16 M8 | 2,331 10.37 | 1,142 5.08 | SUC 202-10 | | | |
| SUCSFBM 203L4L | 17 | | | | | | | | | | | | | | | | | | | SUC 203 | | |
| SUCSFBM 204-12L4L | 3/4 | | | | | | | | | | | | | | | | | | | SUC 204-12 | | |
| SUCSFBM 204L4L | 20 | | | | | | | | | | | | | | | | | | | SUC 204 | | |
| SUCSFBM 205-14L4L | 7/8 | | | | | | | | | | | | | | | | | | | SUC 205-14 | SFBM 205 | 1.8 0.7 |
| SUCSFBM 205-15L4L | 15/16 | 4.75 121.0 | 1.81 46.0 | 1.63 41.3 | 1.13 28.5 | 0.66 16.7 | 0.39 10.0 | 1.13 28.5 | 0.39 10.0 | 2.75 70.0 | 2.50 63.0 | 1.44 36.5 | 1.3425 34.1 | 0.5630 14.3 | 0.7795 19.8 | 5/16 M8 | 2,542 11.31 | 1,349 6.00 | SUC 205-15 | | | |
| SUCSFBM 205L4L | 25 | | | | | | | | | | | | | | | | | | | SUC 205 | | |
| SUCSFBM 205-16L4L | 1 | | | | | | | | | | | | | | | | | | | SUC 205-16 | | |
| SUCSFBM 206-17L4L | 1 1/16 | | | | | | | | | | | | | | | | | | | SUC 206-17 | SFBM 206 | 2.1 0.9 |
| SUCSFBM 206-18L4L | 1 1/8 | | | | | | | | | | | | | | | | | | | SUC 206-18 | | |
| SUCSFBM 206L4L | 30 | 5.38 136.0 | 2.06 52.4 | 1.88 47.6 | 1.25 31.7 | 0.73 18.6 | 0.39 10.0 | 1.25 32.0 | 0.39 10.0 | 3.25 82.0 | 2.75 69.5 | 1.61 40.8 | 1.5000 38.1 | 0.6260 15.9 | 0.8740 22.2 | 5/16 M8 | 3,554 15.81 | 1,942 8.64 | SUC 206 | | | |
| SUCSFBM 206-19L4L | 1 3/16 | | | | | | | | | | | | | | | | | | | SUC 206-19 | | |
| SUCSFBM 206-20L4L | 1 1/4 | | | | | | | | | | | | | | | | | | | SUC 206-20 | | |
| SUCSFBM 207-20L4L | 1 1/4 | | | | | | | | | | | | | | | | | | | SUC 207-20 | SFBM 207 | 3.3 1.5 |
| SUCSFBM 207-21L4L | 1 5/16 | | | | | | | | | | | | | | | | | | | SUC 207-21 | | |
| SUCSFBM 207-22L4L | 1 3/8 | 6.13 156.0 | 2.38 60.3 | 2.00 50.8 | 1.25 31.7 | 0.83 21.0 | 0.53 13.5 | 1.44 36.5 | 0.51 13.0 | 3.75 95.0 | 3.25 82.5 | 1.83 46.4 | 1.6890 42.9 | 0.6890 17.5 | 1.0000 25.4 | 7/16 M10 | 4,683 20.83 | 2,626 11.68 | SUC 207-22 | | | |
| SUCSFBM 207L4L | 35 | | | | | | | | | | | | | | | | | | | SUC 207 | | |
| SUCSFBM 207-23L4L | 1 7/16 | | | | | | | | | | | | | | | | | | | SUC 207-23 | | |
| SUCSFBM 208-24L4L | 1 1/2 | | | | | | | | | | | | | | | | | | | SUC 208-24 | SFBM 208 | 4.4 2.0 |
| SUCSFBM 208-25L4L | 1 9/16 | 6.44 164.0 | 2.38 60.3 | 1.97 50.0 | 1.63 41.3 | 0.83 21.0 | 0.69 17.0 | 1.41 35.7 | 0.47 12.0 | 3.94 100.0 | 3.06 78.0 | 2.02 51.2 | 1.9370 49.2 | 0.7480 19.0 | 1.1890 30.2 | 3/8 M10 | 5,294 23.55 | 3,057 13.60 | SUC 208-25 | | | |
| SUCSFBM 208L4L | 40 | | | | | | | | | | | | | | | | | | | SUC 208 | | |
| SUCSFBM 209-26L4L | 1 5/8 | | | | | | | | | | | | | | | | | | | SUC 209-26 | SFBM 209 | 5.8 2.6 |
| SUCSFBM 209-27L4L | 1 11/16 | 6.88 174.0 | 2.56 65.0 | 2.13 54.0 | 1.69 42.9 | 0.86 21.8 | 0.75 18.5 | 1.38 34.5 | 0.47 12.0 | 4.19 106.0 | 3.16 80.0 | 2.05 52.0 | 1.9370 49.2 | 0.7480 19.0 | 1.1890 30.2 | 3/8 M10 | 5,923 26.35 | 3,507 15.60 | SUC 209-27 | | | |
| SUCSFBM 209-28L4L | 1 3/4 | | | | | | | | | | | | | | | | | | | SUC 209-28 | | |
| SUCSFBM 209L4L | 45 | | | | | | | | | | | | | | | | | | | SUC 209 | | |
| SUCSFBM 210-30L4L | 1 7/8 | | | | | | | | | | | | | | | | | | | SUC 210-30 | SFBM 210 | 6.1 2.8 |
| SUCSFBM 210-31L4L | 1 15/16 | 7.50 191.0 | 2.94 74.6 | 2.75 70.0 | 1.63 41.3 | 0.86 21.8 | 0.56 14.0 | 1.50 38.0 | 0.52 13.0 | 4.66 118.0 | 4.00 102.0 | 2.14 54.4 | 2.0315 51.6 | 0.7480 19.0 | 1.2835 32.6 | 7/16 M10 | 6,402 28.48 | 4,046 18.00 | SUC 210-31 | | | |
| SUCSFBM 210L4L | 50 | | | | | | | | | | | | | | | | | | | SUC 210 | | |
| SUCSFBM 210-32L4L | 2 | | | | | | | | | | | | | | | | | | | SUC 210-32 | | |