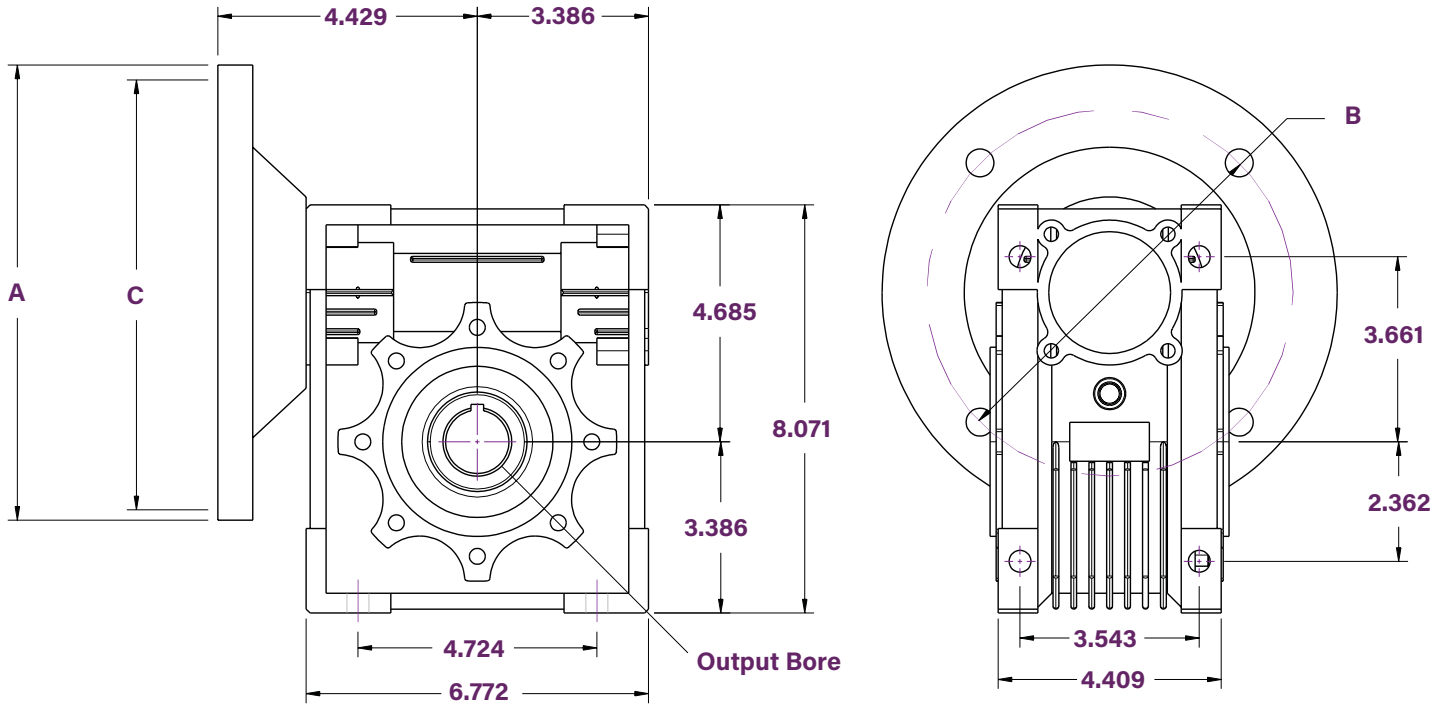


VMRV-75 Dimensions



Worm Gear Reducer

All dimensions listed in inches



Motor Options & Dimensions

NEMA Frame	Motor Shaft Dia.	A	B	C
		OD Flange	Bolt Circle	Pilot Bore
56C	0.625	6.50	5.88	4.50
140TC	0.875			
180TC	1.125	9.00	7.25	8.50

Ratios

Nominal Ratios
5:1
7.5:1
10:1
15:1
20:1
25:1
30:1
40:1
50:1
60:1
100:1

Specifications

Center Distance	Weight* (lbs.)	Est. Oil Fill Amount (oz.)
2.953	21.07	19.50

Hollow Output Shaft

Output Bore	Output Keyway
1.250	1/4 x 1/8

Ordering Information

Series	Size	Ratio	NEMA Input
VMRV	75	60	56C

*Reducer weights are approximate and can vary by several pounds depending on flange and ratio options

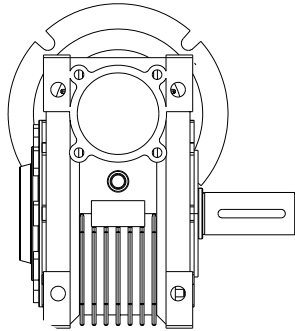
VMRV-75 Accessories



Worm Gear Reducer

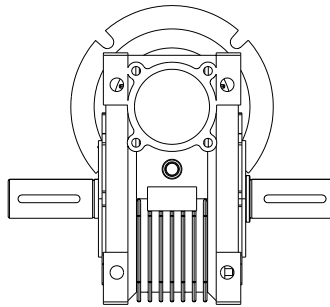
All dimensions listed in inches

Solid Output Shaft Configurations

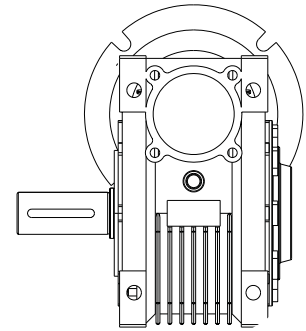


VMRV-75 with OSS & CVR

(Left hand orientation)



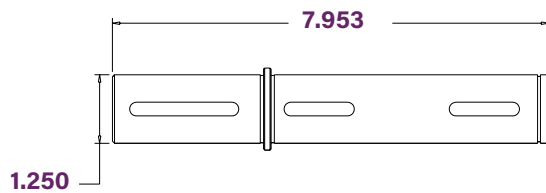
VMRV-75 with OSD



VMRV-75 with OSS & CVR

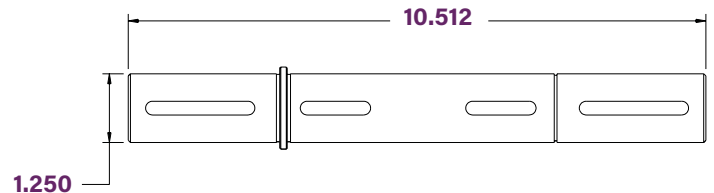
(Right hand orientation)

Available Accessories



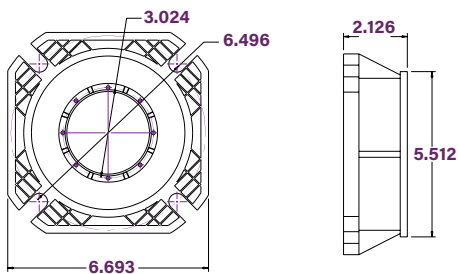
Single Output Shaft

VMRV-75 OSS



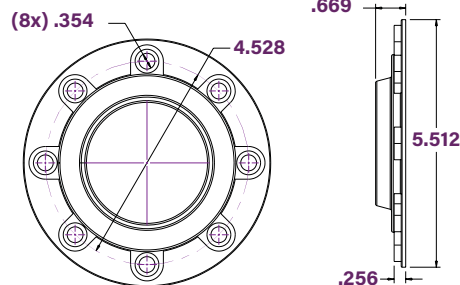
Double Output Shaft

VMRV-75 OSD



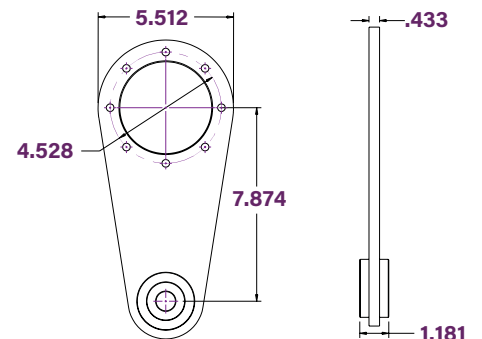
Output Flange

VMRV-75 OSF



Output Cover

VMRV-75 CVR



Torque Arm

VMRV-75 TA