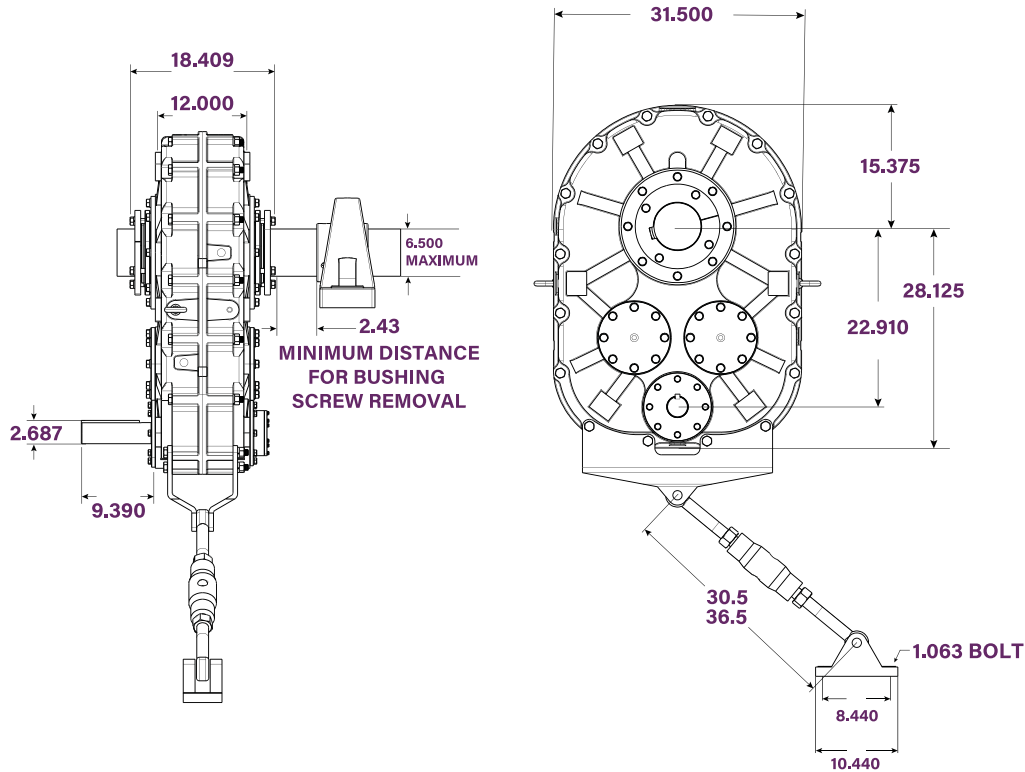


VXT12 XD Dimensions

XD Style Speed Reducer (AGMA Size 608)

All dimensions listed in inches



Output Hub Tapered Bushings

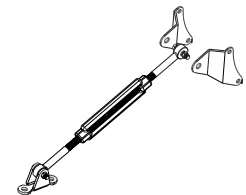
(Other bushing sizes available by special order)

Bushing Kit Number (Bore Diameter)	Shaft Keyseat Required	Weight (lbs.)
XBK12 5 7/16	1-1/4 x 5/8 x 17-1/4	53.1
XBK12 5 15/16	1-1/2 x 3/4 x 17-1/4	47.3
XBK12 6	1-1/2 x 3/4 x 17-1/4	46.2
XBK12 6 7/16	1-1/2 x 3/4 x 17-1/4	38.4
XBK12 6 1/2	1-1/2 x 3/4 x 17-1/4	37.4

XD Style Speed Reducer (AGMA Size 507)

Reducer Unit	Exact Ratio	Maximum Output RPM	Weight (lbs.)
VXT1215 XD	14:89:1	110	2127
VXT1225 XD	24:65:1	75	2127

Included Torque Arm



Torque Arm Kit Number	Weight (lbs.)
12TA	68

*Check the driven shaft and key for adequate load capacity

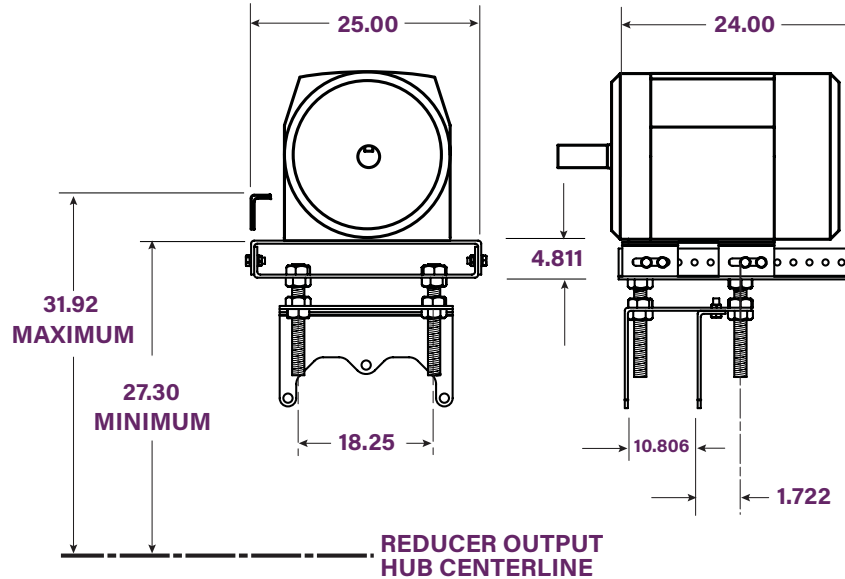
VXT12 XD Accessories

XD Style Speed Reducer (AGMA Size 608)

All dimensions listed in inches

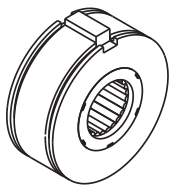


Motor Mount



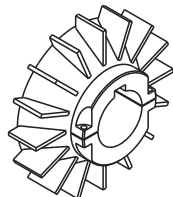
Motor Mount Kit Number	NEMA Motor Frame	Weight (lbs.)
12MMA	286T-445T	255

NEMA Frame	V-Belt Center Distance				
	280	320	360	400	440
Minimum C.D.	57	57.7	58.7	59.7	60.7
Maximum C.D.	61	62.1	63.1	64.1	65.1



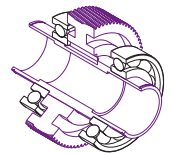
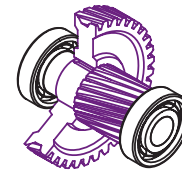
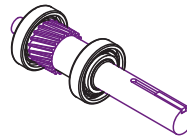
Backstop

10A/12 BKS



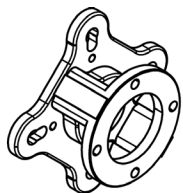
Cooling Fan Kit

Not Available



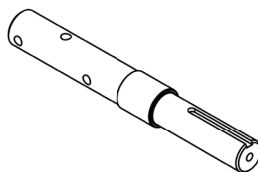
Component Replacement Repair Kit

12RK



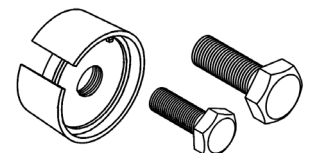
Screw Conveyor Flange

Not Available



Screw Conveyor Drive Shaft

Not Available



Screw Conveyor Shaft Removal Wedge

Not Available

Output Shaft Diameter Options

Not Available