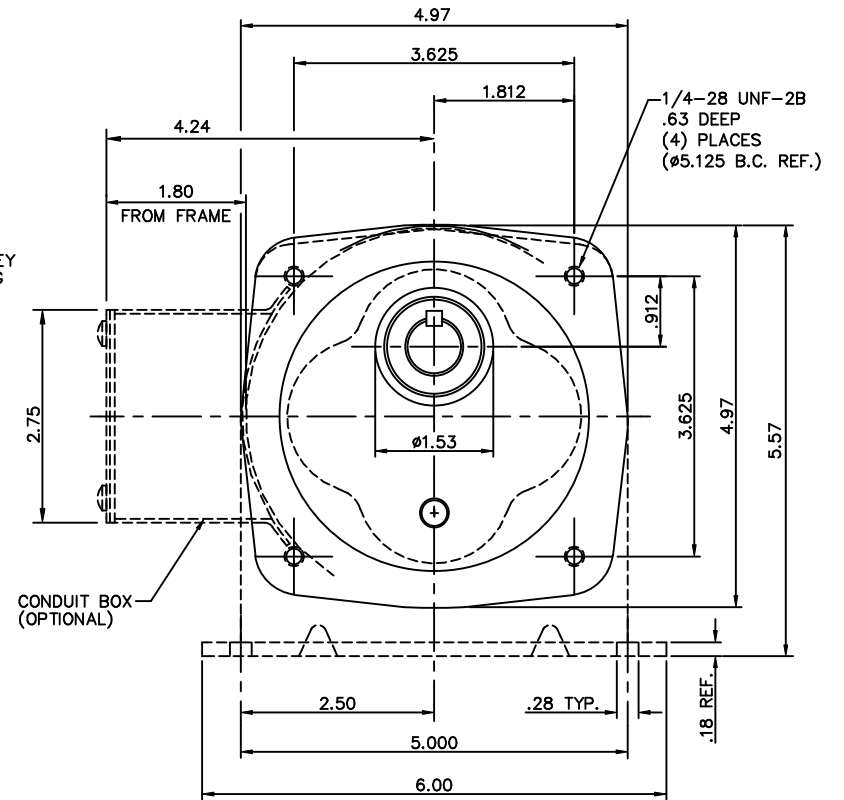


(6) MOTOR LEADS  
(1) GROUND LEAD  
12.00 MIN.  
AWG. NO.18, UL NO. 3173  
STRIPPED APPROX. .50



CATALOG NUMBER	OUTPUT RPM	FULL LOAD TORQUE LB.-IN.	INPUT HP	OVERHUNG LOAD LBS.	RATIO TO 1
096004.00	29	270	1/6	327	58
096005.00	34	250	1/6	330	50
096006.00	40	180	1/6	303	43
096007.00	59	135	1/6	267	29
096008.00	75	90	1/6	256	23
096009.00	113	68	1/6	222	15
096010.00	160	45	1/6	196	10
096011.00	340	25	1/6	190	5

				TOLERANCES UNLESS OTHERWISE SPECIFIED		<b>LEESON ELECTRIC CORPORATION</b>			
				DECIMALS		DRAWN DWF 7/14/97		TITLE	
				.00	± .01	CH'K'D.		OUTLINE DRAWING	
				.000	± .005	APPR.		42 FRAME PE350 STOCK	
				.0000	± .0005	SCALE 1=1.5		MAT'L.	
				FRACTIONS ± 1/64		REF. PR970359		FINISH LEESON STOCK	
				ANGLES ± 1/2'		FMF 092141.00		SIZE B	
				INCH/MM				DRAWING NO. 027689	
<p>THIS DRAWING IN DESIGN AND DETAIL IS OUR PROPERTY AND MUST NOT BE USED EXCEPT IN CONNECTION WITH OUR WORK ALL RIGHTS OF DESIGN AND INVENTION ARE RESERVED</p>									

```
ERROR: undefined  
OFFENDING COMMAND: de
```

```
STACK:
```

```
[0 0.12 0.12 0 12.9997 12.9997 ]  
/$x
```