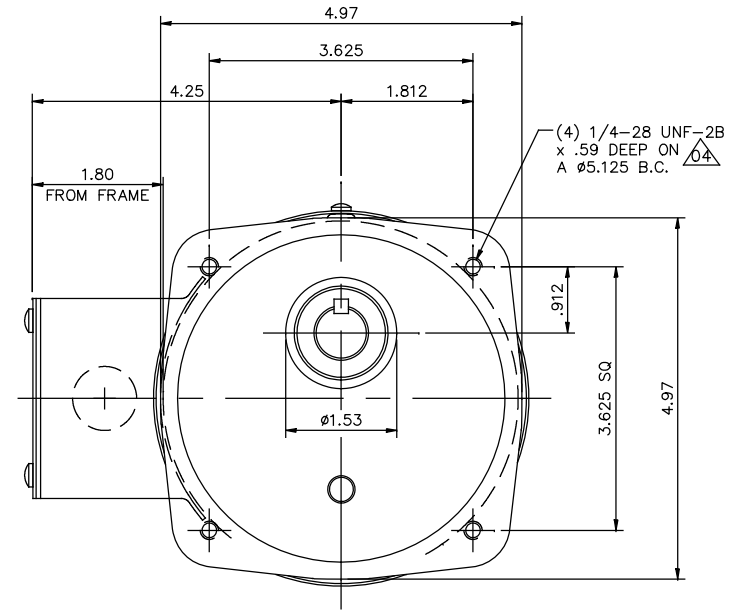
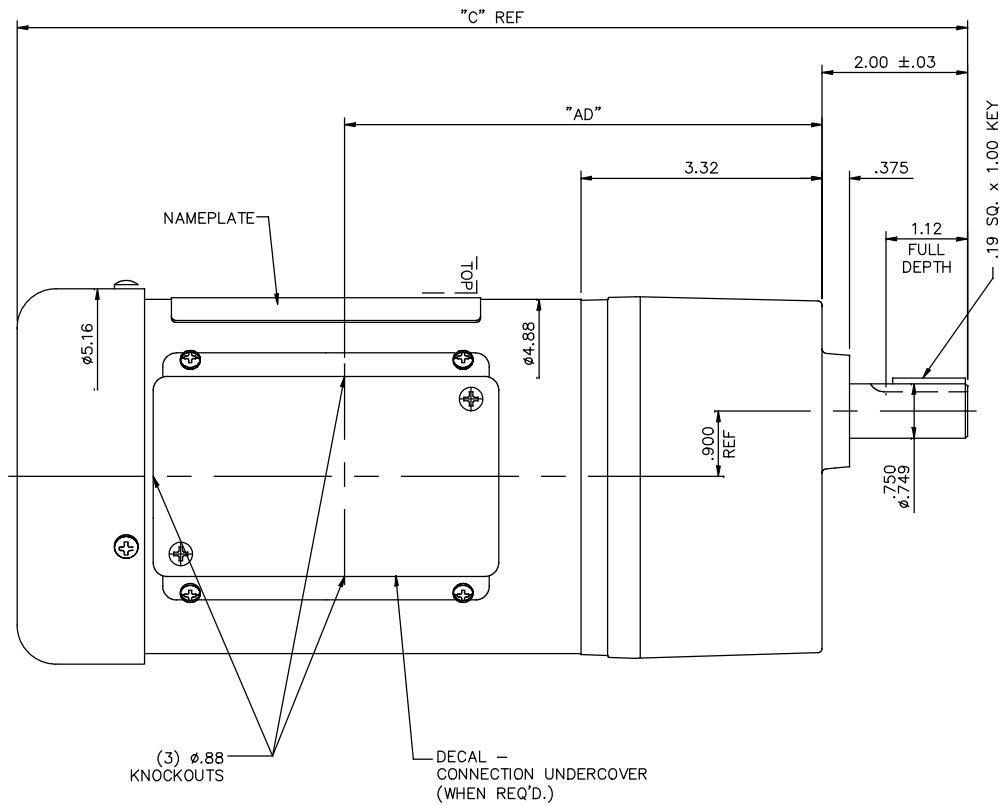


027874



CATALOG NUMBER	OUTPUT RPM	FULL LOAD TORQUE LB.-IN.	INPUT HP	OVERHUNG LOAD LBS.	RATIO TO 1	"C"	"AD"
096065.00	9	341	1/6	327	180	13.07	6.56
096066.00	29	300	1/4	327	58	13.07	6.56
096067.00	58	244	1/4	327	30	13.07	6.56
096068.00	85	165	1/4	327	20	13.07	6.56
096069.00	173	92	1/4	327	10	13.07	6.56
096070.00	345	50	1/4	327	5	13.07	6.56

NO.		REVISION	BY & DATE	CHK	ANG	±1/2"	FINISH	PREV	
04	THREAD DEPTH WAS .63"		JD 06/06/17						
03	ADDED 096065.00 TO PRINT		RDW 4/18/07	KH	.X	±.1			
02	096070.00 RPM WAS 58, TORQUE WAS 244 & RATIO WAS 30		RDW 12/14/05	SW	.XX	±.03			
01	ADDED PERFORMANCE ATTRIBUTES TABLE		RLW 7/7/05		.XXX	±.005			
TOLERANCES UNLESS SPECIFIED									
DEC.		INCHES							
THIS DRAWING IN DESIGN AND DETAIL IS OUR PROPERTY AND MUST NOT BE USED EXCEPT IN CONNECTION WITH OUR WORK. ALL RIGHTS OF DESIGN AND INVENTION ARE RESERVED. THIS IS AN ELECTRONICALLY GENERATED DOCUMENT - DO NOT SCALE THIS PRINT		RFP		CAD FILE		027874		SIZE B DRAWING NO. 027874	
DIST								REV. 04	

GASKETS THROUGHOUT



ELECTRIC MOTORS
GEARMOTORS
AND DRIVES

DRAWN	LST 5/17/05
CHK	RW 5/17/05
APPD	KH 5/17/05
SCALE	5=8
REF	PR040182
FMF	
PREV	

TITLE OUTLINE - 42Y FRAME
TEFC - PE350 GEARMOTOR