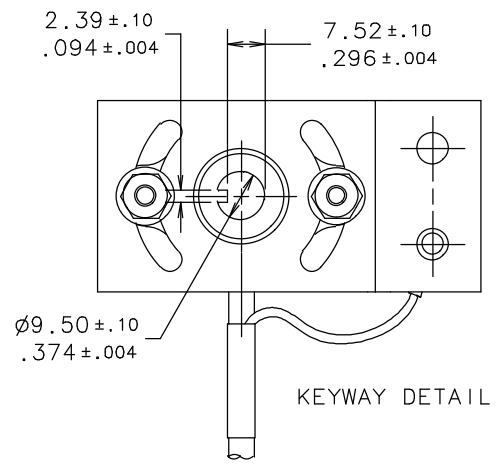
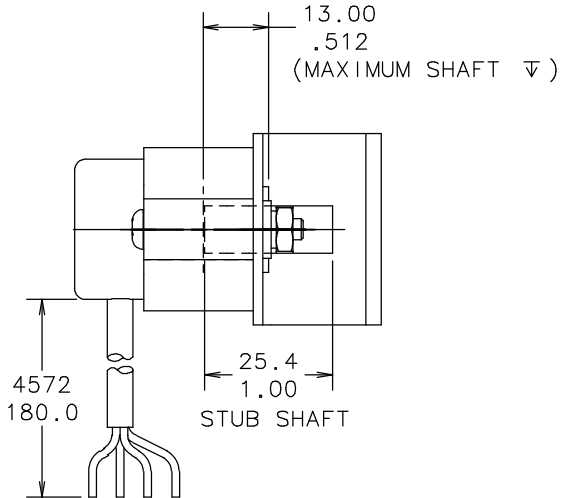
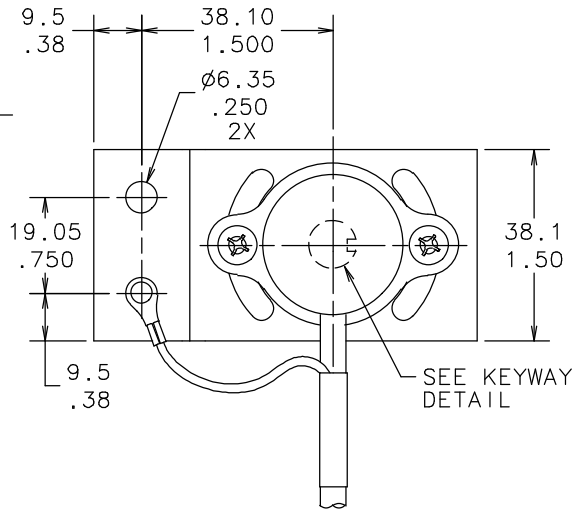
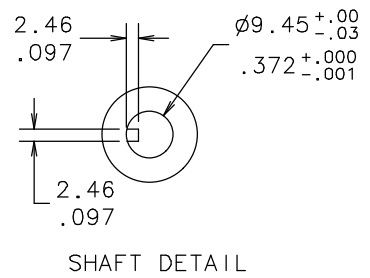
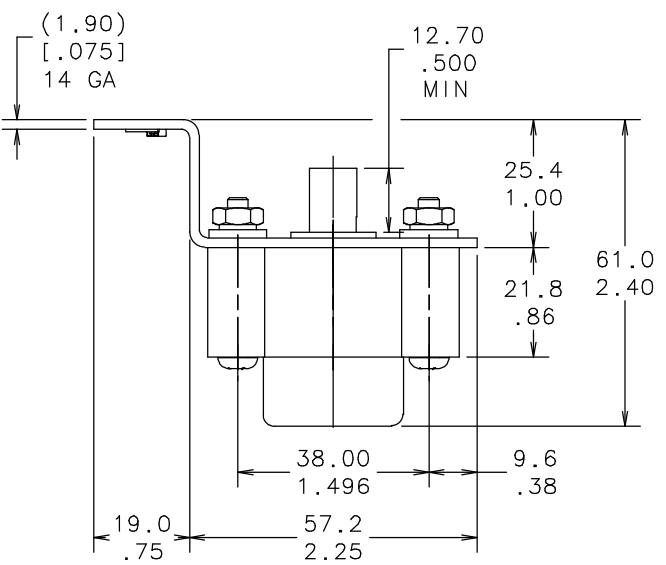


B-964516S



GEOMETRIC TOLERANCE VALUES		THIRD ANGLE PROJECTION	
MM	INCH		
.013	.0005	SURFACE ROUGHNESS VALUES	
.03	.001		
.05	.002	μm	μin
.08	.003	6.3	250
.13	.005	3.2	125
.20	.008	1.6	63
.25	.010	0.8	32
.38	.015	0.4	16
		0.2	8

UNLESS OTHERWISE SPECIFIED

1. SURFACE TEXTURE: \checkmark
2. METRIC TOLERANCES: X ± 0.8 ; .X ± 0.5 ; .XX ± 0.13
3. ANGLES $\pm .5^\circ$
4. PRIMARY DIMENSIONS ARE IN MM
SECONDARY DIMENSIONS ARE IN INCHES
5. REMOVE ALL BURRS AND SHARP EDGES
6. DO NOT SCALE DWG - WORK TO DIMS
7. PART MUST CONFORM TO ENGINEERING STANDARD WORK INSTRUCTIONS

nexen Nexen Group, Inc.

TITLE GENERAL DIMENSIONS

MODEL DANCER, POSITION, DPS60, 24VDC

MATL	A	44341		02-14-06
MATL #	REV	ECO	ERO	DATE
DWN	SHO	DATE 02-14-06	SCALE: NONE <input checked="" type="checkbox"/>	WAS
CHKD	PAR	DATE 02-14-06	SHEET 1 OF 1	
APVD	KM	DATE 02-14-06	B-964516S A	