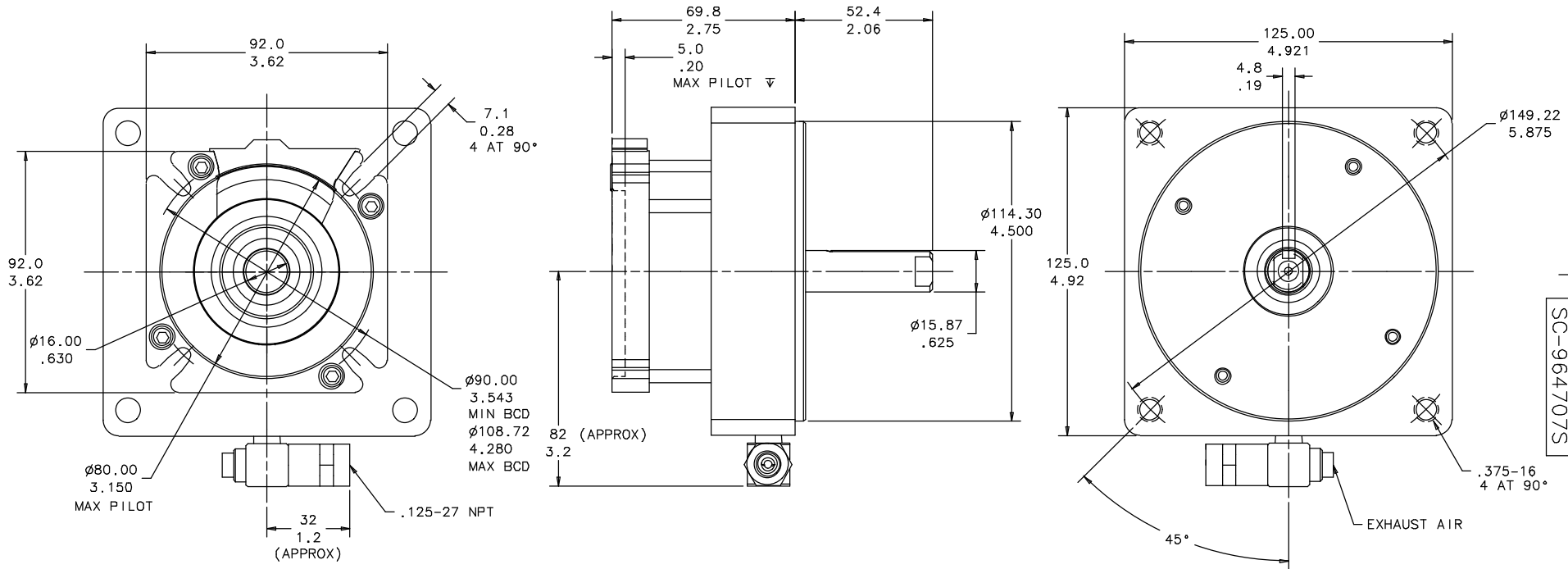
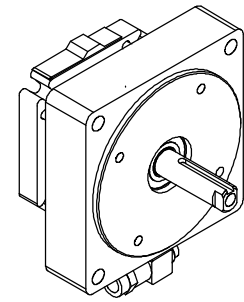


1 2 3 4 5 6 7 8



SC-964707S

GEOMETRIC TOLERANCE VALUES		THIRD ANGLE PROJECTION	
MM	INCH		
.013	.0005		
.03	.001		
.05	.002		
.08	.003		
.13	.005	6.3	250
.20	.008	3.2	125
.25	.010	1.6	63
.38	.015	0.8	32
		0.4	16
		0.2	8

UNLESS OTHERWISE SPECIFIED

1. SURFACE TEXTURE: ✓
2. METRIC TOLERANCES: .X ±0.8; .X ±0.5; .XX ±0.13
3. INCH TOLERANCES: .XX ±.02; .XXX ±.005
4. ANGLES ±.5°
5. PRIMARY DIMENSIONS ARE IN MM
6. SECONDARY DIMENSIONS ARE IN INCHES
7. REMOVE ALL BURRS AND SHARP EDGES
8. DO NOT SCALE DWG - WORK TO DIMS
9. PART MUST CONFORM TO ENGINEERING STANDARD WORK INSTRUCTIONS

nexen Nexen Group, Inc.

TITLE GENERAL DIMENSIONS

MODEL SBP3-.625*-2.063*-4.500*-.375*-5.875*-16.0-NO-STD-SPCL

MATL #	A 14312	01-21-00
REV	ECO	ERO
DATE	01-21-00	DATE
DWN	KGC	SCALE: NONE
CHKD	CDV	WAS
APVD	KBW	SC-964707S

1 2 3 4 5 6 7 8