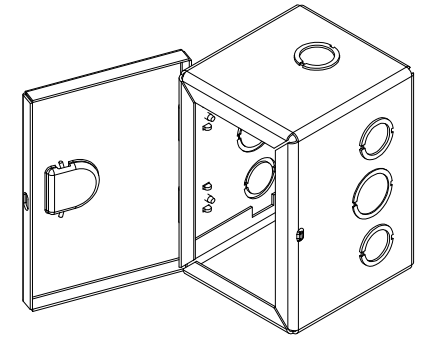
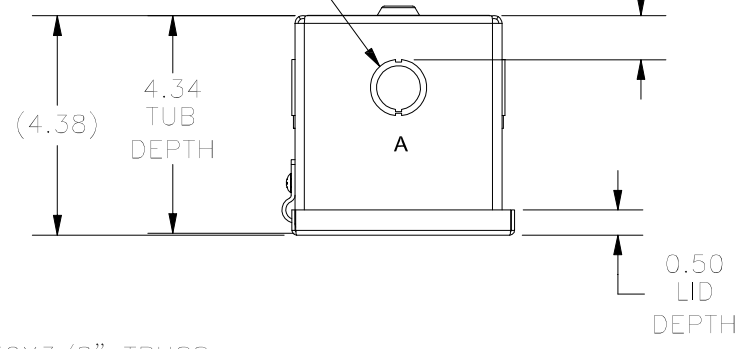


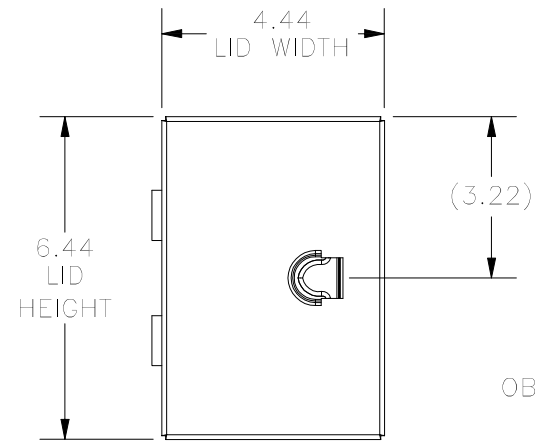
TOP KO DIMENSIONS ARE IDENTICAL TO BOTTOM KO DIMENSIONS

0.88 TYP. FOR ALL FOUR SIDES



8-32X3/8" TRUSS HEAD SCREW AND HINGE CLIP (2 PL.)

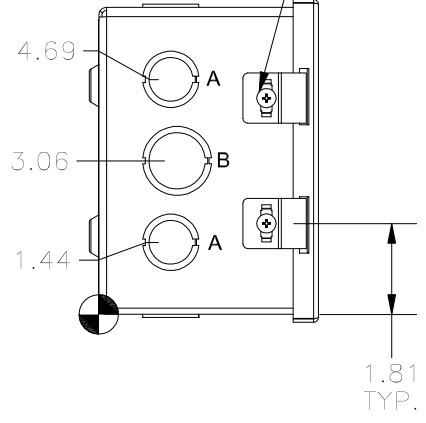
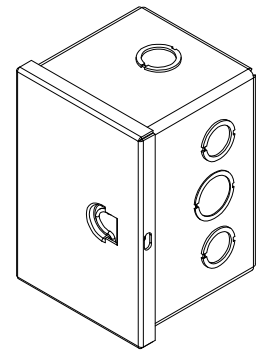
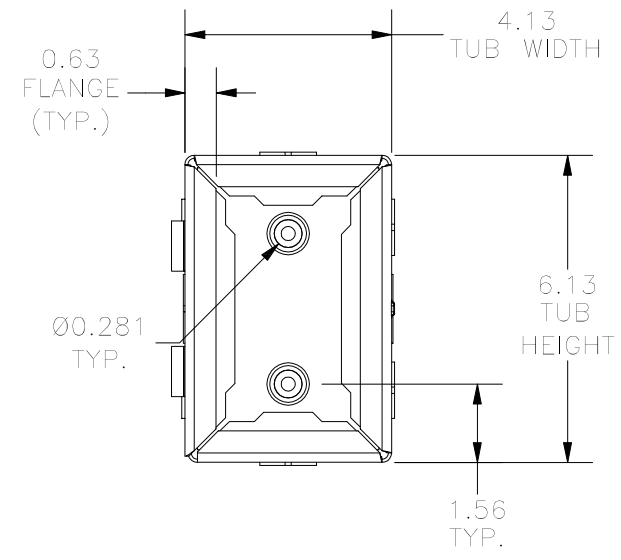
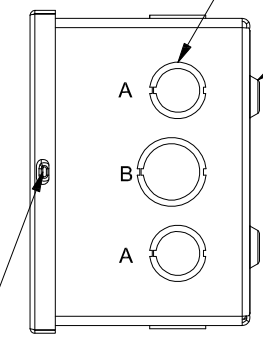
**TOP VIEW**



RIGHT SIDE KO DIMENSIONS ARE IDENTICAL TO LEFT SIDE KO DIMENSIONS

MOUNTING HOLE EMBOSS (2 PL.)

OBROUND CUTOUT AND TAB FOR LATCHING DOOR

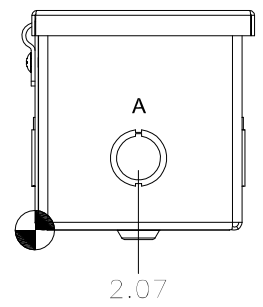


**LEFT SIDE VIEW**

**FRONT VIEW**

**RIGHT SIDE VIEW**

**FRONT VIEW LID REMOVED**



**BOTTOM VIEW**

KNOCKOUT TABLE	
SIZE	DESCRIPTION
A	1/2" TO 3/4"
B	3/4 TO 1"

PART#: A040604  
 (DATA SUBJECT TO CHANGE WITHOUT NOTICE)

THIS DRAWING IS PROPERTY OF HUBBELL INC. WIEGMANN  
 ALL INFORMATION IS PROPRIETARY AND NOT TO BE DUPLICATED