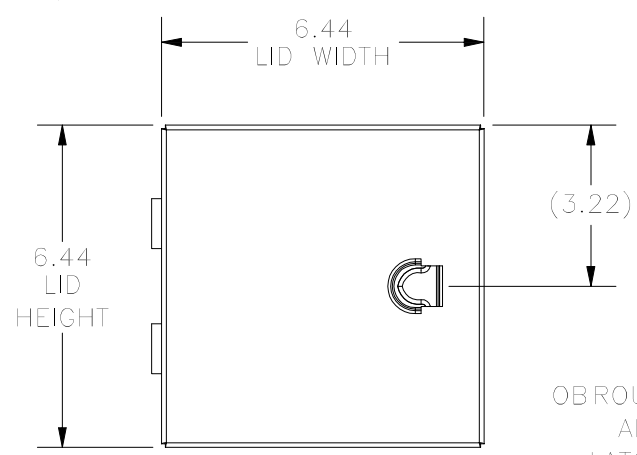


8-32X3/8" TRUSS HEAD SCREW AND HINGE CLIP (2 PL.)

**TOP VIEW**



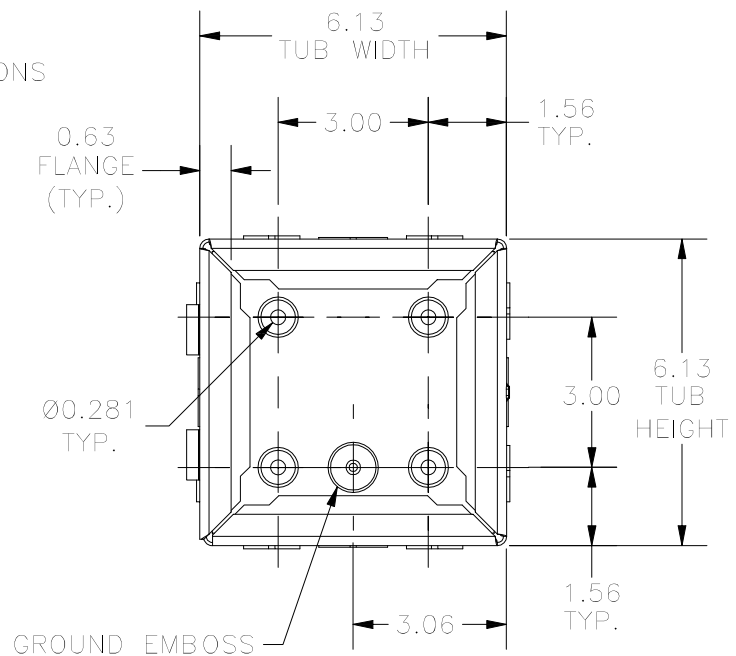
**FRONT VIEW**

RIGHT SIDE KO DIMENSIONS ARE IDENTICAL TO LEFT SIDE KO DIMENSIONS

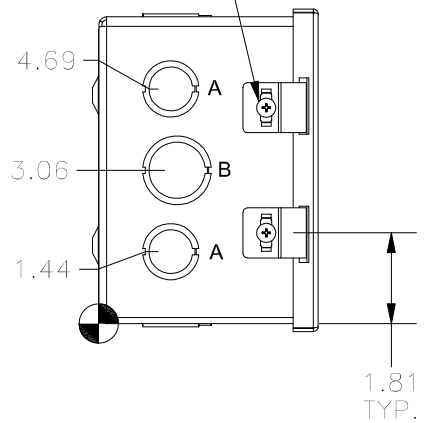
MOUNTING HOLE EMBOSS (4 PL.)

OBROUND CUTOUT AND TAB FOR LATCHING DOOR

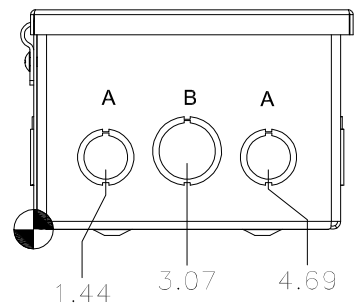
**RIGHT SIDE VIEW**



**FRONT VIEW LID REMOVED**



**LEFT SIDE VIEW**



**BOTTOM VIEW**

KNOCKOUT TABLE	
SIZE	DESCRIPTION
A	1/2" TO 3/4"
B	3/4 TO 1"

PART#: A060604  
 (DATA SUBJECT TO CHANGE WITHOUT NOTICE)

THIS DRAWING IS PROPERTY OF HUBBELL INC. WIEGMANN  
 ALL INFORMATION IS PROPRIETARY AND NOT TO BE DUPLICATED