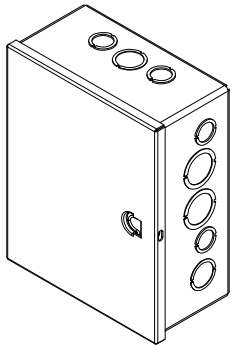
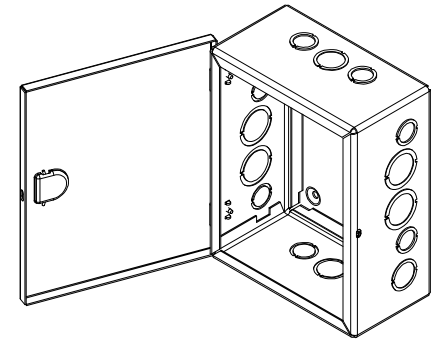
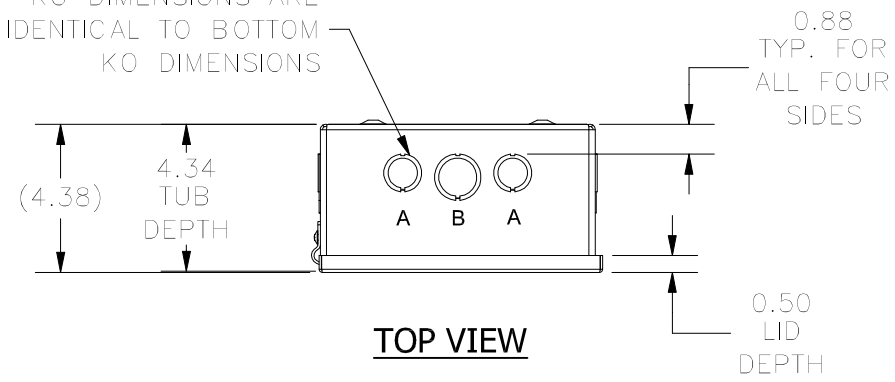
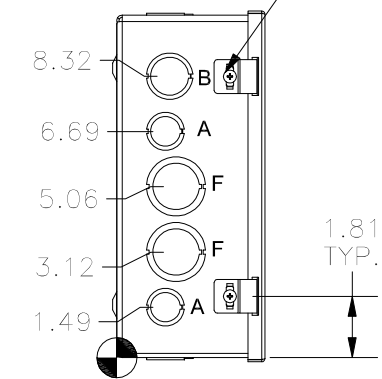


TOP KO DIMENSIONS ARE IDENTICAL TO BOTTOM KO DIMENSIONS

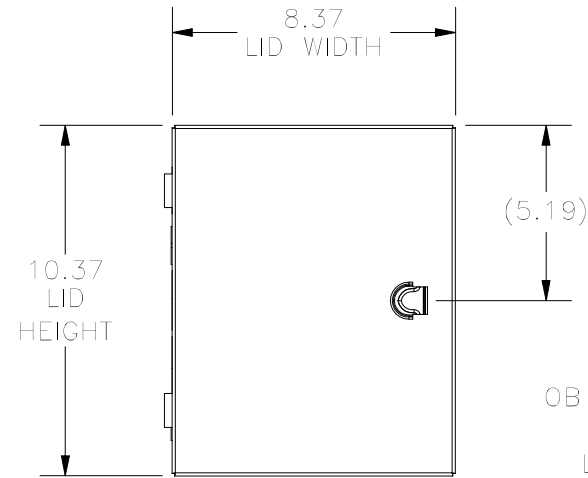


8-32X3/8" TRUSS HEAD SCREW AND HINGE CLIP (2 PL.)

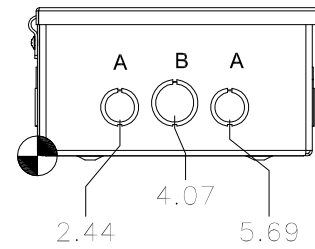
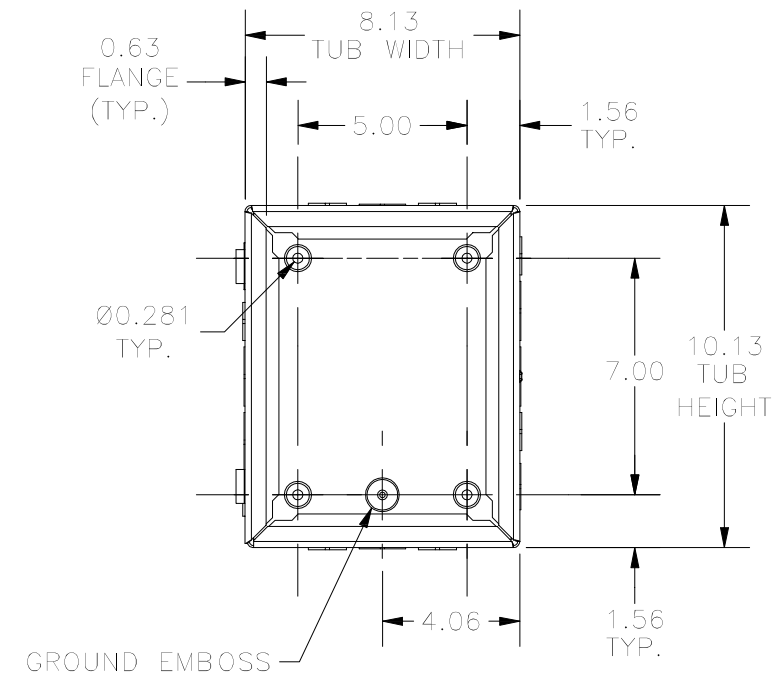
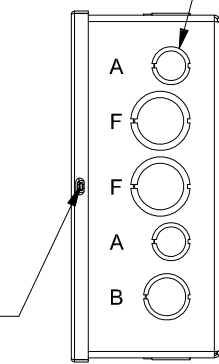


RIGHT SIDE KO DIMENSIONS ARE IDENTICAL TO LEFT SIDE KO DIMENSIONS

MOUNTING HOLE EMBOSS (4 PL.)



OBROUND CUTOUT AND TAB FOR LATCHING DOOR



KNOCKOUT TABLE	
SIZE	DESCRIPTION
A	1/2" TO 3/4"
B	3/4 TO 1"
F	1" TO 1-1/4"

PART#: A081004

(DATA SUBJECT TO CHANGE WITHOUT NOTICE)

THIS DRAWING IS PROPERTY OF HUBBELL INC. WIEGMANN  
ALL INFORMATION IS PROPRIETARY AND NOT TO BE DUPLICATED