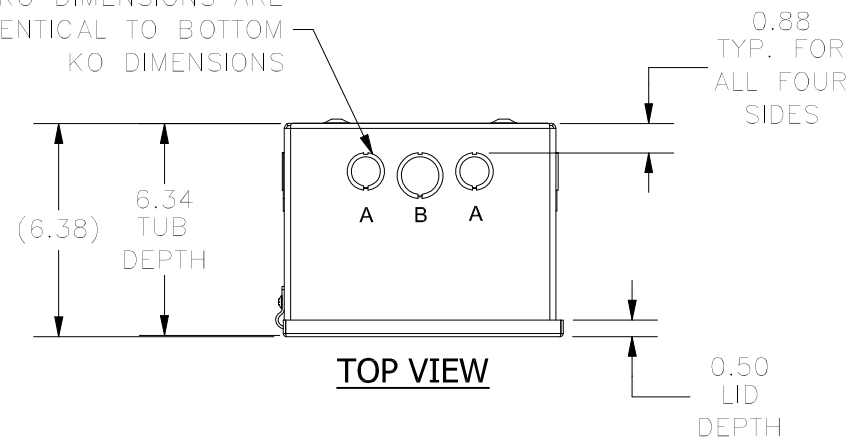
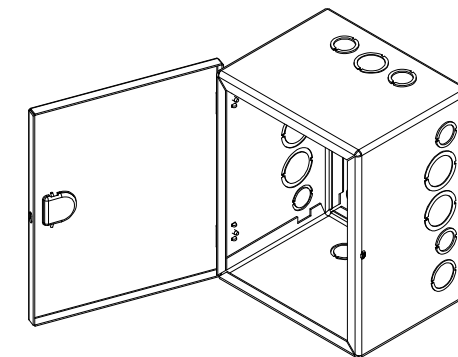


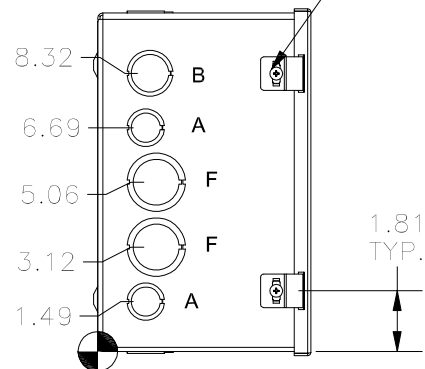
TOP KO DIMENSIONS ARE IDENTICAL TO BOTTOM KO DIMENSIONS



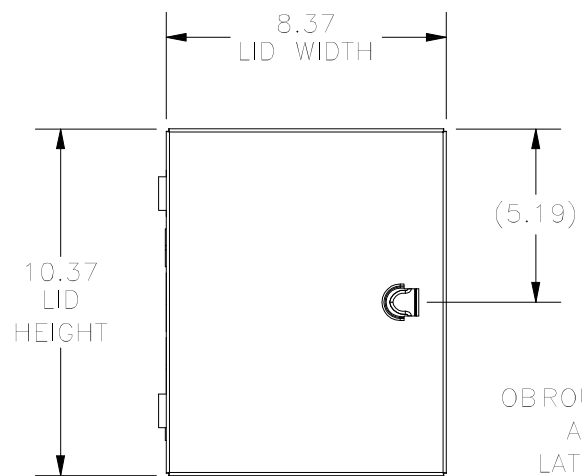
TOP VIEW



8-32X3/8" TRUSS HEAD SCREW AND HINGE CLIP (2 PL.)

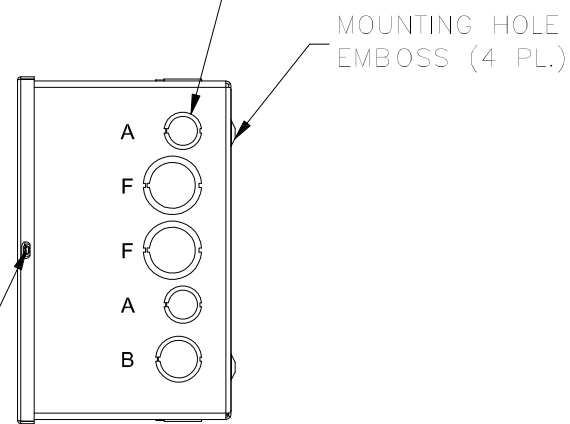


LEFT SIDE VIEW

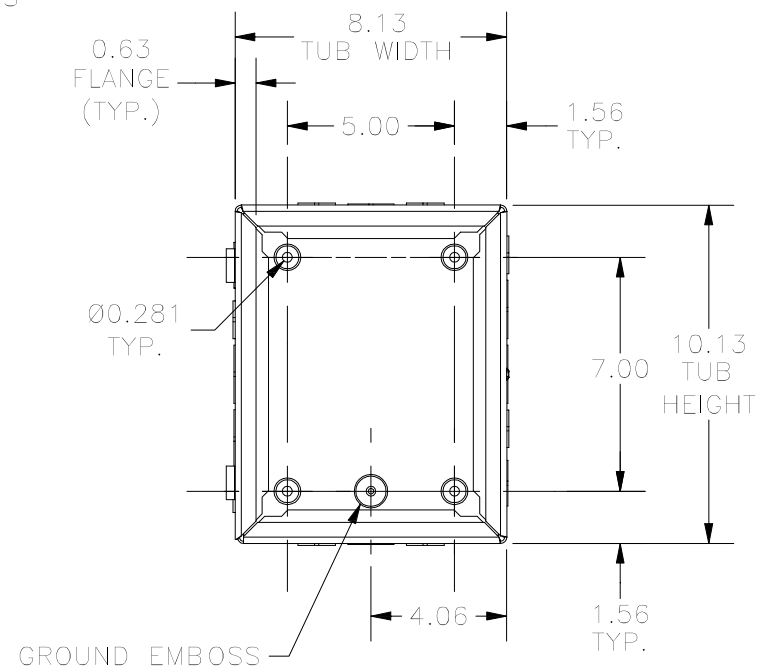


FRONT VIEW

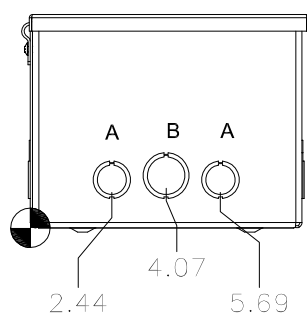
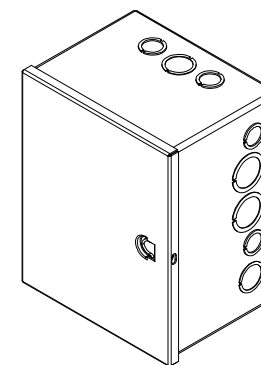
RIGHT SIDE KO DIMENSIONS ARE IDENTICAL TO LEFT SIDE KO DIMENSIONS



RIGHT SIDE VIEW



FRONT VIEW LID REMOVED



BOTTOM VIEW

KNOCKOUT TABLE	
SIZE	DESCRIPTION
A	1/2" TO 3/4"
B	3/4 TO 1"
F	1" TO 1-1/4"

PART#: A081006

(DATA SUBJECT TO CHANGE WITHOUT NOTICE)

THIS DRAWING IS PROPERTY OF HUBBELL INC. WIEGMANN
ALL INFORMATION IS PROPRIETARY AND NOT TO BE DUPLICATED